



Industrial Solutions Partner!

SSD2203-Y

22" LCD, LED backlight, 500nits, FHD(1920x1920)

The SSD2203-Y is a 22 inch color TFT-LCD display with special aspect ratio 1:1 and wide resolution 1920 x 1920. It is LiteMAX's Spanpixel series product which designed for high brightness with power efficiency LED backlight. It provides LCD panel with specific aspect ratios and sunlight readable for digital signage, public transportation, exhibition hall, department store, and vending machine.

Key Features

- Sunlight Readable
- Aspect ratio 1:1
- LED Backlight
- Low Power Consumption
- Slim Bezel
- Wide viewing angle 178°(H)~178°(V)



Specifications

Model Name	SSD2203-Y
Description	22" TFT LCD, 500nits LED backlight, 1920x1920
Screen Size	22"
Display Area (mm)	394.56(H) x 394.56(V)
Brightness	500 cd/m ²
Resolution	1920x1920
Aspect Ratio	1 : 1
Contrast Ratio	650 : 1
Pixel Pitch (mm)	0.2055(H) x 0.2055(V)
Pixel Per Inch (PPI)	123
Viewing Angle	178°(H),178°(V)
Color Saturation (NTSC)	80%
Display Colors	16.7M
Response Time (Typical)	8ms
Panel Interface	LVDS
AD Board Input Interface	Dual-DVI, HDMI, DP
Input Power	DC12V
Power Consumption	35.8W
OSD Key	5 Keys (Power Switch, Menu, +, Exit, -)
OSD Control	Brightness, Color, Contrast, Auto Turing, H/V Position...etc
Dimensions (mm)	412.4x412.4x51.6
Bezel Size(U/B/L/R)	6.9/6.9/6.9/6.9 mm
Weight (Net)	4.5kg
Mounting	200X200
Operating Temperature	0 °C ~ 50 °C
Storage Temperature	-20 °C ~ 60 °C

SSD= Panel + LED Driving Board + AD Control Board + Chassis

Specifications are subject to change without notice.
All brands or product names are trademarks or registered trademarks of their respective companies.

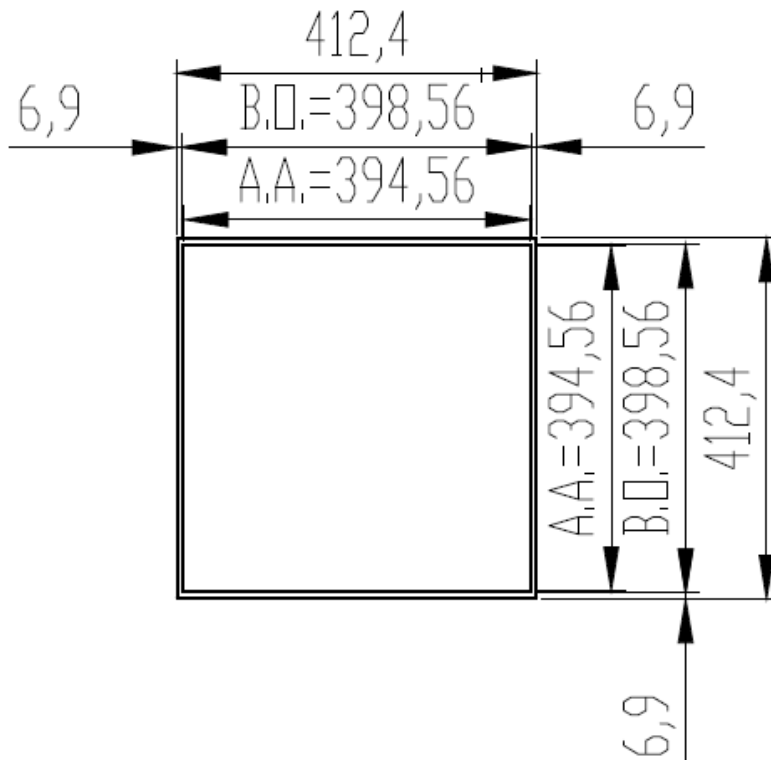
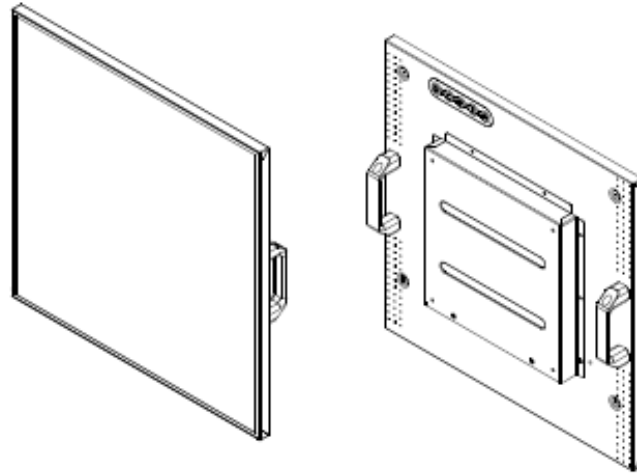


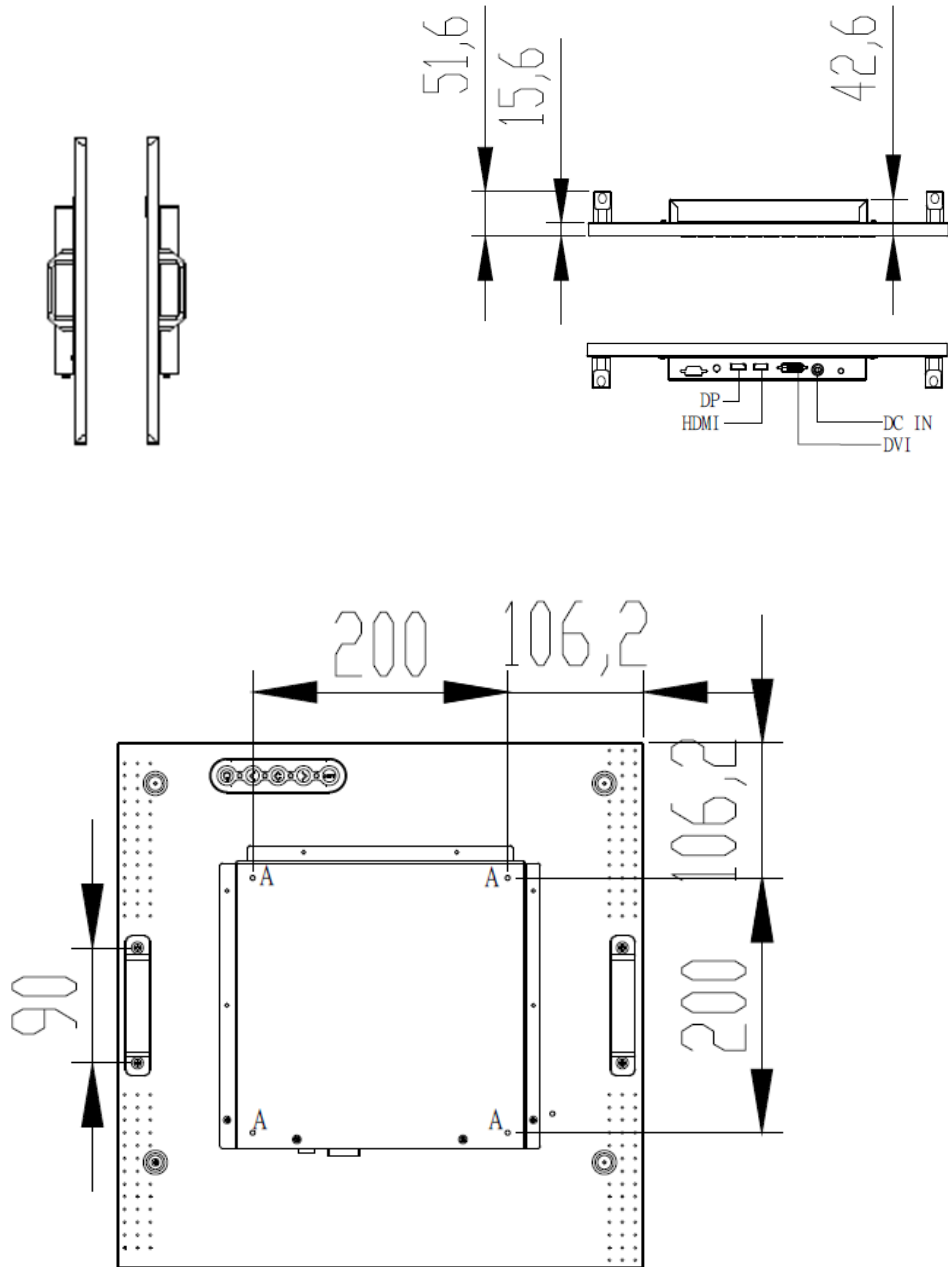
Industrial Solutions Partner!

Mechanical Drawing

Outline Dimensions

Unit:mm





A : 4-M4_USER HOLE_MAX. DEPTH=8mm



Industrial Solutions Partner!

Ordering Information

Part Number	Description
SSD2203-YNB-M01	22",500nits,1920x1920,LID22C,AD9131DHP,O/B,DC12V,3in1,V1

Optional Accessories

Part Number	Description
840612031101	ADAPTER.12V.3.33A.40W.G99-KPL040F-N051.DC Plug 2.1*5.5,P
810618301010	CABLE.POWER.AC.1830mm USA type
810618301090	CABLE.POWER.AC.1830mm Europe type
810618301050	CABLE.POWER.AC.1830mm UK type
810618301170	CABLE.POWER.AC.1830mm Australia type
810618301031	CABLE.POWER.AC.1830mm Japan type

Customer request

Touch	SCT (Single-Touch), PCT (Multi-Touch)
Glass	Tempered glass, AR coating.....

Assured Systems

Assured Systems is a leading technology company with over 1,500 regular clients in 80 countries, deploying over 85,000 systems to a diverse customer base in 12 years of business. We offer high-quality and innovative rugged computing, display, networking and data collection solutions to the embedded, industrial, and digital-out-of-home market sectors.

US

sales@assured-systems.com

Sales: +1 347 719 4508
Support: +1 347 719 4508

1309 Coffeen Ave
Ste 1200
Sheridan
WY 82801
USA

EMEA

sales@assured-systems.com

Sales: +44 (0)1785 879 050
Support: +44 (0)1785 879 050

Unit A5 Douglas Park
Stone Business Park
Stone
ST15 0YJ
United Kingdom

VAT Number: 120 9546 28
Business Registration Number: 07699660