

**iiyama**

PROLITE TF2215MC-B1



**Open Frame PCAP 10 point touch screen equipped with a foam seal finish for seamless integration**

The ProLite TF2215MC-B1 (21.5 inch) uses PCAP touch technology and is built into an eye-catching bezel with edge-to-edge glass. Thanks to a glass overlay covering the screen and a rugged bezel, it guarantees high durability and scratch-resistance, making it perfect for kiosk and high use public facing applications. Equipped with a foam seal finish it supports seamless integration into kiosks and provides IP65 rating resulting in dust and water resistance from the front. Landscape, portrait and face-up orientation ensures flexible mounting possibilities in almost any installation. For ease of integration, the TF2215MC-B1 comes equipped with external mounting brackets making it an ideal solution for kiosk integrators, industrial environments, control rooms and interactive multimedia.



**Touch technology - Capacitive**

This technology uses a sensor-grid of micro-fine wires integrated into the glass that covers the screen. Touch is detected because electrical characteristics of the sensor grid change when human finger is placed on the glass. Thanks to the glass overlay this technology is highly durable, and the touch function remains unaffected even if the glass is scratched. It offers perfect picture performance and will work with human finger (also latex gloved) and stylus-pen.



**Foam Seal**

A foam seal finish (8mm) around the monitor ensures seamless integration and optimal dust protection.

## 01 DISPLAY CHARACTERISTICS

|                         |   |
|-------------------------|---|
| Design                  | Open Frame  |
| Diagonal                | 21.5", 54.6cm   |
| Panel                   | IPS LED   |
| Native resolution       | 1920 x 1080 (2.1 megapixel Full HD)                                   |
| Aspect ratio            | 16:9  |
| Brightness              | 250 cd/m <sup>2</sup> typical   |
| Brightness              | 215 cd/m <sup>2</sup> with touch                                      |
| Static contrast         | 1000:1 with touch   |
| Light transmittance     | 85%   |
| Response time           | 14ms  |
| Viewing zone            | horizontal/vertical: 178°/178°, right/left: 89°/89°, up/down: 89°/89° |
| Horizontal Sync         | 30 - 82KHz  |
| Vertical Sync           | 56 - 75Hz   |
| Viewable area W x H     | 476.64 x 268.11mm, 18.9 x 10.6"                                       |
| Pixel pitch             | 0.24795mm   |
| Bezel colour and finish | black   |

## 02 TOUCH

|                             |   |
|-----------------------------|---|
| Touch technology            | projective capacitive   |
| Touch points                | 10 (HID, only with supported OS)  |
| Touch method                | stylus, finger, glove (latex)   |
| Touch interface             | USB   |
| Supported operating systems | All iiyama monitors are Plug & Play and compatible with Windows and Linux. For details regarding the supported OS for the touch models, please refer to the driver instruction file available in the downloads section. |

## 03 INTERFACES / CONNECTORS / CONTROLS

|                      |                           |
|----------------------|---------------------------|
| Analog signal input  | VGA x1                    |
| Digital signal input | HDMI x1<br>DisplayPort x1 |
| Audio output         | Mini jack x1              |
| HDCP                 | yes                       |

## 04 FEATURES

|                           |              |
|---------------------------|--------------|
| 60950 Ball drop test      | yes          |
| Water and dust protection | IP65 (front) |
| OSD key lock              | yes          |

## 05 GENERAL

|                 |   |
|-----------------|---|
| OSD languages   | EN, DE, FR, ES, IT, CN, JP  |
| Control buttons | Menu, Scroll up/ Brightness, Scroll down/ Contrast, Select, Power   |
| User controls   | contrast, brightness, auto adjust, H.position, V.position, H.size, fine, OSD H.position, OSD V.position, OSD timeout, reset, input select, OSD language, colour temperature |
| Plug&Play       | DDC2B   |

**06 MECHANICAL**

|                             |                              |
|-----------------------------|------------------------------|
| Orientation                 | landscape, portrait, face-up |
| VESA mounting               | 100 x 100mm                  |
| Operation temperature range | 0°C - 40°C                   |
| Storage temperature range   | - 20°C - 60°C                |

**07 ACCESSORIES INCLUDED**

|        |   |
|--------|---|
| Cables | power, USB, HDMI, DP  |
| Guides | quick start guide, safety guide   |
| Other  | AC adapter, Touch Panel Driver Disk (CD-ROM), L-Bracket, external control pad |

**08 POWER MANAGEMENT**

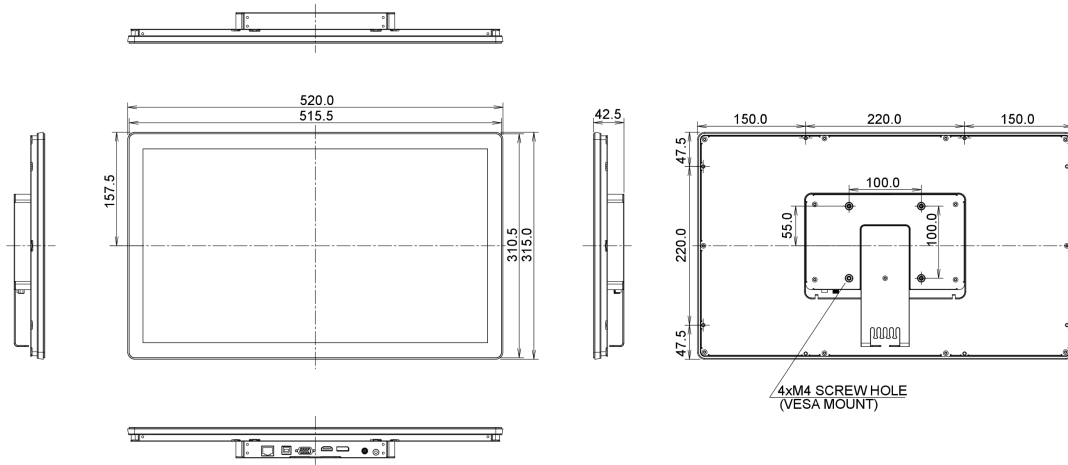
|                   |   |
|-------------------|---|
| Power supply unit | external                                  |
| Power supply      | DC 12 V                                   |
| Power usage       | 19W typical, 1.2W stand by, 1.2W off mode |

**09 SUSTAINABILITY**

|                         |                               |
|-------------------------|-------------------------------|
| Regulations             | CB, CE, TÜV-Bauart, CU, cULus |
| Energy efficiency class | A                             |
| Other                   | REACH SVHC above 0.1%: Lead   |

**10 DIMENSIONS / WEIGHT**

|                              |                      |
|------------------------------|----------------------|
| Product dimensions W x H x D | 315 x 519.9 x 42.5mm |
| Weight (without box)         | 4.4kg                |
| EAN code                     | 4948570115914        |



## 11 EU ENERGY EFFICIENCY LABEL

|                           |                            |
|---------------------------|----------------------------|
| Manufacturer              | Iiyama                     |
| Model                     | ProLite TF2215MC-B1        |
| Energy efficiency class   | A                          |
| Visible screen diagonal   | 55cm; 21.5"; (22" segment) |
| ON mode power consumption | 21W                        |
| Annual energy consumption | 30kWh/annum*               |
| Power in Standby          | 1.2W stand by              |
| Resolution                | 1920 x 1080                |

This is information under Regulation (EU) No 1062/2010.\*Based on the power consumption of the television operating 4 hours per day for 365 days. The actual energy consumption will depend on how the television is used.

All trademarks and registered trademarks acknowledged. E & O E. Specification subject to change without notice. All LCD's comply with ISO-9241-307:2008 in connection with pixel defects.

© IIYAMA CORPORATION. ALL RIGHTS RESERVED

## Assured Systems

Assured Systems is a leading technology company with over 1,500 regular clients in 80 countries, deploying over 85,000 systems to a diverse customer base in 12 years of business. We offer high-quality and innovative rugged computing, display, networking and data collection solutions to the embedded, industrial, and digital-out-of-home market sectors.

### US

[sales@assured-systems.com](mailto:sales@assured-systems.com)

Sales: +1 347 719 4508  
Support: +1 347 719 4508

1309 Coffeen Ave  
Ste 1200  
Sheridan  
WY 82801  
USA

### EMEA

[sales@assured-systems.com](mailto:sales@assured-systems.com)

Sales: +44 (0)1785 879 050  
Support: +44 (0)1785 879 050

Unit A5 Douglas Park  
Stone Business Park  
Stone  
ST15 0YJ  
United Kingdom

VAT Number: 120 9546 28  
Business Registration Number: 07699660