

NDiS M535

Embedded Computer Powered by 6th Gen. Intel® Core™ Processor
OPS-Based Digital Signage Platform, Support 4K(HDMI 2.0) Resolution



Main Features

- 6th generation Intel® Core™ Processor
- Intel® integrated HD 530 graphic engine
- Support 3 independent 4K2K video out
- Dual DDR4 SO-DIMM support
- WWAN/WLAN/TV Tuner support
- DirectX® 12 support

Product Overview

NDiS M535 is an OPS-compliant media player powered by 6th generation Intel® Core™ processors. Following open pluggable standard, NDiS M535 can perfectly fit into a myriad of OPS-panels and is compact in size. Yet, NDiS M535 has high scalability, allowing for easy storage capacity expansion through pluggable 2.5" storage unit and effortless functional extension through Mini Card expansion modules. Changing system memory is also made simple. In addition, NDiS M535 leverages the future generation Intel® Core™ processors to deliver outstanding graphics support 3 independent 4K2K video output. The superb but power-efficient NDiS M535 can therefore maximize visual impacts for digital signage applications.

Specifications

CPU Support

- 6th generation Intel® Core™ i5-6440EQ 2.7GHz BGA type processor
- 6th generation Intel® Core™ i7-6820EQ 2.8GHz BGA type processor

Chipset

- Intel® QM170 PCH

Graphic

- Intel® integrated HD 530 graphics

Main Memory

- 2 x 260pin SO-DIMM Sockets, Supports DDR4 1866/2133 MHz non-ECC, un-buffered memory up to 32G (Single socket max. 16GB)

I/O Interface-Front

- 1 x Power button with LED
- 1 x Reset button
- 1 x RJ45 with LEDs for Gigabit LAN
- 1 x HDMI 2.0 (A type), 1 x Mini DP
- 2 x USB 3.0
- 1 x 2.5" HDD/SSD slot
- 1 x HDD Active LED
- 2 x Antenna hole
- 1 x Mic-in phone jack
- 1 x Line-out phone jack

I/O Interface-Rear

- 1 x TMDS (HDMI)

- 1 x USB 3.0
- 2 x USB 2.0
- 1 x UART (TX/RX)
- 1 x Audio out L/R
- DC input +12V~+19V
- Control signals (PWR_STATUS, PS_ON#, PB_DET, CEC, SYS_FAN)

Storage Device

- 1 x SATA 2.5" HDD/SSD

Expansion

- 1 x mini-PCIe for optional WLAN/TV tuner module
- 1 x Micro SIM Slot

Dimensions

- 200mm (W) x 119mm (D) x 30mm (H) (7.8" x 4.7" x 1.1")

Power Power Supply

- DC power input +12V ~ +19V

Environment

- Operating temperature: ambient with air flow from 0°C to 45°C
- Storage temperature: -20°C to 80°C
- Humidity: 10 to 90% (non-condensing)

Certification

- CE/FCC Class A

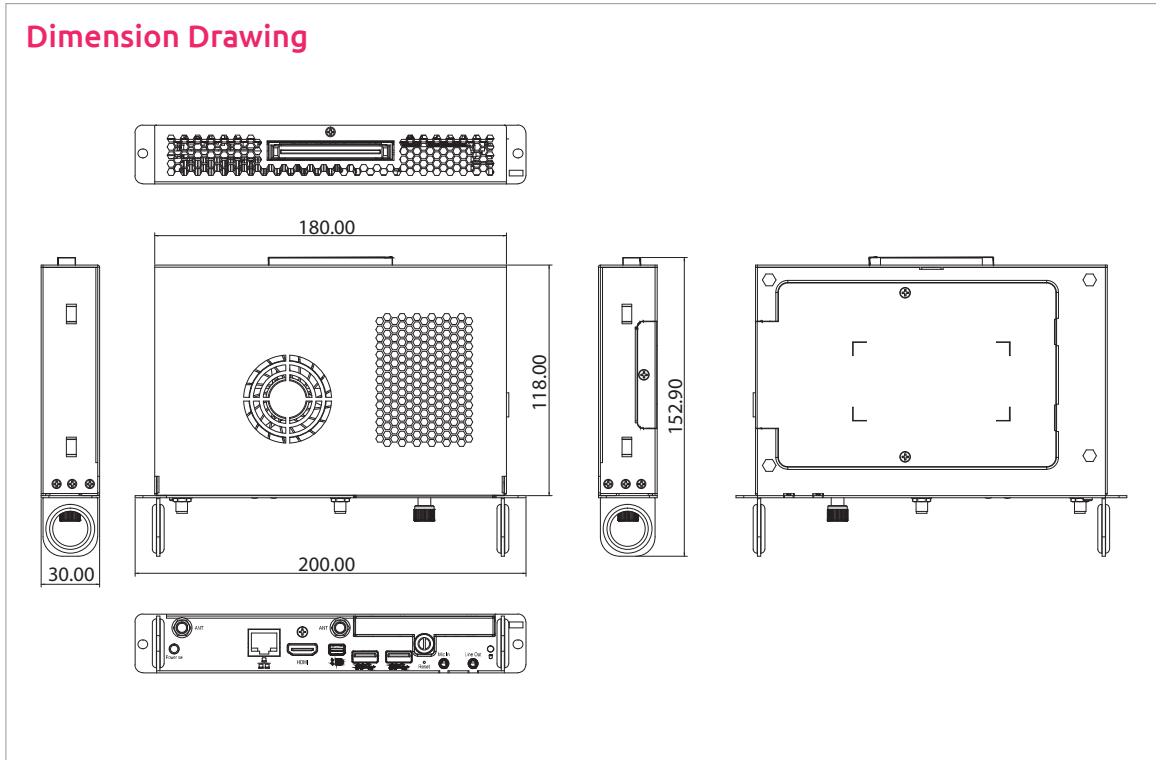
Operating System

- Win7 (32/64bit)/Win8.1 (64bit)/Win10 (64bit)

www.nexcom.com



Dimension Drawing



Ordering Information

- NDiS M535 (P/N: 10W00M53500X0)**
 6th generation Intel® Core™ i5-6440EQ BGA type processor OPS,
 Intel® QM170 chipset
- NDiS M535-6820EQ (P/N: 10W00M53501X0)**
 6th generation Intel® Core™ i7-6820EQ BGA type processor OPS,
 Intel® QM170 chipset

Assured Systems

Assured Systems is a leading technology company with over 1,500 regular clients in 80 countries, deploying over 85,000 systems to a diverse customer base in 12 years of business. We offer high-quality and innovative rugged computing, display, networking and data collection solutions to the embedded, industrial, and digital-out-of-home market sectors.

US

sales@assured-systems.com

Sales: +1 347 719 4508
Support: +1 347 719 4508

1309 Coffeen Ave
Ste 1200
Sheridan
WY 82801
USA

EMEA

sales@assured-systems.com

Sales: +44 (0)1785 879 050
Support: +44 (0)1785 879 050

Unit A5 Douglas Park
Stone Business Park
Stone
ST15 0YJ
United Kingdom

VAT Number: 120 9546 28
Business Registration Number: 07699660