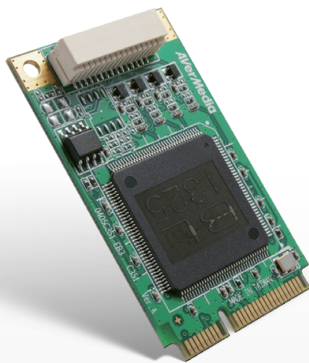


AVerMedia

C351

Quad SD Mini-PCIe Capture Card



Features

- PCI Express Mini Card form factor
- Composite input interface
- Low power consumption (1.5 Watts)
- 4-channel concurrent video capturing

Introduction

The C351 is a PCI Express Mini video capture card capable of preserving up to four channels simultaneously from multiple input sources. The exclusive hardware design of C351 guarantees a fast response and solid performance for high-density SD capture and encoding demands. The C351 can ingest and capture composite sources for monitoring, archiving or analyzing SD video content with more flexibilities and possibilities.

It is endowed with full functions that required to performing SD video capture for industrial and commercial markets such as data recorder, medical imaging, machine vision or any industrial imaging. commits to shorten the development schedule and providing integrators with a complete and rugged solution towards building their own applications.

Mini PCIe Compact Form Factor

The compact form factor design from a PCI Express Mini Card is perfect to fit into small-footprint embedded system. Also available for vibration-proof lock hole specifically suits for in-vehicle, military and industrial applications.

4 channel concurrent capture solution

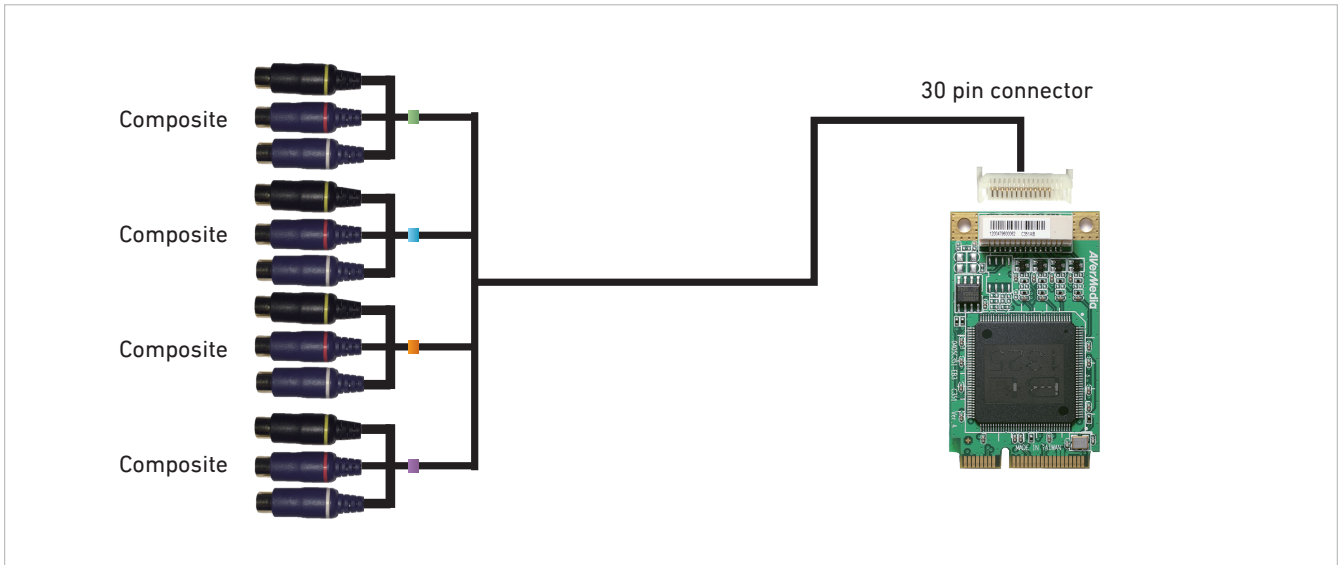
The C351 features 4 parallel composite video input interfaces, allowing for more versatility with in a compact card. With 4 channel input the C351 is powerful enough to provide concurrent capture of all 4 video channel at the highest performance while still keeping great video quality.

Support composite Standard (NTSC/PAL)

Capture and digitize NTSC/PAL analog video signal equipped with standard composite, s-video and stereo audio inputs to digitize analog video into uncompressed raw digital data in range of SD resolutions. Supporting PAL, NTSC video standards, dedicated design for professionals requiring capture, edit, and backup solutions for analog video.

C351
Quad SD Mini-PCIe Capture Card

Connection Diagram



Specifications

Host Interface	PCI Express Mini Card
Audio Interface	Composite L / R
Audio Format	PCM
Connector Type	30 pin / RCA
Input Interface	Composite
Video Format	YUV
Color Depth	8 bit
Channel No.	4 Ch
Max. Input Resolution	NTSC / PAL
Max. Capturing Resolution	NTSC / PAL
Encoding Mode	Software Encoding

Multi-Channel Support	Yes
Multi-Card Support	Yes
Supported OS	Windows 7/8.1/10 (32/64 bits), Linux (32/64 bits) *
Form factor	Mini Card
Dimension (L x W)	50.80 x 29.85 mm
Power Consumption	1.5W
Operating Temperature	0°C ~ 55°C
Operating Humidity	5% - 80% Relative Humidity
Safety Certification	FCC / CE

*** Linux Services**

- Support Linux kernel 2.6.14 version and later based on V4L2 & ALSA framework
- Driver customization service by request

Versatile SDK

AVerMedia software development kit (SDK), a set of development tools that allows a software engineer to seamlessly integrate video capture modules into application specific systems. Available upon request are the SDK Basic, SDK Pro and to better match each application's specific requirements premium add-on kits.

Ordering Information

- C351 : Quad SD Mini-PCIe Capture Card
- Accessories:
 - 30 pin connector to composite breakout cable (Optional)
- SDK kits
 - SDK Basic
 - SDK Pro (Optional)
 - SDK Premium add-on kits (Optional)

Assured Systems

Assured Systems is a leading technology company with over 1,500 regular clients in 80 countries, deploying over 85,000 systems to a diverse customer base in 12 years of business. We offer high-quality and innovative rugged computing, display, networking and data collection solutions to the embedded, industrial, and digital-out-of-home market sectors.

US

sales@assured-systems.com

Sales: +1 347 719 4508

Support: +1 347 719 4508

1309 Coffeen Ave
Ste 1200
Sheridan
WY 82801
USA

EMEA

sales@assured-systems.com

Sales: +44 (0)1785 879 050

Support: +44 (0)1785 879 050

Unit A5 Douglas Park
Stone Business Park
Stone
ST15 0YJ
United Kingdom

VAT Number: 120 9546 28

Business Registration Number: 07699660