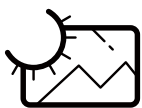


DS SERIES

DS552LT4-M

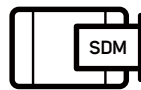
55" Fanless High Brightness Digital Signage Display
Intel® SDM Ready



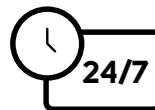
SUNLIGHT
VIEWABLE IMAGE



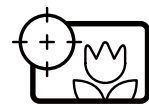
FANLESS



INTEL® SMART
DISPLAY MODULE
COMPATIBLE



24 / 7
OPERATION



TRUECOLOR™
CALIBRATED

FOR MORE INFORMATION

For more information about DynaScan, visit our site at www.dynascandisplay.com. Copyright © DynaScan Technology Inc. All rights reserved. All specifications and descriptions are subject to change without notice. Reproduction without permission is prohibited.

DynaScan

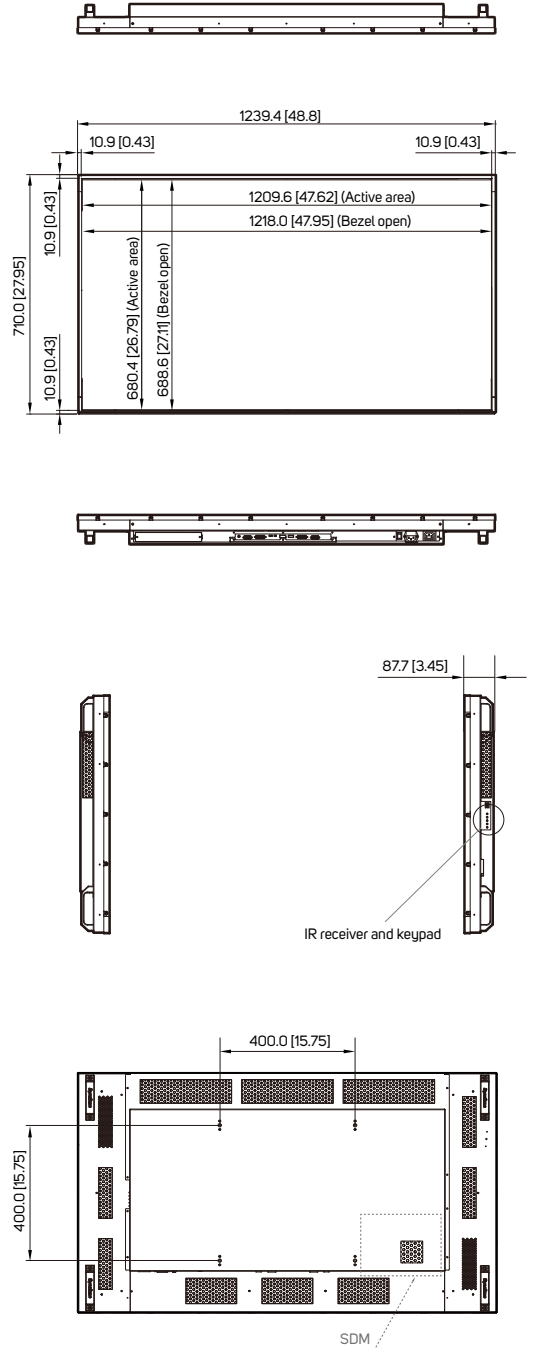
V100

SPECIFICATION

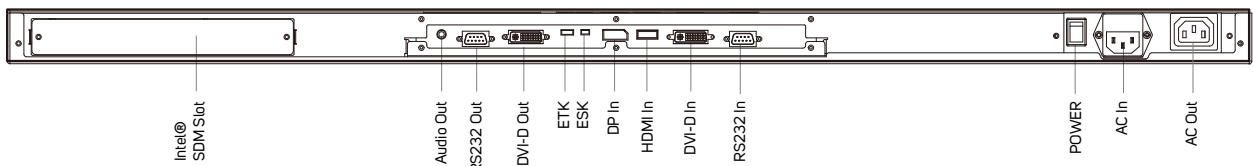
MODEL	DS552LT4-M	
PANEL	LCD Panel Size	54.64 inches LCD
	Native Resolution	1920 x 1080
	Backlight	LED
	Default Color Temperature	D65 (6500 K)
	Brightness	3500 nits
	Color Depth	8 bits
	Contrast Ratio	3000:1
	Response Time	9 ms (Typ.)
	Viewing Angle (H/V)	178° / 178°
	Light Life Time (Typ.)	100,000 hrs
POWER	Panel Surface	AR, 2H
	Blackening Defect Free	Up to 110°C (230°F)
	Viewable With Polarized Lenses	Yes
	Power Supply	Internal
	Rated Voltage	100-240V ~ 50/60Hz
	Power On Mode (Typ./ Max.)	170 W / 290 W
	Power Saving Mode	< 1 W
	AC out	< 100 W
	Bezel Width (T/B/L/R)	Even bezel 10.9 mm
	Cabinet Color	Black
MECHANICAL SPECS	Monitor Dimension (LxHxD)	1239.4 x 710.0 x 87.7 mm
	Monitor Weight	27.5 kg
	Orientation	Portrait / Landscape
	VESA Mounting (LxH)	400 x 400 mm
	Carrying Handles	Yes
	Fanless Design	Yes
	Language	English
	Built-in Video Wall Support	Up to 15x15
	Support SNMP (Up to V3.0)	Yes
	Dimming Control	Yes
USER INTERFACE	Image Retention Protection	Yes
	Auto Orientation Sensor	Yes
	Ambient Light Sensor	Yes
	Power On/Off Scheduling	Yes
	Internal Temperature Sensor	Yes
EXPANSION SLOT FOR INTEL® SDM	OSD Menu Rotation	Yes
	SDM Slot	SDM-S (support with DynaScan extended board) & SDM-L Compatible
	Power Support	Up to 45 W
INPUT	HDMI	x1 (1080p)
	DVI-D	x1
OUTPUT	DisplayPort	x1
	DVI-D	x1
EXTERNAL CONTROL	Audio	x1
	RS-232	In x1, Out x1
ENVIRONMENT	Operating Temperature	0° C ~ 45° C
	Storage Temperature	-20° C ~ 60° C
	Humidity	10% ~ 80% RH Non-condensing
CERTIFICATION	CE / FCC / RoHS	

DIMENSIONS

Unit: mm [inch]



INTERFACE



DynaScan

Assured Systems

Assured Systems is a leading technology company with over 1,500 regular clients in 80 countries, deploying over 85,000 systems to a diverse customer base in 12 years of business. We offer high-quality and innovative rugged computing, display, networking and data collection solutions to the embedded, industrial, and digital-out-of-home market sectors.

US

sales@assured-systems.com

Sales: +1 347 719 4508

Support: +1 347 719 4508

1309 Coffeen Ave
Ste 1200
Sheridan
WY 82801
USA

EMEA

sales@assured-systems.com

Sales: +44 (0)1785 879 050

Support: +44 (0)1785 879 050

Unit A5 Douglas Park
Stone Business Park
Stone
ST15 0YJ
United Kingdom

VAT Number: 120 9546 28

Business Registration Number: 07699660