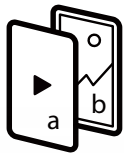


DK SERIES

DK751DH5

75" 4000 nits 4K UHD Outdoor Ultra-High Brightness Hybrid Kiosk with Light Box



HYBRID
DIGITAL & STATIC



VANDAL
RESISTANT



SUNLIGHT
VIEWABLE IMAGE



SMART
LIGHT BOX



WEATHER
PROOF

FOR MORE INFORMATION

For more information about DynaScan, visit our website at www.dynascandisplay.com. Copyright © DynaScan Technology Inc. All rights reserved. All specifications and descriptions are subject to change without notice. Reproduction without permission is prohibited.

DynaScan

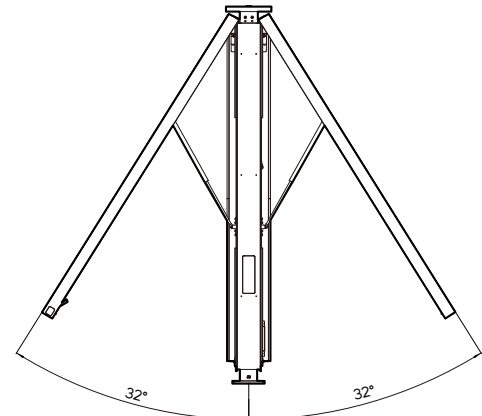
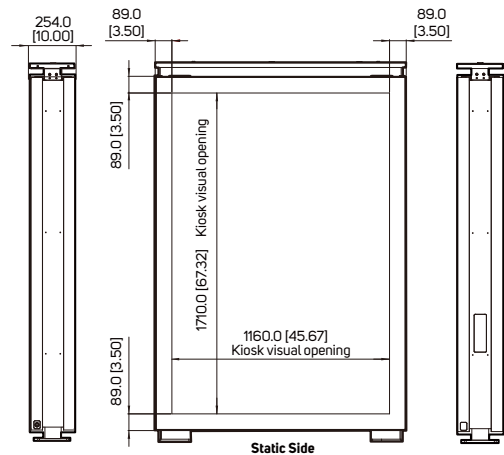
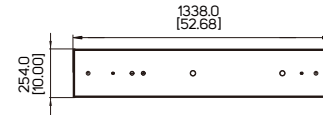
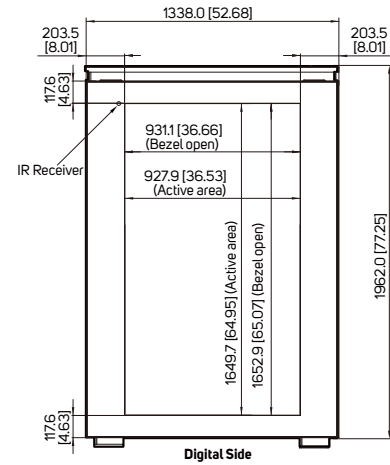
V1.02

SPECIFICATION

MODEL	DK751DH5	
LCD Panel Size	74.52"	
Native Resolution	3840 x 2160	
Brightness (w/o glass)	4,000 nits	
Color Depth	10 bits	
Contrast Ratio	3000 : 1	
Response Time (Typ.)	8 ms	
Viewing Angle	178° / 178°	
Light Lifetime (Typ.)	100,000 hrs	
Blackening Defect Free	Up to 110°C (230°F)	
Polarized Sunglasses Support	Yes	
Bezel Width (T/B/L/R)	89 / 89 / 89 / 89 mm	
POSTER	1200 x 1800 mm	
Kiosk Visual Opening (WxH)	1160 x 1710 mm	
Digital Side Bezel Width (T/B/L/R)	117.6 / 117.6 / 203.5 / 203.5 mm	
Cabinet Color	Black	
Dimension (WxHxD, w/o stand)	1338.0 x 1962.0 x 254.0 mm	
MECHANICAL	Weight < 350 kg [TBD] (lightbox excluded)	
SPECS	Orientation: Portrait	
	Glass: Yes	
	Air Vent: Yes	
	Key Lock (Option): Yes	
POWER	Power Supply: Internal	
	Rated Voltage: 100-240V ~ 50/60HZ	
	Power On Mode (Typ./ Max): 600 W / 1200 W [Basic]	
	Language: English	
	Support SNMP (Up to V3.0): Yes	
	Dimming Control: Yes	
FEATURE	Image Retention Protection: Yes	
	Ambient Light Sensor: Yes	
	Power On/Off Scheduling: Yes	
	Internal Temperature Sensor: Yes	
INPUT	HDMI: x3 (2160p)	
	Display Port: x1	
	USB 3.0: x1	
	Micro SD Slot: x1	
EXTERNAL CONTROL	RS-232: In x1	
	RJ-45: x2 (LAN)	
ENVIRONMENT	Operating Temperature: -30°-50° C	
	Humidity: 10% ~ 100% RH Non-condensing	
	Water and Dust resistant design: IP56	
CERTIFICATION	CE / IEC60950-22 / RoHS	

DIMENSIONS

Unit: mm [inch]



Assured Systems

Assured Systems is a leading technology company with over 1,500 regular clients in 80 countries, deploying over 85,000 systems to a diverse customer base in 12 years of business. We offer high-quality and innovative rugged computing, display, networking and data collection solutions to the embedded, industrial, and digital-out-of-home market sectors.

US

sales@assured-systems.com

Sales: +1 347 719 4508
Support: +1 347 719 4508

1309 Coffeen Ave
Ste 1200
Sheridan
WY 82801
USA

EMEA

sales@assured-systems.com

Sales: +44 (0)1785 879 050
Support: +44 (0)1785 879 050

Unit A5 Douglas Park
Stone Business Park
Stone
ST15 0YJ
United Kingdom

VAT Number: 120 9546 28
Business Registration Number: 07699660