

## AVS-522-EH1EQ1

9th Gen. Intel Core i7/i5/i3 Processor Vertical Application for Machine Vision System

Industrial Panel PC

HMI Cotroller

Industrial Display Monitor

Machine Vision



### Features

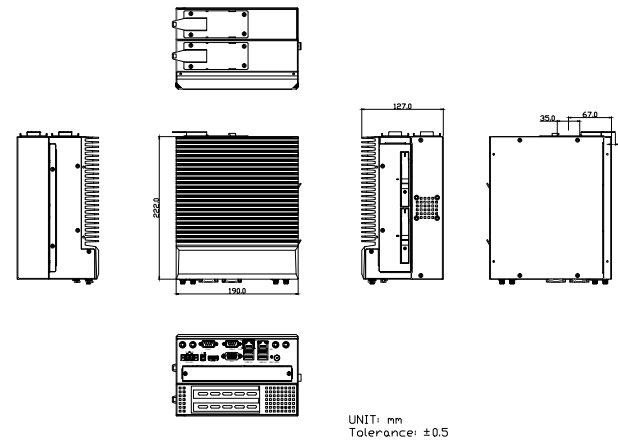
- Vertical System for Machine Vision
- 9th Gen. Intel Core i7/i5/i3 Processors
- Support with DDR4 (2666MHz) SO-DIMM up to 64GB
- Removable Drive-bays
- Support extensive GPU Card(75W) expansion
- CPU(35W) Fan-less Design and GPU Card Expansion
- Flexible expansion features through I/O module design

### Specifications

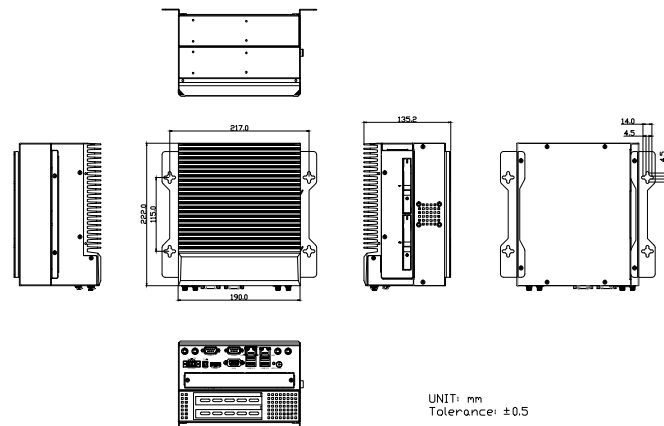
System	
CPU	9th Gen. Intel Core i7/i5/i3 Processor
System Chipset	Q370
Memory	2 x 260-pin DDR4 SO-DIMM memory, up to 64GB
IO Port	
USB	4 x USB 3.2 Gen1 type A 1 x internal USB2.0 Type A for dongle
Serial/Parallel	1 x RS-232/422/485 DB-9 (COM1, default RS-232) 1 x RS-232 DB-9 (COM2)
Graph	1 x VGA 1 x HDMI
LAN	2 x GbE LAN, RJ-45 by intel I210(I211)AT and i219LM controller
Power	1 x 3-pin DC power input terminal block 1 x 2-pin power switch 1 x Power button with light
Storage Space	
HDD	2 x 2.5" SATA HDD/SSD, Easy-swappable HDD tray
Expansion	
On Board Expansion Bus	1 x Full size Mini-PCIe slot 1 x M.2 M key 2280/2242 support NVMe
Riser	1 x PCIe-16, 1 x PCIe-4, default
Power	
Power Input	DC 9~36V
Power Consumption	Max: 150W
Mechanical	
Construction	Plating Titanium Gray Aluminum Heatsink and Black Steel Chassis
Mounting	Wall Mount (default) & Din Rail (option)
Dimensions	222 x 190 x 127mm
Net Weight	4.2 kg
Environmental	
Operating Temperature	-20°C~60°C (for i3/i5 model) / -20°C~50°C (for i7 model)
Storage Temperature	-40°C~85°C
Storage Humidity	10 to 90% @ 40°C, non-condensing
Vibration	1G / 5 ~ 500Hz (Random) / operation
Shock	15G peak acceleration(11 msec. duration) / operation
Drop	92cm(1 Corner, 3 Edge, 6 Surface)
Certificate	Meet CE/FCC Class A
Operating System Support	
Win10 IoT, Windows 11, Linux Kernel 4.15 (Ubuntu 16.04.4)	

### Dimensions

#### Din Rail



#### Wall Mount



## Assured Systems

Assured Systems is a leading technology company with over 1,500 regular clients in 80 countries, deploying over 85,000 systems to a diverse customer base in 12 years of business. We offer high-quality and innovative rugged computing, display, networking and data collection solutions to the embedded, industrial, and digital-out-of-home market sectors.

### US

[sales@assured-systems.com](mailto:sales@assured-systems.com)

Sales: +1 347 719 4508  
Support: +1 347 719 4508

1309 Coffeen Ave  
Ste 1200  
Sheridan  
WY 82801  
USA

### EMEA

[sales@assured-systems.com](mailto:sales@assured-systems.com)

Sales: +44 (0)1785 879 050  
Support: +44 (0)1785 879 050

Unit A5 Douglas Park  
Stone Business Park  
Stone  
ST15 0YJ  
United Kingdom

VAT Number: 120 9546 28  
Business Registration Number: 07699660