

# R17IW3S-MLA1-89

## 17" Intel® Core™ i7- 8665UE Defence Console Rack Panel PC



### KEY FEATURES

- 17" SXGA TFT LCD, Defence Console Rack Panel PC
- Intel® Core™ i7-8665UE Processor
- Anti-Corrosion Housing / Fanless
- Compliant with MIL-STD-810G/F
- Flush Rack / Rack Mount Mechanical Design (8U)
- Convenient On-Screen Display Controls
- AC 110~240 V Power input default
- Isolation DC 9~36 V Power input (Optional)
- Built-in Light sensor for auto brightness control
- Defence Grade Power & Signal Connector (MILDTL38999/1 & 38999/3)

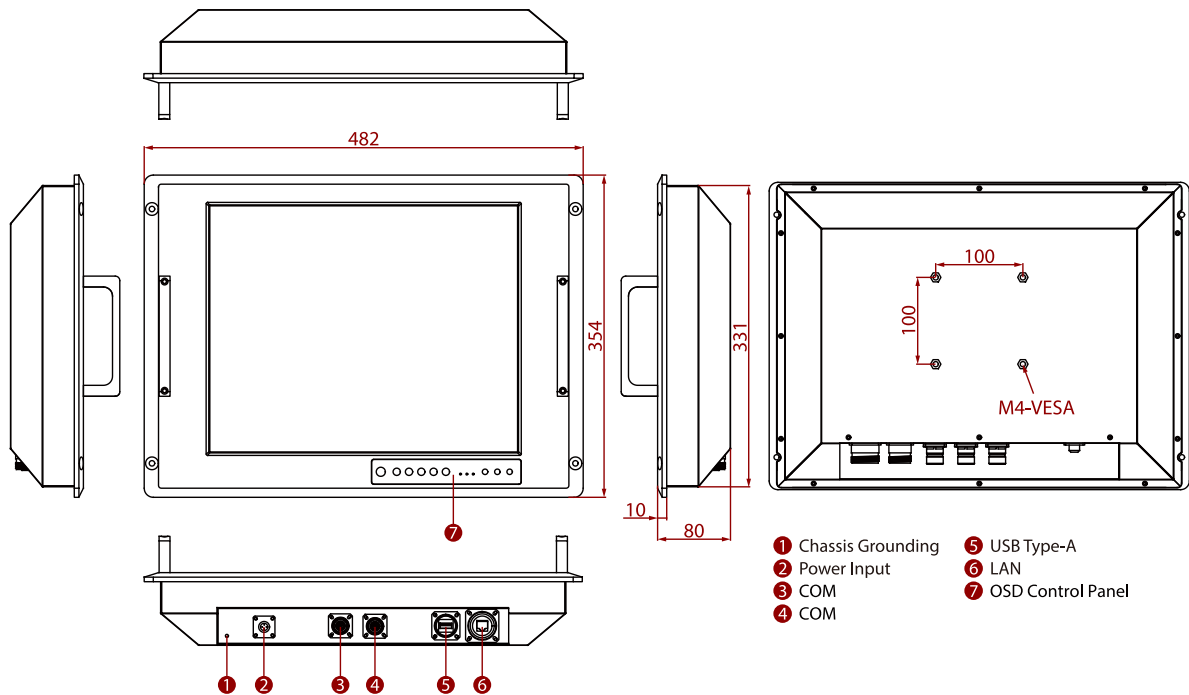


### SPECIFICATIONS

Display			
<b>Resolution</b>	1280x1024	<b>Size</b>	17.0 inches
<b>Contrast Ratio</b>	1000:1	<b>Panel Brightness</b>	350.0 nits
<b>View Angles</b>	85,85,80,80	<b>Active Area</b>	337.920x270.336 mm
<b>Touch / Glass</b>	AR Protection Glass 5 Wires Resistive Touch (Optional) 5 Wire Resistive with EMI Mesh Filter (Optional) EMI Glass (Optional)		
System Specification			
<b>Processor</b>	Intel Core i7-8665UE 1.7GHz (up to 4.4 GHz) Intel Core i5-8265U 1.6GHz (up to 3.9GHz) (Optional)	<b>Memory</b>	1 x SO-DIMM, DDR4 2400 MHz, 4GB 8GB (Optional) 16GB (Optional) 32GB (Optional)
<b>Storage</b>	1 x M.2 2242 B-key SSD 128GB 256GB (Optional) 512GB (Optional) 1 x SATA III for 2.5" SSD/HDD (Optional)	<b>Ethernet controller</b>	Intel® Ethernet Controller I210AT + Intel® Ethernet Connection I219LM
<b>Operating System</b>	Windows 10 IoT Enterprise (64 bit) (Optional)		
Environment			
<b>Operating Humidity</b>	10% to 95% RH	<b>Operating Temperature</b>	-20°C~60°C
<b>Storage Temperature</b>	-30°C~70°C		
Compliance			
<b>MIL-STD 461E/F/G</b>	RE101 / RE102 CE101 / CE102 CS118 with EMI Glass / Touch(Optional) RS101 / RS 103 CS101 / CS 106 / CS 109 / CS 114 / CS 115 / CS 116	<b>MIL-STD 810G/H</b>	Vibration Method 514.6 Humidity Method 507.5 Transit Drop Method516.6
Certification			
<b>Certification</b>	CE, FCC		

IO Ports	
<b>USB Port</b>	1 x USB 2.0 A Type (MIL-DTL-38999/3)
<b>LAN</b>	1 x LAN (MIL-DTL-38999/3)
<b>Serial Port</b>	2 x RS232 (MILDTL38999/3)
Mechanical	
<b>Dimension</b>	482 x 354 x 80 mm
<b>Enclosure</b>	Metal Housing with Aluminum Bezel
<b>Mounting</b>	VESA Mount/ Rack Mount
<b>Cooling System</b>	Fanless Design
Accessory	
<b>Accessory</b>	User Manual (Hardcopy) CD-ROM with Driver Utility Power Cord MIL-DTL-38999/1 RS232 Cable MILDTL38999/3
Power	
<b>Power Rating</b>	AC 100~240V, Universal, ±10% DC 9~36V, ±10% (Optional)
Control	
<b>Button</b>	8 Key OSD Control Pad: Power, Brightness DOWN, Brightness UP, Night, Day, Auto / Manual, Reset, Lock

**DIMENSIONS** UNIT:MM



**NOTE**

1. This is a simplified drawing and some components are not marked in detail.
2. Please contact our sales representative if you need further product information.
3. All specifications are subject to change without prior notice.
4. The product shown in this datasheet is a standard model. For diagrams that contain customized or optional I/O, please contact the Winmate Sales Team for more information.

## Assured Systems

Assured Systems is a leading technology company with over 1,500 regular clients in 80 countries, deploying over 85,000 systems to a diverse customer base in 12 years of business. We offer high-quality and innovative rugged computing, display, networking and data collection solutions to the embedded, industrial, and digital-out-of-home market sectors.

### US

[sales@assured-systems.com](mailto:sales@assured-systems.com)

Sales: +1 347 719 4508  
Support: +1 347 719 4508

1309 Coffeen Ave  
Ste 1200  
Sheridan  
WY 82801  
USA

### EMEA

[sales@assured-systems.com](mailto:sales@assured-systems.com)

Sales: +44 (0)1785 879 050  
Support: +44 (0)1785 879 050

Unit A5 Douglas Park  
Stone Business Park  
Stone  
ST15 0YJ  
United Kingdom

VAT Number: 120 9546 28  
Business Registration Number: 07699660