

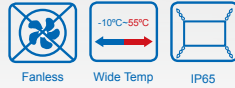
Rugged Display



Model:R08T200-VMU1

Product Features:

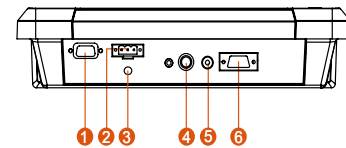
- High Quality 8.4" panel, 800 x 600 resolution, 600 nits
- 5 wire / 4 wire resistive touch screen
- -10 ~ +55°C Wide Range Operating Temperature
- Anti-Corrosion housing with Fanless Design
- IP65 Dust & Waterproof Protection (Except I/O ports)
- 9V ~ 36V DC Isolation Wide Range Power Input



Product Specifications:

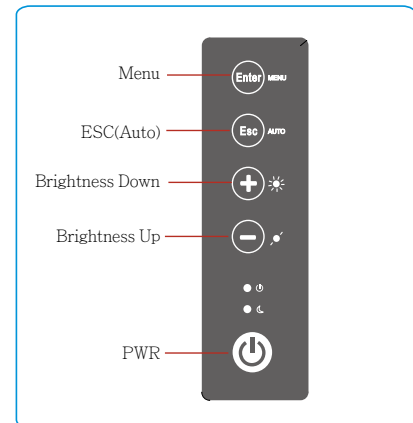
| | | |
|------------------------|---------------------------------|---|
| Display | Model Name | R08T200-VMU1 |
| | Size | 8.4" |
| | Resolution (pixels) | 800 x 600 |
| | Number of Colors | 232, 144 (6bits/color) |
| | Brightness (cd/m ²) | 600(typ.) |
| | Contrast Ratio | 600:1(typ.) |
| | Viewing Angle | -75~75 (H) ; -70~60 (V) |
| | Active Area | 170.4 (H) x 127.8 (V) |
| Input / Output | Touch (optional) | 5 wire resistive / 4 wire resistive |
| | | 1 x RS-232 or USB for Touch (Optional) |
| | | 1 x 9~36V Terminal Block (Default) |
| | | 1 x DC Lockable Input (Optional) |
| | | 1 x S-Video (Optional) |
| | | 1 x Composite (Optional) |
| Environment | Operating Temperature | -10 ~ 55°C |
| | Storage Temperature | -30 ~ 70°C |
| | Humidity | 10 ~ 95% non-condensing |
| | Shock | Compliance with MIL810F |
| | Vibration | Compliance with MIL810F |
| | EMC | CE, FCC ClassB |
| | Reliability | Need to apply 9~36V DC isolation power design |
| Mechanical | Dimension(W x H x D) | 277 x 219.5 x 59.7mm |
| Packing List | | R5W AD Board User's Manual Touch's Driver CD |
| Product Optional Items | Mounting Bracket and Kits | One robust bracket with locking handle (Can adjust from -5deg. to 90deg.) |
| | Video Input | Composite Video, S-Video for optional |
| | Sunlight Readable | Transflective film enhancement for optional |
| | Anti-reflective Glass | 3mm (Replace touch) |

I / O View:

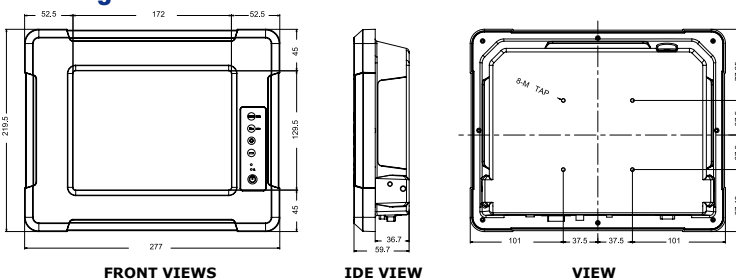


1. RS232 or USB for Touch (Optional)
2. 9-36V DC Terminal Block (Default)
3. DC Lockable Input (Optional)
4. S-Video (Optional)
5. Composite (Optional)
6. VGA

Front OSD Control Function:



Drawing:

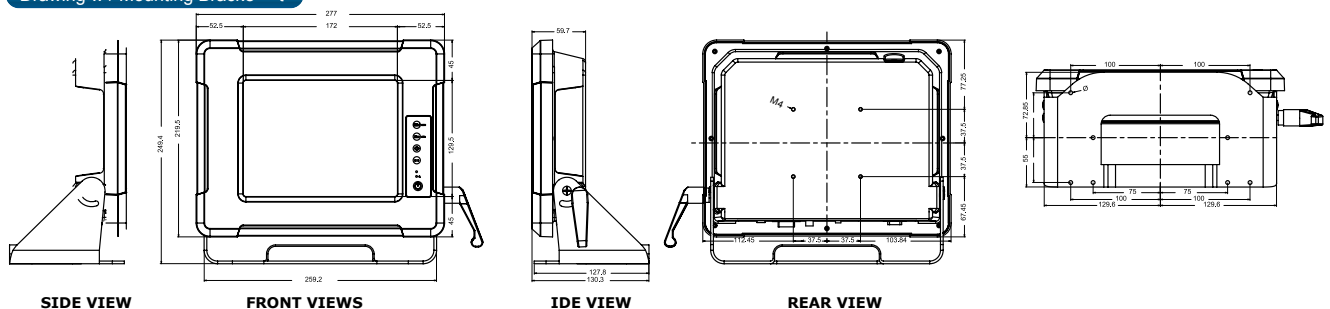


FRONT VIEWS

SIDE VIEW

VIEW

Drawing w / Mounting Bracke t



SIDE VIEW

FRONT VIEWS

SIDE VIEW

REAR VIEW

Assured Systems

Assured Systems is a leading technology company with over 1,500 regular clients in 80 countries, deploying over 85,000 systems to a diverse customer base in 12 years of business. We offer high-quality and innovative rugged computing, display, networking and data collection solutions to the embedded, industrial, and digital-out-of-home market sectors.

US

sales@assured-systems.com

Sales: +1 347 719 4508
Support: +1 347 719 4508

1309 Coffeen Ave
Ste 1200
Sheridan
WY 82801
USA

EMEA

sales@assured-systems.com

Sales: +44 (0)1785 879 050
Support: +44 (0)1785 879 050

Unit A5 Douglas Park
Stone Business Park
Stone
ST15 0YJ
United Kingdom

VAT Number: 120 9546 28
Business Registration Number: 07699660