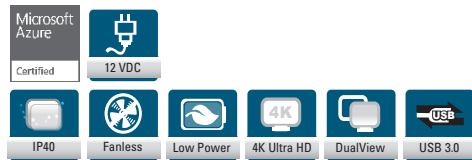


# eBOX100-312-FL

Fanless Embedded System with Intel® Celeron® N3350 & Pentium® N4200, 2 HDMI, 2 GbE LANs and 6 USB

## Features

- Intel® Celeron® N3350 2.4 GHz & Pentium® N4200 2.5 GHz
- Supports 2 HDMI, 1 COM, 6 USB and 2 GbE LANs
- 2 PCI Express Mini Card slots for WLAN and WWAN
- One swappable 2.5" SATA HDD drive bay
- Supports Jumbo Frame (9k), WoL, PXE Remote Boot
- Suitable for smart retail and light industries



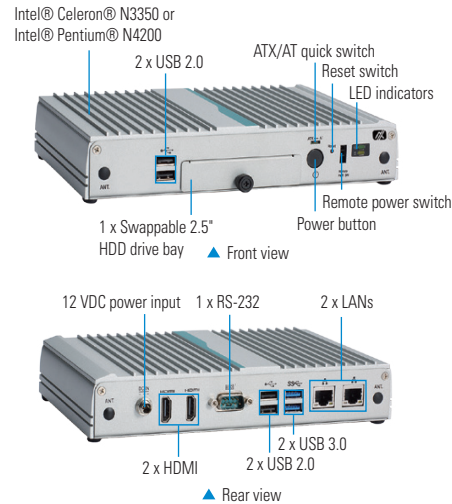
## Specifications

Standard Color	Silver
Construction	Aluminum extrusion and heavy-duty steel, IP40
CPU	Intel® Celeron® N3350 2.4 GHz with turbo boost Intel® Pentium® N4200 2.5 GHz with turbo boost
System Memory	1 x 204-pin DDR3L-1600 SO-DIMM, up to 8GB
Chipset	SoC integrated
BIOS	AMI UEFI BIOS
System I/O Outlet	1 x RS-232 2 x HDMI 1.4b 2 x 10/100/1000 Mbps Ethernet (Intel® i211-AT) 2 x USB 3.0 4 x USB 2.0 4 x Antenna opening 1 x ATX power switch 1 x ATX/AT quick switch 1 x Reset button 1 x Remote power switch 1 x Screw type VDC power input connector
Watchdog Timer	255 levels, 1 to 255 sec.
Storage	1 x SATA HDD drive bay (max. up 9.5 mm height)
Expansion Interface	2 x Full-size PCI Express Mini Card slot (USB + PCIe) 1 x SIM slot
TPM	N/A
System Indicator	1 x green LED for system power-on 1 x orange LED for HDD active
Power Input	12 VDC
Operating Temperature	-5°C to +60°C (+23°F to +140°F) (with W.T. DRAM & SSD)
Storage Temperature	-20°C to +85°C (-4°F to +185°F)
Humidity	10% to 90%, non-condensing
Vibration Endurance	3 Grms with SSD (5 to 500 Hz, X, Y, Z directions)
Dimensions	216 mm (8.5") x 137.65 mm (5.41") x 38 mm (1.49")
Weight (net/gross)	1.15 kg (2.53 lb)/1.5 kg (3.3 lb)
Certifications	CE, FCC Class A
EOS Support	Win 10 IoT, Linux

\* W.T.: Wide Temperature. All W.T. supported products have to be sorted by Axiomtek.

## Packing List

- 1 x Quick manual
- 1 x Driver CD
- 1 x Screw pack
- 4 x Pre-installed foot pad
- 1 x HDD rubber
- 1 x Remote switch cable
- 1 x US power cord or 1 x EU power cord
- 1 x 12V/36W power adapter



## Power Protection

- AC Version**
- OVP (over voltage protection)
  - OCP (over current protection)
  - SCP (short circuit protection)

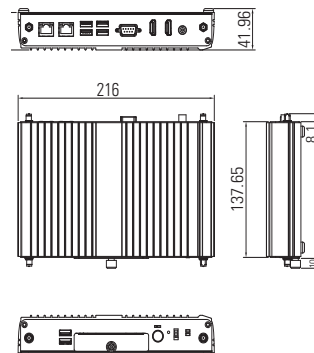
## Ordering Information

Standard	
eBOX100-312-FL-N3350-US	Fanless embedded system with Intel® Celeron® N3350 2.4 GHz, 2 HDMI, 2 GbE LANs, 6 USB, 12V/36W power adapter and US power cord
eBOX100-312-FL-N3350-EU	Fanless embedded system with Intel® Celeron® N3350 2.4 GHz, 2 HDMI, 2 GbE LANs, 6 USB, 12V/36W power adapter and EU power cord
eBOX100-312-FL-N4200-US	Fanless embedded system with Intel® Pentium® N4200 2.5 GHz, 2 HDMI, 2 GbE LANs, 6 USB, 12V/36W power adapter and US power cord
eBOX100-312-FL-N4200-EU	Fanless embedded system with Intel® Pentium® N4200 2.5 GHz, 2 HDMI, 2 GbE LANs, 6 USB, 12V/36W power adapter and EU power cord

Optional	
2.5" SATA HDD	64GB or above
2.5" SATA SSD	100GB or above
DDR3L SO-DIMM	2GB to 8GB
88606200010E	Wall mount kit
8816K1000A0E	VESA mount kit
881606470A0E	DIN-rail kit
8816K1001A0E	Wi-Fi module
	3G/LTE module

\* Specifications and certifications may vary based on different requirements.

## Dimensions



## Assured Systems

Assured Systems is a leading technology company with over 1,500 regular clients in 80 countries, deploying over 85,000 systems to a diverse customer base in 12 years of business. We offer high-quality and innovative rugged computing, display, networking and data collection solutions to the embedded, industrial, and digital-out-of-home market sectors.

### US

[sales@assured-systems.com](mailto:sales@assured-systems.com)

Sales: +1 347 719 4508  
Support: +1 347 719 4508

1309 Coffeen Ave  
Ste 1200  
Sheridan  
WY 82801  
USA

### EMEA

[sales@assured-systems.com](mailto:sales@assured-systems.com)

Sales: +44 (0)1785 879 050  
Support: +44 (0)1785 879 050

Unit A5 Douglas Park  
Stone Business Park  
Stone  
ST15 0YJ  
United Kingdom

VAT Number: 120 9546 28  
Business Registration Number: 07699660