

eBOX625-312-FL NEW

Fanless Embedded System with Intel® Celeron® N3350 2.4 GHz/ Pentium® N4200 2.5 GHz, HDMI, VGA, 2 GbE LANs, 6 USB and 3 COM

Features

- Intel® Celeron® N3350/Pentium® N4200 onboard
- 204-pin DDR3L-1866 SO-DIMM for up to 8GB of memory
- Supports 2 GbE LANs, 3 COM and 6 USB 3.0
- One 2.5" SATA drive bay and mSATA supported
- Trusted Platform Module (TPM) 1.2
- 2 PCI Express Mini Card slots and 1 SIM slot
- -20°C to +65°C operating temperature range
- AXView 2.0 intelligent remote monitoring software for IIoT



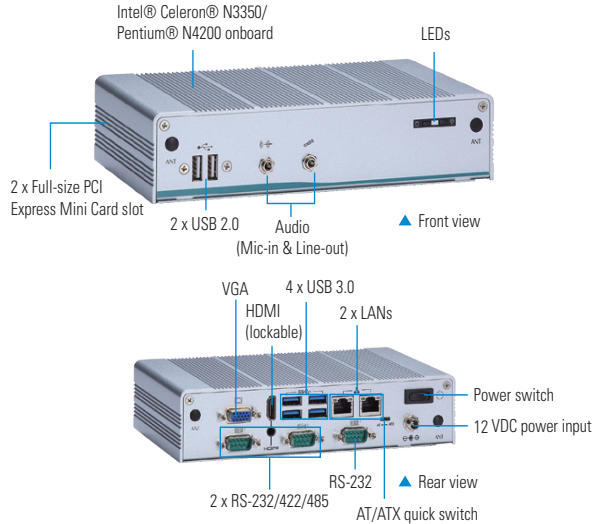
Specifications

Standard Color	Silver
Construction	Aluminum extrusion and heavy-duty steel, IP40
CPU	Intel® Celeron® Processor N3350 2.4 GHz Intel® Pentium® Processor N4200, 2.5 GHz
System Memory	1 x 204-pin DDR3L-1866 SO-DIMM, up to 8GB
Chipset	SoC integrated
BIOS	AMI
System I/O Outlet	2 x RS-232/422/485 1 x RS-232 1 x HDMI (lockable) 1 x VGA 1 x Audio (Mic-in/Line-out) 2 x 10/100/1000 Mbps Ethernet (Intel® i211-AT) 4 x USB 3.0 2 x USB 2.0 4 x SMA-type antenna connector 1 x Screw type VDC power input connector 1 x AT/ATX switch 1 x ATX power switch
Watchdog Timer	65536 levels, 1 to 65535 sec.
Storage	1 x 2.5" SATA HDD drive bay (max. up 9.5 mm height) 1 x mSATA (enabled in BIOS setting)
Expansion Interface	2 x Full-size PCI Express Mini Card slot (USB + PCI Express signal) 1 x SIM slot
TPM	TPM 1.2
System Indicator	1 x green LED for system power-on 1 x yellow LED for HDD/SSD active
Power Supply	Input AC 90 to 264V, AC 60W adapter with lock Output: 12 VDC, 5A
Operating Temperature	Turbo Mode -20°C to +60°C (-4°F to +140°F) (with W.T. SSD/DRAM for 9 to 36 VDC) (Default) Non-turbo Mode -20°C to +65°C (-4°F to +149°F) (with W.T. SSD/DRAM for 12 or 24 VDC)
Humidity	10% to 95%, non-condensing
Shock Vibration	IEC 60068-2-27 (with SSD: 50G, half sine, 11 ms duration)
Vibration Endurance	IEC 60068-2-64 (with SSD: 3Grms STD, random, 5 to 500 Hz, 1 hr/axis)
Dimensions	200 mm (7.87") (W) x 120 mm (4.72") (D) x 46 mm (1.81") (H)
Weight (net/gross)	1.1 kg (2.43 lb)/1.8 kg (3.97 lb)
Certifications	CE, FCC Class A
EOS support	Win10 IIoT, Linux, AXView 2.0

* W.T.: Wide Temperature. All W.T. supported products have to be sorted by Axiomtek.

Packing List

1 x Quick manual	1 x Driver CD
1 x Screws pack	4 x Pre-installed foot pad
1 x DRAM thermal pad	



Power Protection

AC Version

- OVP (over voltage protection)
- UVP (under voltage protection)
- SCP (short current protection)

Ordering Information

Standard

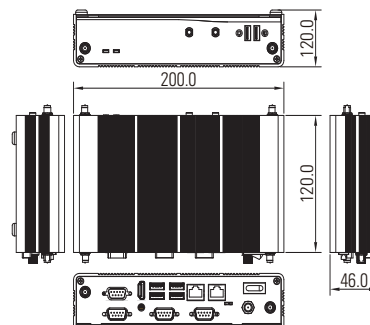
eBOX625-312-FL-DC-N3350	Fanless embedded system with Intel® Celeron® N3350 2.4 GHz, HDMI, VGA, 2 GbE LANs, 6 USB and 3 COM (w/o 12V/60W adapter and power cord)
eBOX625-312-FL-DC-N4200	Fanless embedded system with Intel® Pentium® N4200 2.5 GHz, HDMI, VGA, 2 GbE LANs, 6 USB and 3 COM (w/o 12V/60W adapter and power cord)

Optional

2.5" SATA HDD	64GB or above
2.5" SATA SSD	100GB or above
DDR3L SO-DIMM	2GB to 8GB
mSATA	64MB or above
8816K6271A0E	Wall mount Kit
8816K6272A0E	VESA mount kit
8816K6273A0E	DIN-rail kit
881606208A0E	Wi-Fi module
	3G/LTE module
50966124050E	12V/60W power adapter

* Specifications and certifications may vary based on different requirements.

Dimensions



Assured Systems

Assured Systems is a leading technology company with over 1,500 regular clients in 80 countries, deploying over 85,000 systems to a diverse customer base in 12 years of business. We offer high-quality and innovative rugged computing, display, networking and data collection solutions to the embedded, industrial, and digital-out-of-home market sectors.

US

sales@assured-systems.com

Sales: +1 347 719 4508
Support: +1 347 719 4508

1309 Coffeen Ave
Ste 1200
Sheridan
WY 82801
USA

EMEA

sales@assured-systems.com

Sales: +44 (0)1785 879 050
Support: +44 (0)1785 879 050

Unit A5 Douglas Park
Stone Business Park
Stone
ST15 0YJ
United Kingdom

VAT Number: 120 9546 28
Business Registration Number: 07699660