

NDiS B336R

Fanless Embedded Computer Powered by
Quad Core Intel® Atom™ x7-E3950 Processor, 2.0GHz



Main Features

- 6th generation Intel® Atom™ x7-E3950 processor
- Triple video output (HDMI/DP support 4K2K resolution)
- Compact and slim design (H: 21.5mm)
- Wide temperature support
- Supports W-Fi, GPS, and 3G module
- Fanless design

Product Overview

Powered by new generation Intel® Atom™ x7-E3950 processor, NDiS B336R series digital signage player can handle very rich multimedia contents. With Intel® processor low power consumption feature, In addition, the 6th generation Intel® Core™ processors deliver significant improvements up to two and a half times the performance in graphics offering stunning visuals for compelling 4K content creation and media playback. NDiS B336R series supports display output by HDMI and DP ports is ideal as entry level digital signage player, NDiS B336R series The slim/fanless design with wide temperature durability further extends to semi-outdoor usage like QSR drive through kiosks, box office displays, information stands, bus stops, or digital transit information signs. It is also ideal as a digital signage player delivering enhanced performance and new immersive experiences for advertising, hospitality and brand promotion applications.

Specifications

CPU Support

- Quad core Intel® Atom™ x7-E3950 processor, 2.0GHz

Chipset

- SoC (codenamed Apollo Lake-I)

Graphics

- Intel® HD Graphics 500 series

Main Memory

- 2 x 204-pin SO-DIMM socket, supports DDR3L 1600MHz non-ECC, Un-buffered memory up to 16GB

I/O Interface-Front

- 1 x 19V DC in
- 1 x DB9 For RS-232
- 1 x RJ45 with LEDs 10/100/1000Mbps Ethernet
- 2 x USB3.0
- 1 x Display Port
- 2 x HDMI Port
- 1 x HDD LED
- 1 x Power Switch

I/O Interface-Rear

- 2 x Antenna Hole for Wi-Fi or TV Tuner
- 3 x USB3.0
- 1 x Audio-out
- 1 x MIC-in

Storage

- 1 x SATA 2.5"

Expansion

- 1 x mini-PCIe slot (full size)
- 1 x NGFF (M.2) 2230 for optional WLAN
- 1 x SIM Slot

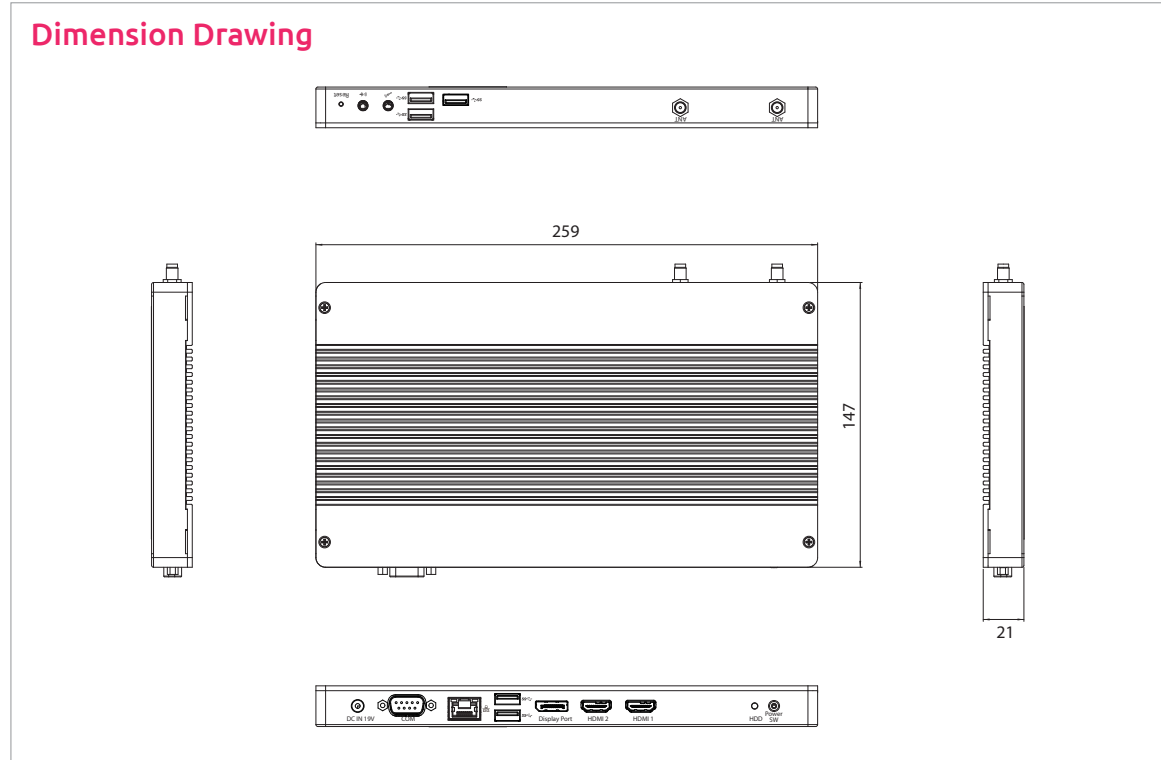
Power Supply

- 1 x external 65W AC/DC power adapter
- Input: 100VAC to 240VAC
- Output: DC+19VDC

Environment

- Operating temperature: -10°C to 60°C (SSD) ; 0°C to 40°C (HDD)
- Storage temperature: -25°C to 80°C
- Humidity: 10 to 90% (non-condensing)

www.nexcom.com



Certification

- CE approval
- FCC Class A

Dimensions

- 259mm (W) x 147mm (D) x 21mm (H)

Operating System

- Win10/Linux

Ordering Information

- **NDiS B336R (P/N: 10W00B33600X0)**
Quad core Intel® Atom™ x7-E3950 slim and fanless system

Assured Systems

Assured Systems is a leading technology company with over 1,500 regular clients in 80 countries, deploying over 85,000 systems to a diverse customer base in 12 years of business. We offer high-quality and innovative rugged computing, display, networking and data collection solutions to the embedded, industrial, and digital-out-of-home market sectors.

US

sales@assured-systems.com

Sales: +1 347 719 4508
Support: +1 347 719 4508

1309 Coffeen Ave
Ste 1200
Sheridan
WY 82801
USA

EMEA

sales@assured-systems.com

Sales: +44 (0)1785 879 050
Support: +44 (0)1785 879 050

Unit A5 Douglas Park
Stone Business Park
Stone
ST15 0YJ
United Kingdom

VAT Number: 120 9546 28
Business Registration Number: 07699660