



Intel® Atom™ E3800 Series
15" Light Industrial Touch Panel PC

KS150-BT

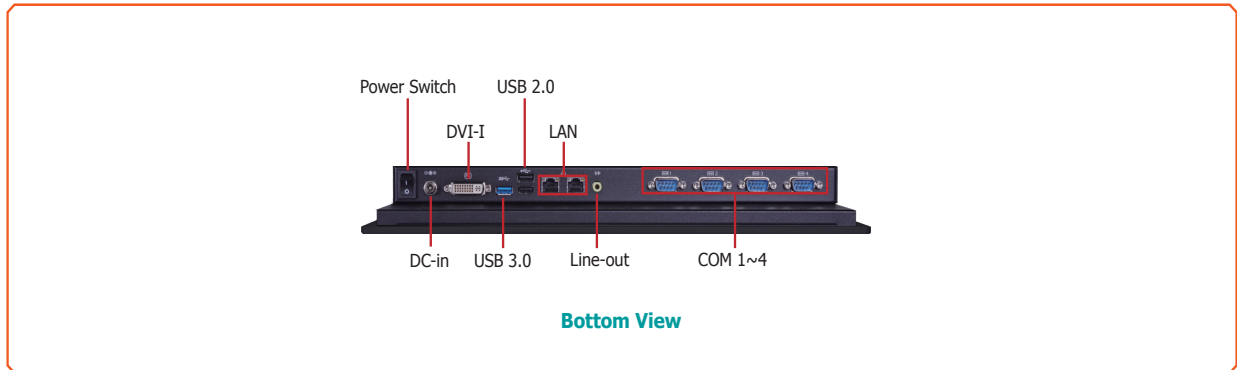


Features

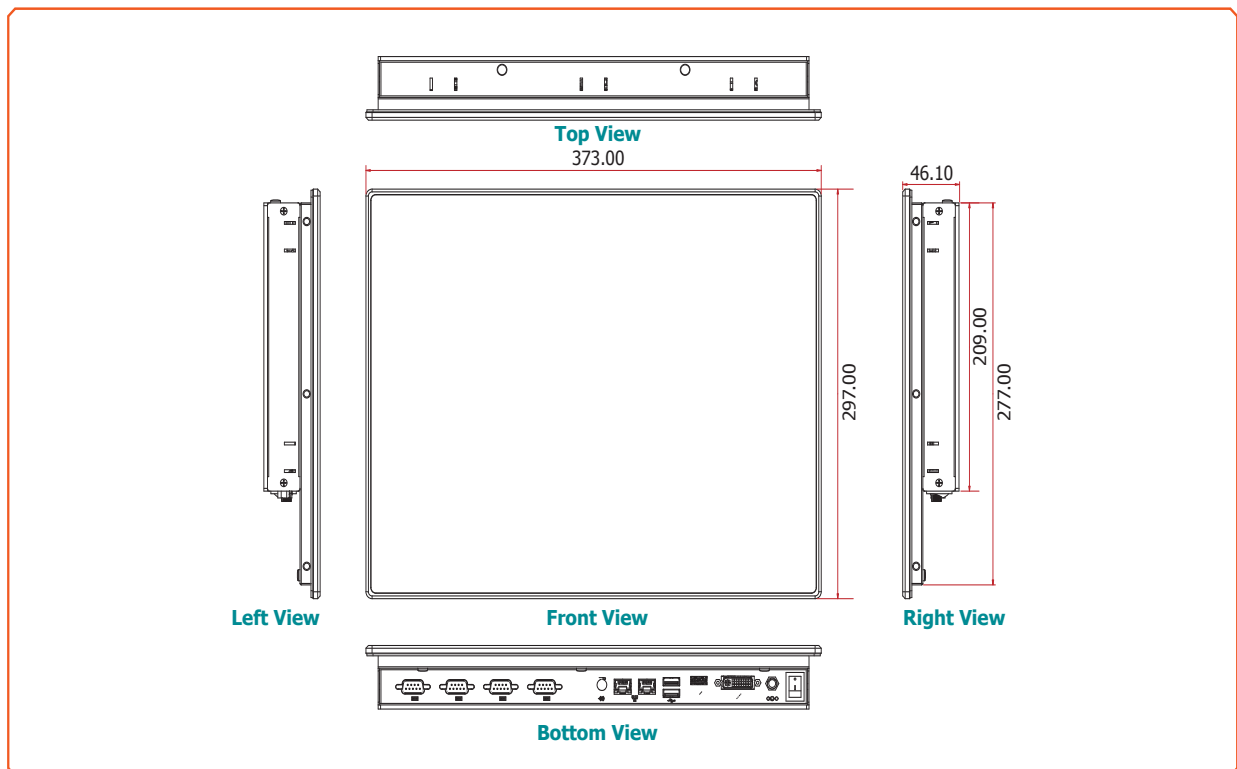
- 15" 1024x768 TFT LCD Panel with Touch Screen
- 1 2.5" SATA drive bay
- IP65 Front Panel Protection
- VESA/Wall/Panel Mount



Panel



Dimensions



Intel® Atom™ E3800 Series
15" Light Industrial Touch Panel PC



KS150-BT

Specifications * Optional and is not supported in standard model. Please contact your sales representative for more information.

PROCESSOR SYSTEM

- Intel® Atom™ E3845, Quad Core, 2M Cache, 1.91GHz, 10W
- Intel® Atom™ E3825, Dual Core, 1M Cache, 1.33GHz, 6W
- BGA 1170 packaging technology
- 22nm process technology

MEMORY

- Two 204-pin DDR3L SODIMM sockets (E3845)
 - up to 8GB system memory
 - dual channel memory interface
- One 204-pin DDR3L SODIMM socket (E3825)
 - up to 4GB system memory
 - single channel memory interface
- Supports DDR3L 1333MHz (E3845)
- Supports DDR3L 1066MHz (E3825)

LCD and TOUCH SCREEN

- 15" 1024x768 TFT LCD panel with touch screen
- Supports capacitive touch screen
- Supports 5-wire resistive touch screen
- 50,000 MTBF LED backlight
- Brightness (cd/m²): 250

GRAPHICS

- Intel® HD Graphics
- Display port: DVI-I
- DVI-I: resolution up to 1920x1080 @ 60Hz

STORAGE

- 1 2.5" SATA drive bay
 - SATA 2.0 port with data transfer rate up to 3Gb/s

EXPANSION

- 1 Mini PCIe slot
 - Supports USB and PCIe signals
 - Supports mSATA or Wi-Fi*
 - Supports half size or full size Mini PCIe card

ETHERNET

- 2 Intel® I210AT PCI Express Gigabit Ethernet controllers
- Integrated 10/100/1000 transceiver
- Fully compliant with IEEE 802.3, IEEE 802.3u, IEEE 802.3ab

AUDIO

- Realtek ALC888 5.1-channel High Definition Audio

I/O

- Bottom
 - 1 12V DC-in jack
 - 1 DVI-I port
 - 2 RJ45 LAN ports
 - 2 USB 2.0 ports
 - 1 USB 3.0 port
 - 1 Line-out jack
 - 1 Power switch
 - 3 DB-9 RS232 COM ports
 - 1 DB-9 RS232/422/485 COM ports (RS232 and/or power)

POWER

- Power input voltage: 12V DC-in

ENVIRONMENT

- Temperature
 - Operating: -20°C ~ 60°C (with SSD)
 - Operating: 0°C ~ 45°C (with HDD)
 - Storage: -30°C ~ 70°C
- Relative Humidity
 - 85% RH at 60°C (with SSD)
 - 85% RH at 45°C (with HDD)

VIBRATION

- Operating: 1G, 5~500Hz
- Non-operating: 3G, 10~500Hz

SHOCK

- Operating: 3G peak acceleration
- Non-operating: 5G peak acceleration

CONSTRUCTION

- Aluminum front bezel
- Rear panel: aluminum and SGCC

FRONT PANEL PROTECTION

- IP65 (Dust Tight; Water Proof protection)

MOUNTING

- Wall mount (VESA 75x75 or 100x100)
- Panel mount (Mounting clamp)

DIMENSIONS

- 373mm x 297mm x 46.10mm (W x H x D)

WEIGHT

- 3.8 kg

OS SUPPORT

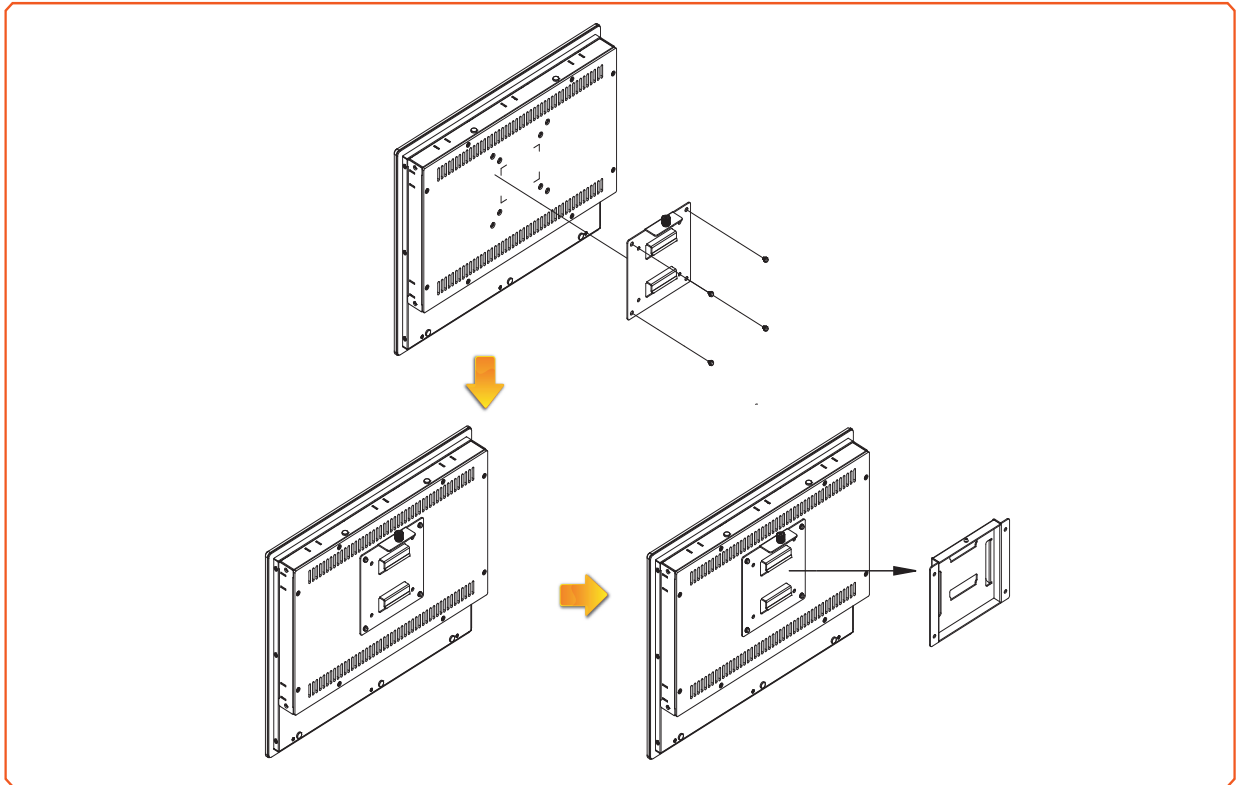
- Windows 7, WES 7, Windows 8.1, WES 8
- Linux (Distribution available upon request)



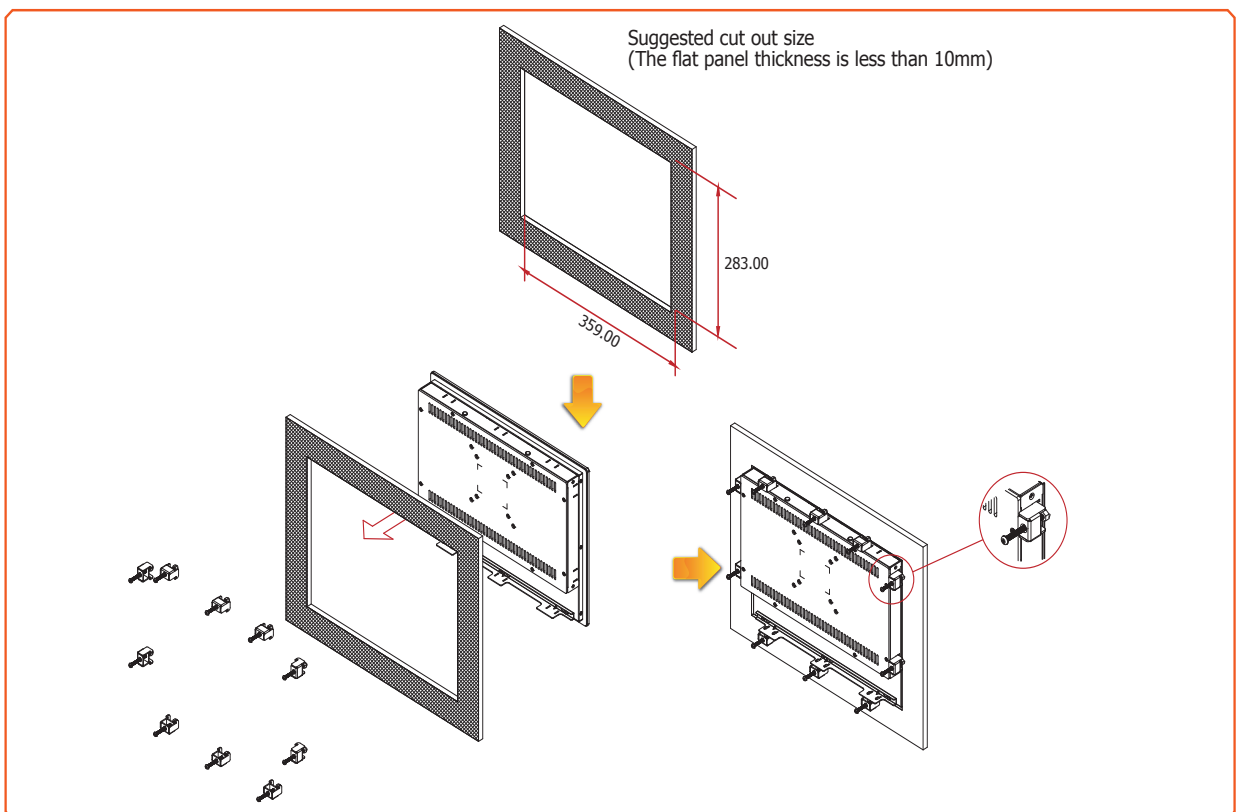
Intel® Atom™ E3800 Series
15" Light Industrial Touch Panel PC

KS150-BT

▶ Wall Mounting



▶ Panel Mounting



Intel® Atom™ E3800 Series
15" Light Industrial Touch Panel PC



KS150-BT

► Ordering Information

Model Name	Part Number	Description
KS150-BT3845R	750-KS1500-000G	15" Panel PC, Intel® Atom™ E3845, 5-wire Resistive Touch Screen
KS150-BT3845P	750-KS1500-100G	15" Panel PC, Intel® Atom™ E3845, Capacitive Touch Screen
KS150-BT3825R	750-KS1500-200G	15" Panel PC, Intel® Atom™ E3825, 5-wire Resistive Touch Screen
KS150-BT3825P	750-KS1500-300G	15" Panel PC, Intel® Atom™ E3825, Capacitive Touch Screen

► Optional Items

Optional Items	Part Number	Description
Memory	785-RSOD3L4G	SODIMM, DDR3L, 4GB, RoHS
	785-RSOD3L2G	SODIMM, DDR3L, 2GB, RoHS
HDD	785-H25500G	2.5" SATA HDD, 500GB, RoHS
	785-H25320G	2.5" SATA HDD, 320GB, RoHS
	785-S25128G	2.5" SATA SSD, 128GB MLC, RoHS
	785-S25064G	2.5" SATA SSD, 64GB MLC, RoHS
	785-S25032G	2.5" SATA SSD, 32GB MLC, RoHS
Wi-Fi	761-110090-000G	Wi-Fi kit
Power Cord	785-PWRD	Power cord, Standards (USA/EUR/CH), 1.8m, RoHS
Power Adapter	671-106002-102G	60W, 12V/5A
Wall Mount	785-PPCWMK	Standard Panel PC Wall Mount kit, RoHS
Panel Mount	785-150PMK	15" Panel PC Panel Mount Kit, RoHS

► Packing List

• 1 KS150-BT Touch Panel PC
• 1 Poron foam
• 1 Panel Mount Bracket
• 1 Quick Installation Guide
• 1 CD disk includes:
- Manual

Assured Systems

Assured Systems is a leading technology company with over 1,500 regular clients in 80 countries, deploying over 85,000 systems to a diverse customer base in 12 years of business. We offer high-quality and innovative rugged computing, display, networking and data collection solutions to the embedded, industrial, and digital-out-of-home market sectors.

US

sales@assured-systems.com

Sales: +1 347 719 4508
Support: +1 347 719 4508

1309 Coffeen Ave
Ste 1200
Sheridan
WY 82801
USA

EMEA

sales@assured-systems.com

Sales: +44 (0)1785 879 050
Support: +44 (0)1785 879 050

Unit A5 Douglas Park
Stone Business Park
Stone
ST15 0YJ
United Kingdom

VAT Number: 120 9546 28
Business Registration Number: 07699660