

## AEx-816P

15.6" Intel Celeron N2930 IP66 Stainless Steel Panel PC

Industrial Panel PC

HMI Controller

Industrial Display Monitor

Box PC



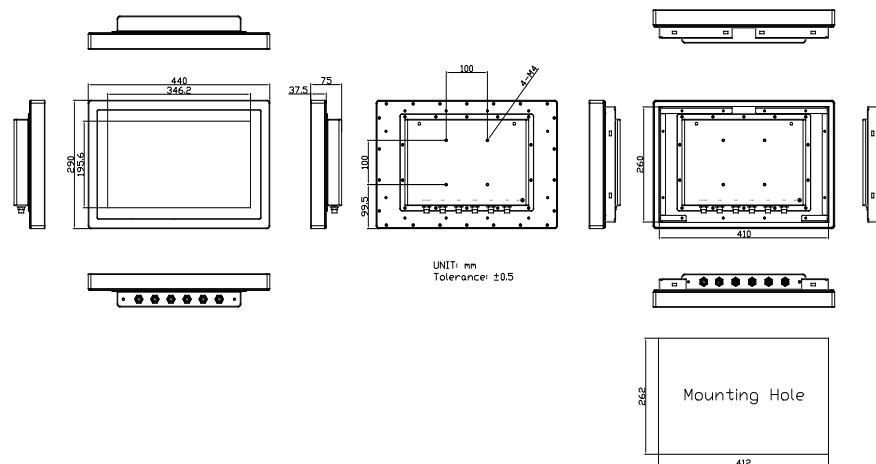
### Features

- 15.6" TFT-LCD
- Intel Celeron Processor N2930
- SUS 316 Stainless Steel
- Total IP66 Grade with M12 Waterproof Connector
- Variety of IO applications
- Wide range DC 9~36V Power Input
- Support Panel Mount & VESA Mount
- Support Projected Capacitive Touch
- Full Flat Bezel and Fanless Design
- ATEX Zone2, IECEx and C1D2 Certified

### Specifications

| System                         |   |
|--------------------------------|---|
| CPU                            | Onboard Intel Celeron N2930 Processor (2M Cache, 1.83GHz)                               |
| System Chipset                 | SoC   |
| Memory                         | Onboard 4GB DDR3L SDRAM, 8GB(option)  |
| IO Port                        |   |
| USB                            | 1 x M12 8-pin for 2 x USB 2.0 with waterproof cover and chain                           |
| Serial / Parallel              | 1 x M12 8-pin for COM1, RS-232/422/485, default RS-232, with waterproof cover and chain |
| LAN                            | 2 x M12 8-pin for LAN with waterproof cover and chain                                   |
| Graph                          | 1 x M12 8-pin for VGA with waterproof cover and chain                                   |
| Power                          | 1 x M12 3-pin for DC power connector with waterproof cover and chain                    |
| Storage Space                  |   |
| HDD                            | 1 x 2.5" HDD or SSD space<br>1 x mSATA space  |
| Movable Device                 | 1 x Internal SD Card  |
| Expansion                      |   |
| Expansion Slot                 | 1 x Mini-PCle (full size)   |
| Display                        |   |
| Display Type                   | 15.6" TFT-LCD   |
| Max. Resolution                | 1920 x 1080   |
| Max. Color                     | 16.7M   |
| Luminance (cd/m <sup>2</sup> ) | 400   |
| View Angle                     | 160(H)/140(V)   |
| Contrast                       | 700:1   |
| Backlight Lifetime             | 50,000 hrs  |
| Touch Screen                   |   |
| Type                           | Projected Capacitive Touch  |
| Interface                      | USB   |
| Light Transmission(%)          | 90%   |
| Power                          |   |
| Power Input                    | DC 9~36V  |
| Power Consumption              | AEx-816P: 23W   |
| Mechanical                     |   |
| Construction                   | 316 stainless steel chassis   |
| Mounting                       | VESA mount 100 x 100, Panel mount (option)  |
| IP Rating                      | Total IP66  |
| Dimensions                     | 440 x 290 x 75 mm   |
| Net Weight                     | 9.9 kg  |

### Dimensions



| Environmental            |   |
|--------------------------|---|
| Operating Temperature    | -20~60°C  |
| Storage Temperature      | -30~70°C  |
| Storage Humidity         | 10 to 90% @ 40°C, non-condensing  |
| Safety                   | CE / FCC Class A,<br>ATEX Zone2 Ex nA ic IIC T4 Gc<br>Class I, Division2, Group ABCD T4<br>ANSI/ISA 12.12.01-2013<br>CSA Std. C22.2 No213-1987  |
| Operating System Support |   |
| Windows embedded 7       |   |
| Windows embedded 8.1     |   |
| Windows 10 IoT ENT LTSC  |   |
| Ordering Information     |   |
| AEX-816P                 | 15.6" FHD IP66 Intel Celeron N2930 1.8G CPU fan less panel PC, 4GB DDR3L memory on board, 1 x 128GB 2.5" MLC SSD, 1 x 64GB mSATA GMLC SSD, Projected capacitive touch, DC9~36V power input with power adapter, 316 stainless steel enclosure, support VESA Mount, WT-20~60<br>Accessory : 1 x M12 for 2 x USB2.0 Cable, 2 x M12 LAN cable, 1 x M12 COM Cable, 1 x VGA Cable, 1 x 3pin power input cable (w/o Adapter) |

## Assured Systems

Assured Systems is a leading technology company with over 1,500 regular clients in 80 countries, deploying over 85,000 systems to a diverse customer base in 12 years of business. We offer high-quality and innovative rugged computing, display, networking and data collection solutions to the embedded, industrial, and digital-out-of-home market sectors.

### US

[sales@assured-systems.com](mailto:sales@assured-systems.com)

Sales: +1 347 719 4508  
Support: +1 347 719 4508

1309 Coffeen Ave  
Ste 1200  
Sheridan  
WY 82801  
USA

### EMEA

[sales@assured-systems.com](mailto:sales@assured-systems.com)

Sales: +44 (0)1785 879 050  
Support: +44 (0)1785 879 050

Unit A5 Douglas Park  
Stone Business Park  
Stone  
ST15 0YJ  
United Kingdom

VAT Number: 120 9546 28  
Business Registration Number: 07699660