



IOT-800N

8" Android Panel PC



Features

- Rockchip PX30, ARM Quad-core Cortex-A35, 64-bit low-power processor, up to 1.5GHz
- Built-in Can BUS, OBD-II for fleet management applications
- 8M front camera for in-vehicle surveillance
- Multiple I/O including LAN, USB 2.0, and RS-232 support
- Global band LTE module; a single module for different countries and supporting positioning simultaneously
- Supports Android 8.1

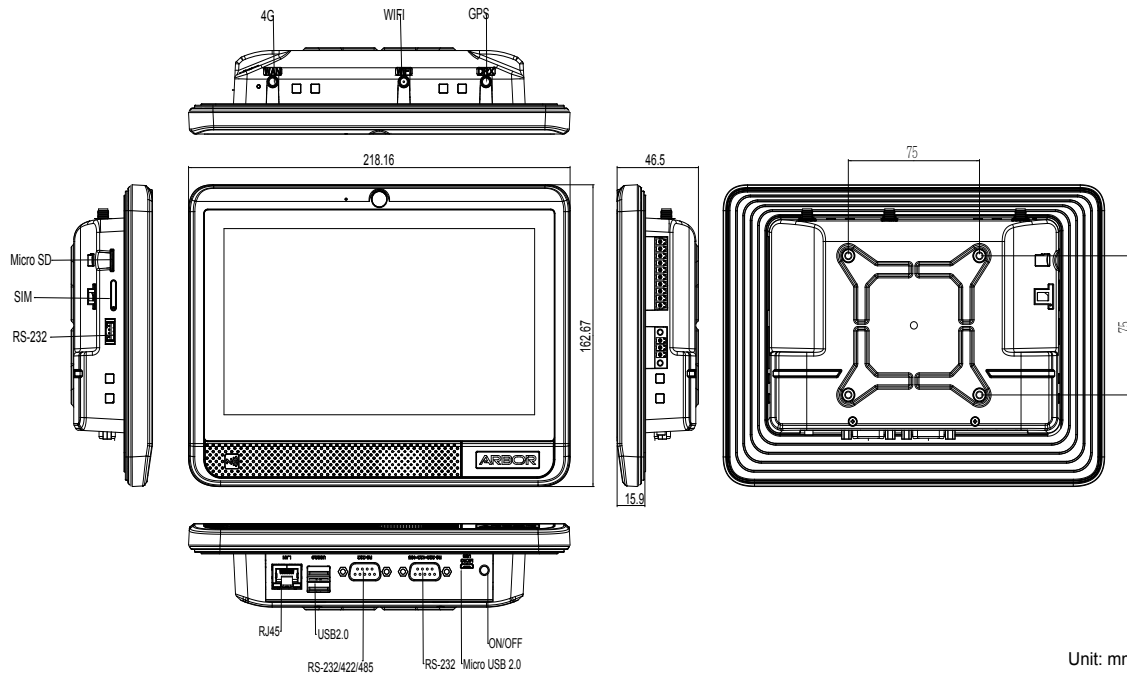
RISC Computing Platforms

| System | |
|-------------------------|--|
| CPU | ARM Quad-core Cortex-A35 |
| OS | Android 8.1 |
| Memory | 2GB DDR4 memory soldered on board |
| Flash | 16GB eMMC flash soldered on board |
| Peripherals and Devices | |
| Front Camera | 1 x 8MP resolution CMOS MIPI-CSI Type AF camera module |
| Audio | 1 x built-in speaker (1W) 1 x built-in microphone |
| Wireless | |
| WWAN | WCDMA / LTE, Mini PCIE interface (optional) |
| WLAN | IEEE 802.11 a/b/g/n/ac |
| Bluetooth | Bluetooth 4.2, low power BLE |
| NFC | 1 x 13.56MHz RFID & NFC reader with ISO 14443A/14443B/15693 & mifare |
| GPS | Supporting GPS / Galileo / Glonass / BeiDou / QZSS (optional) |
| I/O Interface | |
| SD Card | 1 x microSDHC/microSDXC/ microSD (Max. 128GB) card socket |
| USB | 2 x USB 2.0 Type-A port 1 x micro USB 2.0 |
| Speaker | 1 x 8Ω/1W |
| DB9 Interface | 1 x RS-232/422/485 COM port; 1 x RS-232 COM port |
| LAN | 1 x RJ-45 Ethernet, 10/100Mbps |
| Power | Tact switch |
| CAN | OBD-II |
| DIO | 3 x DI, 3x DO (dry contract) |
| Expansion | Mini PCIE interface (USB signal only) |

| LCD Display | |
|---------------------------------|---|
| Size/Type | 8" TFT LCD |
| Resolution | 1024 x 600 |
| Technology | High definition |
| Brightness (cd/m ²) | 500 cd/m ² |
| Contrast Ratio | 700:1(Typ.) |
| Interface | LVDS Type |
| View Angle (A/B/R/L) | 70°/75°/75°/75° typ. |
| Touch Screen | |
| Type | 5-point Projected Capacitive multi-touch |
| Interface | I2C |
| Power Input | |
| Power Input | Built-in ignition detection |
| DC Input | 3-pin terminal block 9V~36V auto-detection |
| Mechanical & Environmental | |
| Operating Temp. | 0°C~40°C (32°F~104°F) |
| Storage Temp. | -20°C~60°C (-4°F~140°F) |
| Operating Humidity | 5~90% RH@ 50°C (non-condensing) |
| Dimensions (W x H x D) | 218.16 x 162.67 x 46.5mm (W x H x D) |
| Weight | 940g (2.07lb) |
| Regulatory | CE, FCC E-Mark |
| Installation | |
| VESA Mount | 75mm x 75mm |



Dimensions



Ordering Information

| | |
|--------------|---|
| IoT-800N | 1 x 8" Android Panel PC, 8MP Front camera, WLAN, NFC, and Bluetooth ; 1 x Accessory Kit; (1 x 3-pin DC Terminal Block, Plug with screws; 1 x 10-pin Terminal Block, Plug; 1 x WiFi Antenna) |
| IoT-800N LTE | 1 x 8" Android Panel PC, 8MP Front camera, WLAN, NFC, Bluetooth, and Global LTE Module; 1 x Accessory Kit; (1 x 3-pin DC Terminal Block, Plug with screws; 1 x 10-pin Terminal Block, Plug; 1 x WiFi Antenna; 1 x 4G Antenna) |
| | Global LTE Module: LTE-FDD: B1/B2/B3/B4/B5/B7/B8/B12/B13/B18/B19/B20/B25/B26/B28 LTE-TDD: B38/B39/B40/B41 WCDMA: B1/B2/B4/B5/B6/B8/B19 GSM/EDGE: Quad-band Embedded GNSS: GPS/GLONASS/BeiDou/Galileo/QZSS |

Optional Accessories

| | |
|--------------------------|---|
| GPS Antenna | GPS Antenna, SMA Plug Male, 1600mm |
| AC-DC Power Adapter (US) | Input : 100V-240V, Output : 12V/1.5A; W/3-pin Terminal Block with screws, US Plug |
| AC-DC Power Adapter (EU) | Input : 100V-240V, Output : 12V/1.5A; W/3-pin Terminal Block with screws, EU Plug |

Assured Systems

Assured Systems is a leading technology company with over 1,500 regular clients in 80 countries, deploying over 85,000 systems to a diverse customer base in 12 years of business. We offer high-quality and innovative rugged computing, display, networking and data collection solutions to the embedded, industrial, and digital-out-of-home market sectors.

US

sales@assured-systems.com

Sales: +1 347 719 4508
Support: +1 347 719 4508

1309 Coffeen Ave
Ste 1200
Sheridan
WY 82801
USA

EMEA

sales@assured-systems.com

Sales: +44 (0)1785 879 050
Support: +44 (0)1785 879 050

Unit A5 Douglas Park
Stone Business Park
Stone
ST15 0YJ
United Kingdom

VAT Number: 120 9546 28
Business Registration Number: 07699660