

inLog

8 Isolated Analog/
Thermocouple Temperature Input Module

L-8018



Features

- ◆ Support Thermocouple J, K, T, R, S, E, B, N, C Type
- ◆ Protocol MODBUS RTU, ASCII Command
- ◆ Support Isolated Input Channels
- ◆ Fully Photo-Isolation 3750Vrms
- ◆ Wide Supply Voltages (10~30V)
- ◆ Built-In TVS/ESD Protection
- ◆ Burn-Out Auto Detection

Specifications

Interface:

Communication	RS485
Protocol	MODBUS RTU and ASCII Command
Baute Rate (bps)	1200, 2400, 4800, 9600, 19.2K, 38.4K, 115.2K
LED Indication	LED for Power
Isolation Voltage	3000VDC

Zero Drift	±0.5uV/ °C
Span Drift	25 ppm/ °C
CMRR	50/60 Hz: 92 dB
Burn-Out	Wire burn-out auto detection
Over Voltage Protection	± 60V

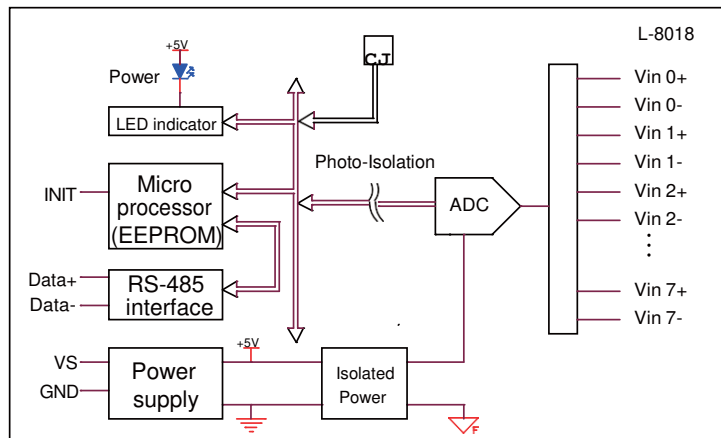
Analog input:

Effective Resolution	16-bit
Input Channels	8 channel
Input Type	Voltage, Current, Thermocouple
Input Range	±15mV, ±50mV, ±100mV, ±500mV, ±1V, ±2.5V, ±20mA
Thermocouple Type	J, K, T, R, S, E, B, N, C
Isolation Voltage	3750Vrms
Sampling Rate	10 Samples / Second
Input Impedance	4.5M ohm
Accuracy	±0.1% or better

Power requirement :

Consumption	0.8 W/Typical
Power Input	+10 ~ +30 VDC
Humidity	5 ~ 95% RH, non-condensing

Block Diagram



Assured Systems

Assured Systems is a leading technology company with over 1,500 regular clients in 80 countries, deploying over 85,000 systems to a diverse customer base in 12 years of business. We offer high-quality and innovative rugged computing, display, networking and data collection solutions to the embedded, industrial, and digital-out-of-home market sectors.

US

sales@assured-systems.com

Sales: +1 347 719 4508
Support: +1 347 719 4508

1309 Coffeen Ave
Ste 1200
Sheridan
WY 82801
USA

EMEA

sales@assured-systems.com

Sales: +44 (0)1785 879 050
Support: +44 (0)1785 879 050

Unit A5 Douglas Park
Stone Business Park
Stone
ST15 0YJ
United Kingdom

VAT Number: 120 9546 28
Business Registration Number: 07699660