



**7th Gen Intel® Core™ Processor
Fanless In-Vehicle System**



VC70B-KU

ULT

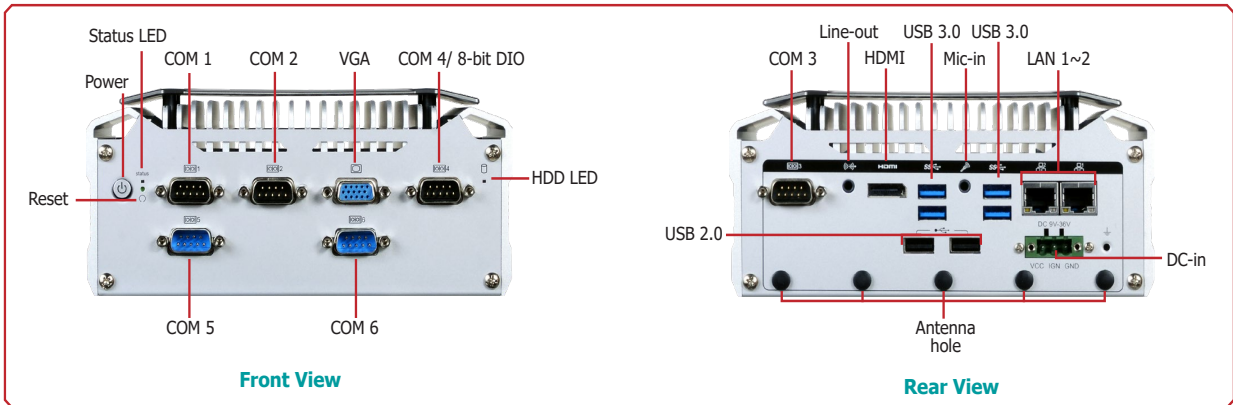


► Features

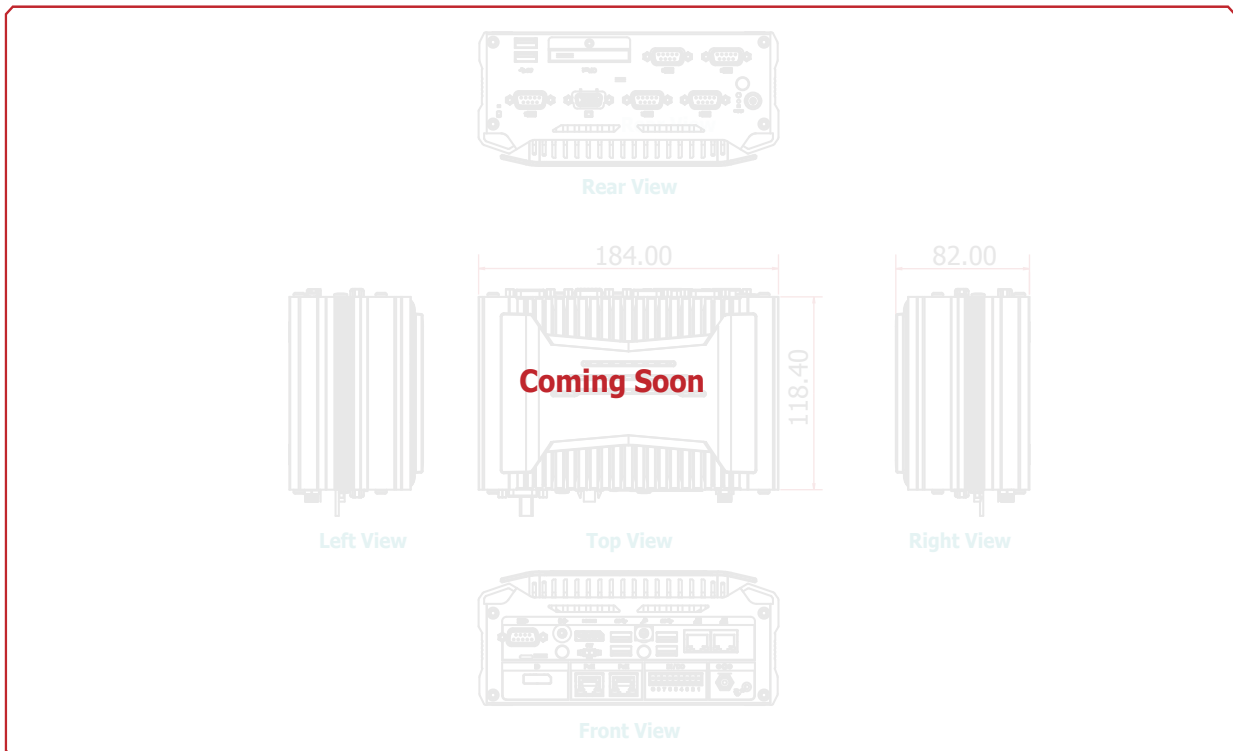
- Compact and Fanless In-Vehicle System
- 4GB/8GB DDR4 memory onboard
- 1x 2.5" SATA 3.0 Drive Bay
- Supports 2 Mini PCIe for Extension Modules
- Rich I/O ports: 2 Intel GbE, 6 COM, 4 USB 3.0, 2 USB 2.0



► Panel



► Dimensions





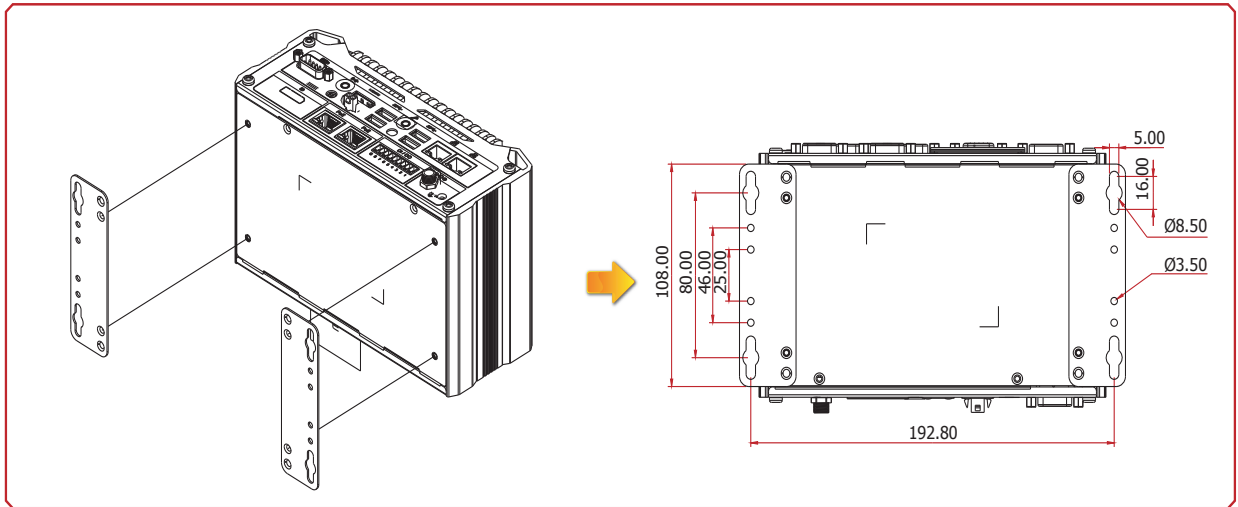
Specifications

SYSTEM	Processor	7th Generation Intel® Core™ Processors, FCBGA 1356 Intel® Core™ i7-7600U Processor, Dual Core, 4M Cache, 2.8GHz, 15W Intel® Core™ i5-7300U Processor, Dual Core, 3M Cache, 2.6GHz, 15W Intel® Core™ i3-7100U Processor, Dual Core, 3M Cache, 2.4GHz, 15W
	Memory	4GB/8GB Memory Onboard Dual Channel DDR4 2133MHz
	BIOS	Insyde SPI 128Mbit
	GRAPHICS	Controller Intel® HD Graphics GT Series Display 1 x VGA 1 x HDMI VGA: resolution up to 1920x1200 @ 60Hz HDMI: resolution up to 4096x2160 @ 24Hz Dual Displays VGA + HDMI
STORAGE	Interface	1 x 2.5" SATA 3.0 Drive Bay 1 x Full-size Mini PCIe (PCIe+USB) 1 x Half-size Mini PCIe (PCIe+USB+SATA)
EXPANSION	Audio Codec	Realtek ALC888 5.1-channel
AUDIO	Controller	1 x Intel® I210IT (10/100/1000Mbps) 1 x Intel® I219LM (10/100/1000Mbps)
ETHERNET	Indicators	1 x Status LED 1 x HDD LED
LED	Serial	2 x RS-232/422/485 (DB-9, COM 1~2) 3 x RS-232 (DB-9, COM 4~6, COM 4 supports 8-bit DIO or CAN-Bus)
FRONT I/O	Display	1 x VGA
	Buttons	1 x Power Button 1 x Reset Button
	REAR I/O	Ethernet 2 x GbE (RJ-45) Serial 1 x RS-232 (DB-9, COM 3) USB 4 x USB 3.0 (type A) 2 x USB 2.0 (type A) Display 1 x HDMI Audio 1 x Line-out 1 x Mic-in Wi-Fi Antenna 5 x Wi-Fi Module Antenna Hole
	WATCHDOG TIMER	Output & Interval System Reset, Programmable via Software from 1 to 255 Seconds
POWER	Type	Wide Range 9~36V
	Connector	DC Jack
OS SUPPORT		Windows 10 (64-bit) Windows 10 IoT Enterprise (64-bit) Ubuntu 16.04 LTS
MECHANISM	Construction	Aluminum + Sheet Metal
	Mounting	Wall/VESA/DIN Rail Mount
	Dimensions (W x H x D)	184mm x 82mm x 118.4mm
	Weight	1.6 Kg
ENVIRONMENT	Operating Temperature	-20 to 60°C
	Storage Temperature	-20 to 85°C
	Relative Humidity	5 to 95% RH (non-condensing)
STANDARDS AND CERTIFICATIONS	Shock	MIL-STD 810G 516.6 Operating: 10G, 11ms Non-Operating: 40G, 11ms
	Vibration	MIL-STD 810G 514.6C-3
	Certification	CE, FCC Class A, RoHS

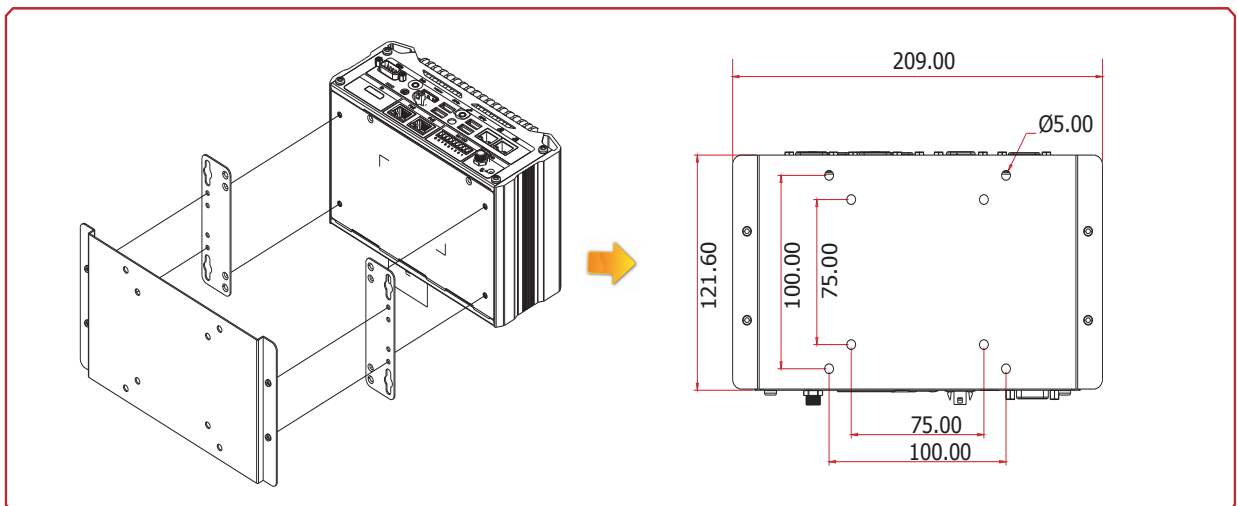


VC70B-KU

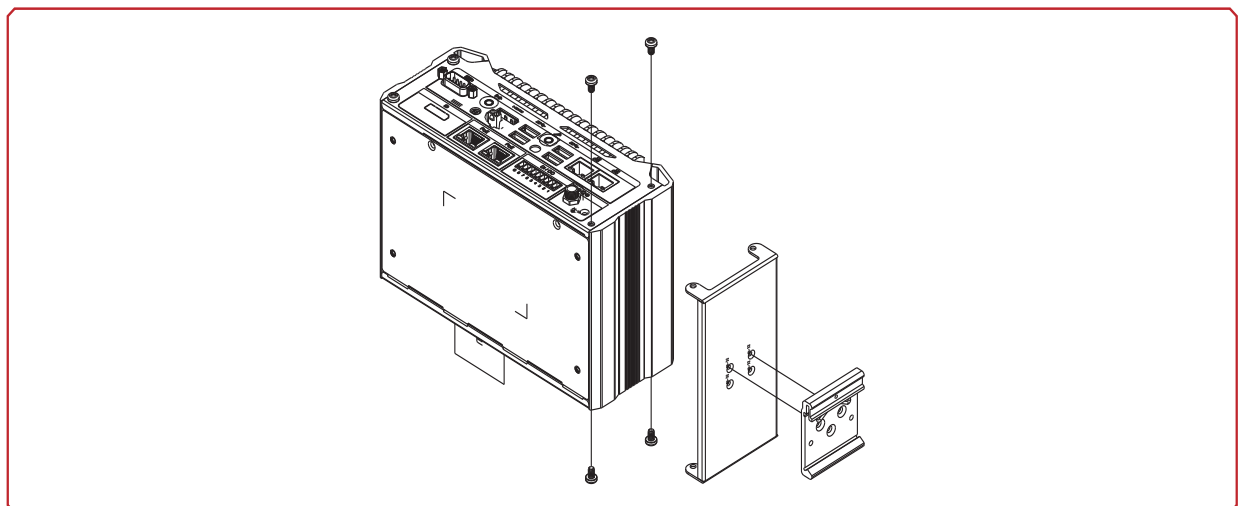
► **Wall Mounting**



► **VESA Mounting**



► **DIN Rail Mounting**





Ordering Information

Model Name	Part Number	Description
VC70B-KU6862-714	750-VC70B0-000G	Intel Core i3-7100U, 1 HDMI, 1 VGA, 2 LAN, 6 COM, 6 USB, 4GB DDR4 onboard
VC70B-KU6862-738	750-VC70B0-100G	Intel Core i5-7300U, 1 HDMI, 1 VGA, 2 LAN, 6 COM, 6 USB, 8GB DDR4 onboard
VC70B-KU6862-768	750-VC70B0-200G	Intel Core i7-7600U, 1 HDMI, 1 VGA, 2 LAN, 6 COM, 6 USB, 8GB DDR4 onboard

Optional Items

Optional Items	Part Number	Description
SSD	635-610002-110G	2.5" SATA SSD, 1TB MLC, RoHS
	635-605122-110G	2.5" SATA SSD, 512G MLC, RoHS
	635-602562-120G	2.5" SATA SSD, 256G MLC, RoHS
	635-601282-190G	2.5" SATA SSD, 128G MLC, RoHS
	635-600642-150G	2.5" SATA SSD, 64G MLC, RoHS
mSATA	638-712803-100G	mSATA Card, 128GB MLC, RoHS
	638-706405-110G	mSATA Card, 64GB MLC, RoHS
	638-703206-100G	mSATA Card, 32GB MLC, RoHS
Wi-Fi	761-110091-000G	Wi-Fi Kit, RoHS
3G+GPS	761-110040-600G	3G + GPS Kit, RoHS
Power Adapter	671-112005-100G	120W, 24V/5A for test/validation only
Wall Mount	761-EC8000-000G	EC700/800/70A/80A Wall Mount Kit, RoHS
VESA Mount	761-EC7000-100G	EC700/EC70A/EC70B VESA Mount Kit, RoHS
DIN Rail Mount	761-EC70B0-000G	EC70B DIN Rail Mount Kit, RoHS

Packing List

• 1 VC70B-KU system unit	TBD
• 4 Mounting screws for Mini PCIe module	531-510180-000G
• 1 Power Connector	342-360030-110G
• 1 CD disk includes:	TBD
- Drivers	

Assured Systems

Assured Systems is a leading technology company with over 1,500 regular clients in 80 countries, deploying over 85,000 systems to a diverse customer base in 12 years of business. We offer high-quality and innovative rugged computing, display, networking and data collection solutions to the embedded, industrial, and digital-out-of-home market sectors.

US

sales@assured-systems.com

Sales: +1 347 719 4508
Support: +1 347 719 4508

1309 Coffeen Ave
Ste 1200
Sheridan
WY 82801
USA

EMEA

sales@assured-systems.com

Sales: +44 (0)1785 879 050
Support: +44 (0)1785 879 050

Unit A5 Douglas Park
Stone Business Park
Stone
ST15 0YJ
United Kingdom

VAT Number: 120 9546 28
Business Registration Number: 07699660