

P712

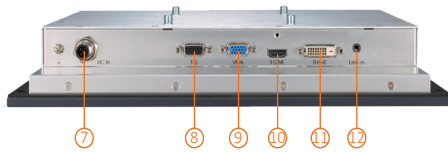
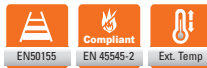
12.1" XGA TFT LCD Railway Touchscreen Monitor (-25°C to +55°C)



1. Menu
2. SEL+
3. SEL-
4. Exit
5. Power LED
6. Power switch

Features

- EN 50155 and EN 45545-2 certified railway monitor
- 12.1" high brightness XGA TFT touchscreen LCD
- Wide viewing angle and a high brightness of 600 nits
- Supports VGA, DVI-D, and HDMI
- Light sensor for auto-dimming
- Typical 24 to 110 VDC wide power input
- -25°C to +55°C wide temperature range
- Supports 5 OSD keys on the front bezel



- | | |
|--|-----------------|
| 7. DC power input | 11. 1 x DVI-D |
| 8. 1 x RS-232 (touch & remote control) | 12. 1 x Line-in |
| 9. 1 x VGA | 13. Speaker |
| 10. 1 x HDMI | |



▲ Side view



▲ Rear view



Introduction

The EN 50155 certified railway touchscreen monitor P712 adopts a 12.1-inch XGA TFT LCD with 600 nits brightness and a 5-wire resistive touchscreen with IP65-rated aluminum front bezel to provide protection against liquid damage and user friendly control interface.

Wide Temperature (-25°C to +55°C)

The Axiomtek 12.1-inch railway touchscreen monitor supports a wide temperature range from -25°C to +55°C. Its fanless cooling system and compact designs are suited for rolling stock applications as well as other harsh environments.

600 nits High Brightness with Wide Viewing Angle

The railway-grade P712 adopts a high brightness of 600 nits 12.1-inch LCD with sunlight readable technology. The screen is legible even under strong sunlight. Additionally, with its wide viewing angle feature, users won't miss any information.

Anti-vibration for Railway

With the anti-vibration design and EN 50155 and EN 61373 Cat. 1 Class B complied, the rugged 12.1" railway touchscreen monitor can work perfectly on a train.

Specifications

Front Bezel	IP65-rated aluminum front bezel and IP40-rated rear protection	
LCD Panel	Display Type	12.1" XGA TFT LCD
	Max. Resolution	1024 x 768
	Max. Colors	16.7M/262k
	Active Area (mm)	245.76 (H) x 184.32 (V)
	Pixel Pitch (mm)	0.24 (H) x 0.24 (V)
	Response Time	25ms
	Backlight	LED
	Backlight MTBF	50,000 hrs
	Viewing Angle (H/V)	178°/178°
	Contrast Ratio	1000 (TYP.)
	Brightness (cd/m ²)	600 nits
Display Control	OSD (on screen display)	
Display Mode	VGA 640 x 480 (60/72 Hz)	
	SVGA 800 x 600 (60/72 Hz)	
	XGA 1024 x 768 (60/70 Hz)	
Input Signal	VGA	
	HDMI	
	DVI-D	
	Line-in	
	Multi-function of T/S & remote control	
I/O Connectors	1 x M12 A-coded Male 5-pin DC-in	
	1 x Multi-function of T/S & remote control	
	1 x DVI-D	
	1 x VGA	
	1 x HDMI	
	1 x Line-in	
Power Supply	Typical 24 VDC to 110 VDC	
Power Consumption	24-110VDC, 0.88-0.19A	
Touchscreen	Thickness	Resistive: 2.2 mm
	Light Transmission	Resistive: 80%
	Touch Life	Resistive: 35 million touches
	Controller Interface	RS-232 D-type 9-pin male connector
Dimensions	330 mm (12.99") (W) x 50.2 mm (1.98") (D) x 245 mm (9.65") (H)	
Packing Dimensions	520 mm (20.48") (W) x 196 mm (7.72") (D) x 552 mm (21.74") (H)	
Weight (net/gross)	2.3 kg (5.07 lb)/4.36 kg (9.62 lb)	
Operating Temperature	-25°C to +55°C (-13°F to +131°F)	
Relative Humidity	20% to 90% @ +40°C, non-condensing	
Certifications	CE, FCC, EN 50155, EN 50121-3-2, EN 61373, and EN 45545-2 certified	

Ordering Information

P712-RS1-M (P/N: E226712100)	12.1" XGA LCD railway touchscreen monitor with 24 to 110 VDC power input
---------------------------------	--

*Specifications and certifications may vary based on different requirements.

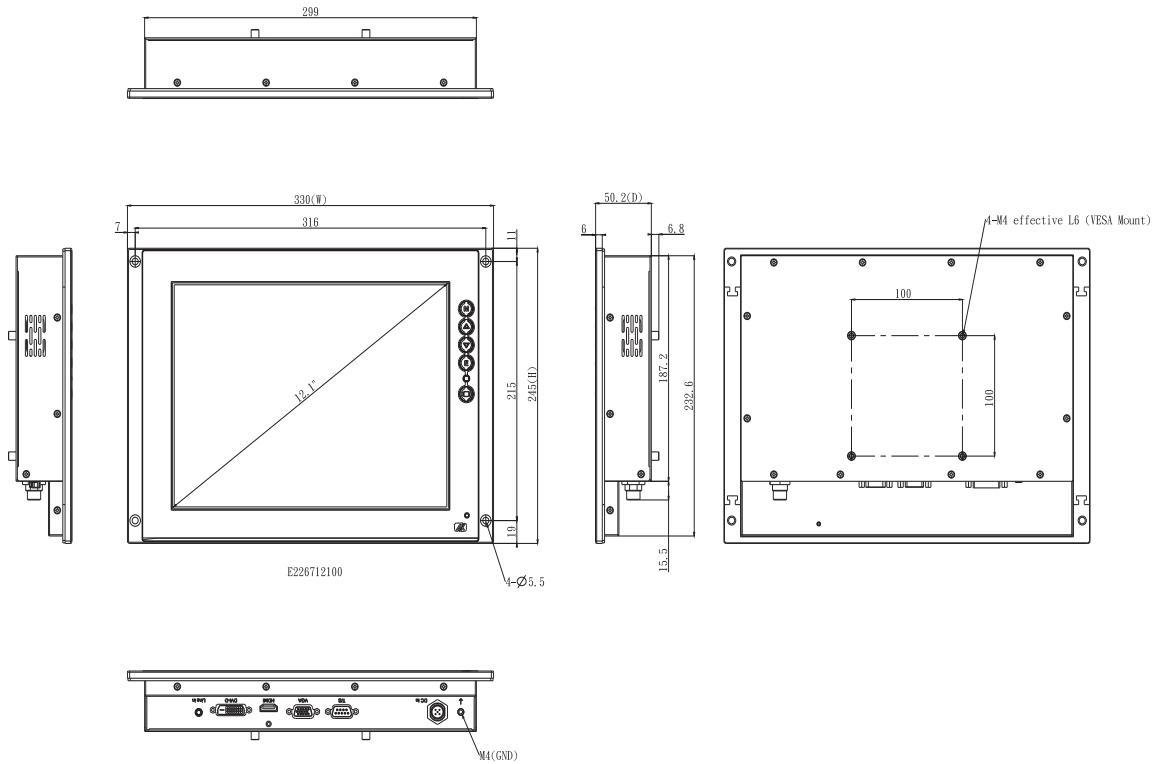
Packing List

1 x P712 unit
1 x RS-232 cable (for resistive touch)
1 x HDMI bracket
1 x Cable tie
1 x Cable clamp
2 x Screw M3*5L

Optional Accessories

594B8120B30E	DC in cable M12 female 5P 180cm w/o ACC
--------------	---

Dimensions



Assured Systems

Assured Systems is a leading technology company with over 1,500 regular clients in 80 countries, deploying over 85,000 systems to a diverse customer base in 12 years of business. We offer high-quality and innovative rugged computing, display, networking and data collection solutions to the embedded, industrial, and digital-out-of-home market sectors.

US

sales@assured-systems.com

Sales: +1 347 719 4508
Support: +1 347 719 4508

1309 Coffeen Ave
Ste 1200
Sheridan
WY 82801
USA

EMEA

sales@assured-systems.com

Sales: +44 (0)1785 879 050
Support: +44 (0)1785 879 050

Unit A5 Douglas Park
Stone Business Park
Stone
ST15 0YJ
United Kingdom

VAT Number: 120 9546 28
Business Registration Number: 07699660