

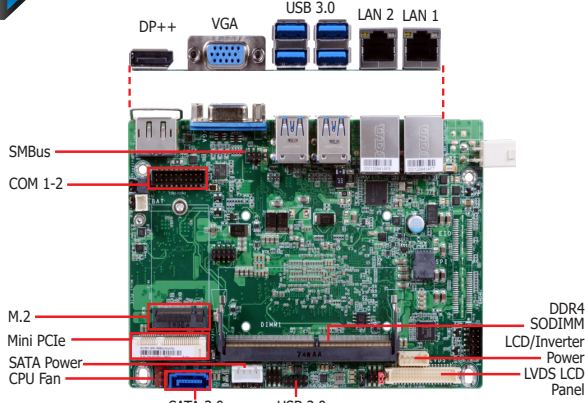


**7th Gen Intel® Core™
3.5"**

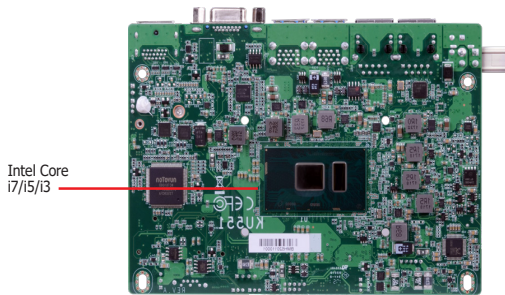


KU551

ULT



Top View



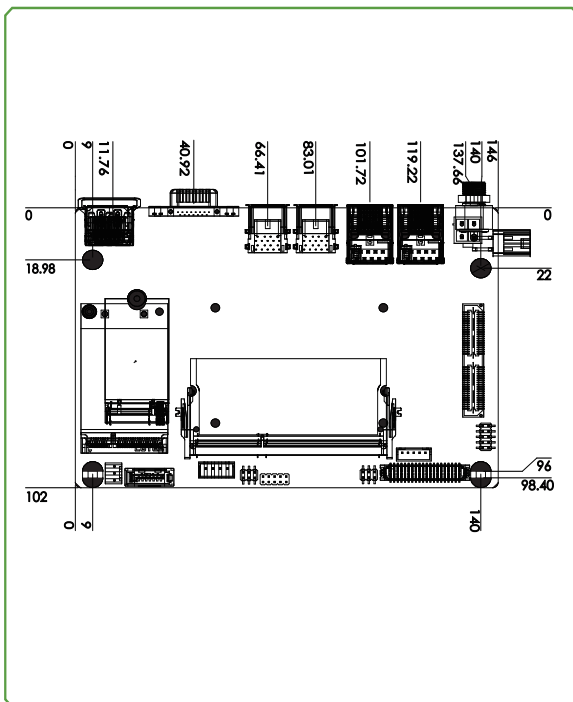
Bottom View

Features

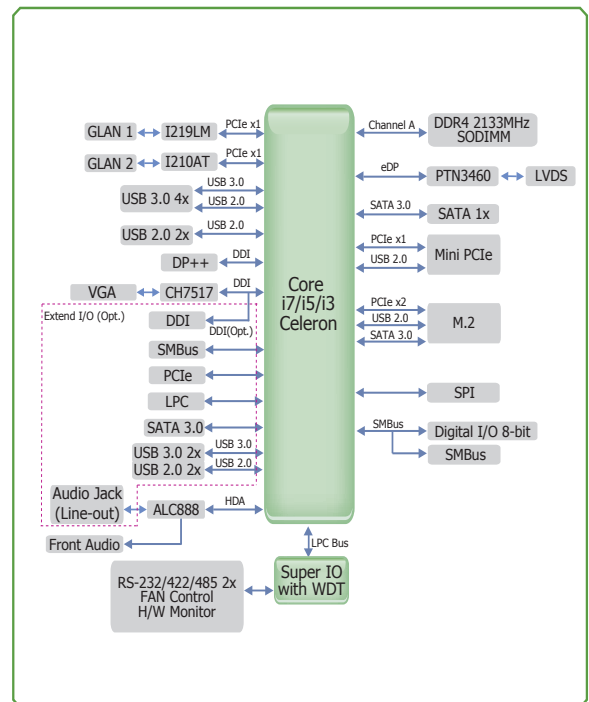
- 1 DDR4 SODIMM up to 16GB
- Three independent displays: VGA + LVDS + DP++
- DP++ resolution up to 4096x2304 @ 60Hz
- Wireless communication: Mini PCIe
- Rich I/O: 2 Intel GbE, 4 USB 3.0, 2 USB 2.0, 1 M.2



Mechanical Drawing



Block Diagram





Specifications

SYSTEM	Processor	7th Generation Intel® Core™ Processors, BGA 1356 Intel® Core™ i7-7600U Processor, Dual Core, 4M Cache, 2.8GHz (3.9GHz), 15W Intel® Core™ i5-7300U Processor, Dual Core, 3M Cache, 2.6GHz (3.5GHz), 15W Intel® Core™ i3-7100U Processor, Dual Core, 3M Cache, 2.4GHz, 15W Intel® Celeron® Processor 3965U, Dual Core, 2M Cache, 2.2GHz, 15W	
	Memory	One 260-pin SODIMM up to 16GB	Single Channel DDR4 1866/2133MHz
	BIOS	Insyde SPI 128Mbit	
	GRAPHICS	Controller	Intel® HD Graphics GT Series
GRAPHICS	Feature	OpenGL 5.0, DirectX 12, OpenCL 2.1 HW Decode: AVC/H.264, MPEG2, VC1/WMV9, JPEG/MJPEG, HEVC/H265, VP8, VP9 HW Encode: AVC/H.264, MPEG2, JPEG, HEVC/H265, VP8, VP9	
	Display	1 x VGA/DDI 1 x LVDS/eDP 1 x DP++/DDI	VGA: resolution up to 1920x1200 @ 60Hz LVDS: dual channel 48-bit, resolution up to 1920x1200 @ 60Hz DP++: resolution up to 4096x2304 @ 60Hz
	Triple Displays	VGA + LVDS + DP++	
	EXPANSION	Interface	1 x Full-size Mini PCIe (PCIe/USB) 1 x M.2 B key 2242 (PCIe/USB2.0/SATA3.0) 1 x Extension I/O connector (available upon request)
AUDIO	Audio Codec	Realtek ALC888	
ETHERNET	Controller/Phy	1 x Intel® I210AT PCIe (10/100/1000Mbps) 1 x Intel® I219LM PCIe with iAMT11.6 (10/100/1000Mbps)	
REAR I/O	Ethernet	2 x GbE (RJ-45)	
	USB	4 x USB 3.0	
	Display	1 x VGA 1 x DP++	
INTERNAL I/O	Serial	2 x RS-232/422/485 (2.0mm pitch)	
	USB	2 x USB 2.0 (2.0mm pitch)	
	Display	1 x LVDS LCD Panel Connector	1 x LCD/Inverter Power
	Audio	1 x Audio (Line-out/Mic-in)	
	SATA	1 x SATA 3.0 (up to 6Gb/s)	1 x SATA Power
	DIO	1 x 8-bit DIO	
	SMBus	1 x SMBus	
WATCHDOG TIMER	Output & Interval	System Reset, Programmable via Software from 1 to 255 Seconds	
SECURITY	TPM	fTPM 2.0	
POWER	Type	Single 12V +/-5% DC	
	Connector	Right Angle Connector (4-pin)	DC Jack (available upon request) Vertical Type Connector (4-pin) (available upon request)
	Consumption	Idle: i7-7600U:12V @ 0.9A (10.8Watt) Max.: i7-7600U:12V @ 3.2A (38.5Watt)	
	RTC Battery	CR2032 Coin Cell	
OS SUPPORT	Microsoft	Windows 10 IoT Enterprise 64-bit	
	Linux	Linux Yocto	
ENVIRONMENT	Temperature	Operating: 0 to 60°C (Opt. -20 to 70°C)	Storage: -40 to 85°C
	Humidity	Operating: 5 to 90% RH	Storage: 5 to 90% RH
	MTBF	477,146 hrs @ 25°C; 277,228 hrs @ 45°C; 172,875 hrs @ 60°C	
MECHANICAL	Dimensions	3.5" SBC Form Factor	146mm (5.75") x 102mm (4.02")
	Height	PCB: 1.6mm	Top Side: 16.3mm, Bottom Side: 4.0 mm
CERTIFICATIONS	CE, FCC, RoHS, UL		

Ordering Information

Model Name	P/N	Processor	Memory	GbE	RS-232/422/485	USB 3.0	USB 2.0	Power	Thermal	Temp.
KU551-BN-7600U	770-KU5511-000G	i7-7600U	1 SODIMM	2	2	4	2	12V (Right Angle)	Fanless	0 to 60°C
KU551-BN-7300U	770-KU5511-100G	i5-7300U	1 SODIMM	2	2	4	2	12V (Right Angle)	Fanless	0 to 60°C
KU551-BN-7100U	770-KU5511-200G	i3-7100U	1 SODIMM	2	2	4	2	12V (Right Angle)	Fanless	0 to 60°C
KU551-BN-3965U	770-KU5511-300G	3965U	1 SODIMM	2	2	4	2	12V (Right Angle)	Fanless	0 to 60°C
KU551-EN-7600U	770-KU5511-400G	i7-7600U	1 SODIMM	2	2	4	2	12V (Right Angle)	Fanless	-20 to 70°C
KU551-EN-7300U	770-KU5511-500G	i5-7300U	1 SODIMM	2	2	4	2	12V (Right Angle)	Fanless	-20 to 70°C
KU551-EN-7100U	770-KU5511-600G	i3-7100U	1 SODIMM	2	2	4	2	12V (Right Angle)	Fanless	-20 to 70°C
KU551-EN-3965U	770-KU5511-700G	3965U	1 SODIMM	2	2	4	2	12V (Right Angle)	Fanless	-20 to 70°C

Packing List

• 1 KU551 board	
• 1 COM port cable (Length: 300mm, 2 x COM ports)	A81-015020-001G
• 1 Serial ATA data cable (Length: 500mm)	332-553001-005G
• 1 Serial ATA power cable (Length: 250mm)	A81-004041-016G
• 1 Heat sink (Height: 25.8mm)	A71-011080-010G

Optional Items

• USB port cable (Length: 200mm)	A81-001032-016G
• Power adapter (60W, 12V)	671-106012-000G
• Heat spreader (Height: 11mm)	A71-011078-000G
• Audio cable (Length: 160mm)	A81-022007-016G
• 4 pin to DC jack cable (Length:100mm)	A81-004051-016G

Assured Systems

Assured Systems is a leading technology company with over 1,500 regular clients in 80 countries, deploying over 85,000 systems to a diverse customer base in 12 years of business. We offer high-quality and innovative rugged computing, display, networking and data collection solutions to the embedded, industrial, and digital-out-of-home market sectors.

US

sales@assured-systems.com

Sales: +1 347 719 4508
Support: +1 347 719 4508

1309 Coffeen Ave
Ste 1200
Sheridan
WY 82801
USA

EMEA

sales@assured-systems.com

Sales: +44 (0)1785 879 050
Support: +44 (0)1785 879 050

Unit A5 Douglas Park
Stone Business Park
Stone
ST15 0YJ
United Kingdom

VAT Number: 120 9546 28
Business Registration Number: 07699660