

# R08IWK8M-RTU1GP, 8.4-inch Ultra Rugged Tablet

An Ultra Rugged Tablet Built to Handle the Toughest Tasks

The R08IWK8M-RTU1GP is an 8.4-inch ultra-rugged tablet with a robust set of features designed to handle the toughest tasks while providing high tech solutions that increase productivity, improve safety, and reduce operational costs. The processing power comes from Intel's 8th generation Core i5-8265U Whiskey Lake in a magnesium aluminum housing with protective rubber for military standard ruggedness. The R08IWK8M-RTU1GP is a no-nonsense, field ready ultra-rugged tablet that can act as a powerful workstation in an easy to use package.



## Highlights

- 8<sup>th</sup> Gen. Intel® Core™ i5-8265U 1.6 GHz (turbo up to 3.9GHz)
- 8.4" 800 x 600 Resolution Transflective TFT-LCD Panel
- Plastic front cover and Alu-Mg Alloy rear cover with Protective Rubber
- Trusted platform module (TPM) V2.0
- Built-in Wireless / BT / GPS
- Optional 4G LTE
- Adjustable Kickstand that is convertible to a handle (Optional)

Order Information			
	WWAN	Kickstand	1D/2D Barcode
R08IWK8M-RTU1GP	4G/LTE (Optional)	N / A	Optional
R08IWK8M-RTU1GPKS	4G/LTE (Optional)	Default	Optional

# R08IWK8M-RTU1GP, 8.4-inch Ultra Rugged Tablet

An Ultra Rugged Tablet Built to Handle the Toughest Tasks

## Display Specification

Resolution	800 x 600
Contrast Ratio	600:1
Brightness	600 nit
Viewing Angle	75/75/60/70
Touch	Resistive Touch

## System Specification

CPU	Intel® Core™ i5-8265U 1.6 GHz (turbo up to 3.9GHz)
System Chipset	Intel UHD Graphics
System Memory	4GB SODIMM DDR4-2400 (Max32GB)
Storage	128GB M.2 SSD (Max 512GB) Optional NVMe SSD up to 4TB.
Operating System	Windows 10 IoT Enterprise

## Interface

Ethernet LAN	1 x RJ45
COM	1 x RS232/422/485 (Thru BIOS Setting)
USB	2 x USB 3.0
Power Input	1 x Power Jack
Memory Card Slot	1 x Micro SD Card Slot
SIM card slot	1 x Micro SIM Card Slot
Audio Connector	1 x Audio Combo Connector (Mic in or Line out)

## Audio

Speaker	2 x 1 Watt Speaker
---------	--------------------

## Wireless Communications

WWAN	Optional 4G/ LTE or 3G
WLAN	802.11 a/b/g/n/ac
BT	BT
GPS	u-Blox Neo-M8N, supports GPS (Optional GLONASS, Galileo, BeiDou)

## Keyboard and Input

Physical Buttons	1 x Power, 1 x Menu, 3 x Function Key, 2 x Brightness Control Key
LED Indicators	Power, Battery, HDD, RF

## Data Capture

Barcode	1D/2D Barcode Reader (Optional)
---------	---------------------------------

## Mechanical and Environment

Dimensions	266 x 222 x 50 mm
Weight	2.39 kg
Housing	Aluminum Magnesium Alloy Housing with Protective Rubber
Operating Temperature	-20°C to 60°C (AC Mode), -10°C to 50°C (Battery Mode)
Storage Temperature	-30°C to 70°C
Operating Humidity	10 to 90% RH, non-condensing
Shock	MIL-STD-810G Method 516.6 Procedure I
Vibration	MIL-STD-810G Method 514.6 Procedure I
Drop	MIL-STD-810G Method 516.6, 4ft to concrete
IP Rating	Default IP54 (Optional IP65)

## Power Management

Power Input	19V DC
Battery	11.1V, 5200mAh Lithium-Ion Battery (6cells)
Battery Operating Time	8 hours <sup>1</sup>
Power Consumption	15W
AC Adapter	100-240V, 50-60Hz / 19V DC

## Security Function

Security	Trusted platform module (TPM) V2.0
----------	------------------------------------

## Standards and Certification

EMC	FCC
Safety	CE

## Accessories

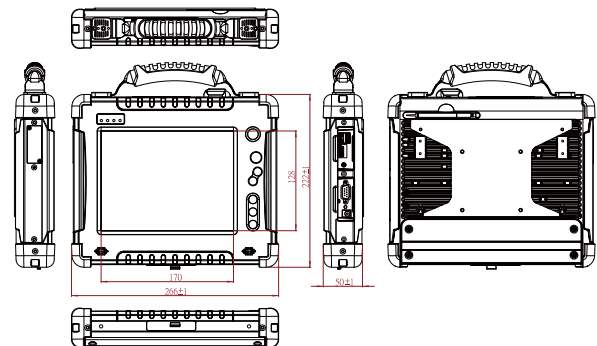
### Standard Accessories

Adapter and Power Cord  
Standard Battery  
Quick Start Guide  
Manual & Driver CD  
Touch Stylus

### Optional Accessories

Adjustable Kickstand  
Multi-functional Desktop Docking station  
Vehicle Mounting Charger Kit  
Car Power Charger  
Hand Strap  
Shoulder Strap  
Soft Shell Case  
Carry Bag

### Drawing <sup>2</sup>



Do Not Expose the Battery Pack to Excessive Heat, or Extreme Heat (Near Fire, in Direct Sunlight for example)

**Caution** Do not expose bare skin to this product when handling this unit in extreme hot or cold environments

1. Measured at dimming LCD brightness. Varies depending on the usage conditions, or when an external device is attached.

2. This is a simplified drawing and some components are not marked in detail.

## Assured Systems

Assured Systems is a leading technology company with over 1,500 regular clients in 80 countries, deploying over 85,000 systems to a diverse customer base in 12 years of business. We offer high-quality and innovative rugged computing, display, networking and data collection solutions to the embedded, industrial, and digital-out-of-home market sectors.

### US

[sales@assured-systems.com](mailto:sales@assured-systems.com)

Sales: +1 347 719 4508  
Support: +1 347 719 4508

1309 Coffeen Ave  
Ste 1200  
Sheridan  
WY 82801  
USA

### EMEA

[sales@assured-systems.com](mailto:sales@assured-systems.com)

Sales: +44 (0)1785 879 050  
Support: +44 (0)1785 879 050

Unit A5 Douglas Park  
Stone Business Park  
Stone  
ST15 0YJ  
United Kingdom

VAT Number: 120 9546 28  
Business Registration Number: 07699660