



XF800 Vehicle monitor

Introduction

XF800 rugged vehicle monitor designed by Inelmatic Electronics, brings the possibility of outdoor usage by its IP67 chassis for harsh environment design and direct sunlight readability enhancements.

The XF800 includes a high featured controller with automatic and manual back-light adjustment, depending of the ambient light, which makes it suitable for applications from the darkest night (NVIS) to the bright sun light.

Besides, the XF800 optionally includes a resistive touch panel with USB/RS232 controller, adding interactivity for low budget projects. XF800 also includes a rugged PCT (Projected Capacitive Multi-touch) touch screen as option which is not only with higher light transmission but thicker glass, anti-vandal, and no recalibration is required. Industries such as Medical Equipment and Industrial Instrument are looking toward a product with no fragile to scratches and cleaning, or required continued calibration due to drift, were not transparent enough, and in some instances did not work with a gloved hand.

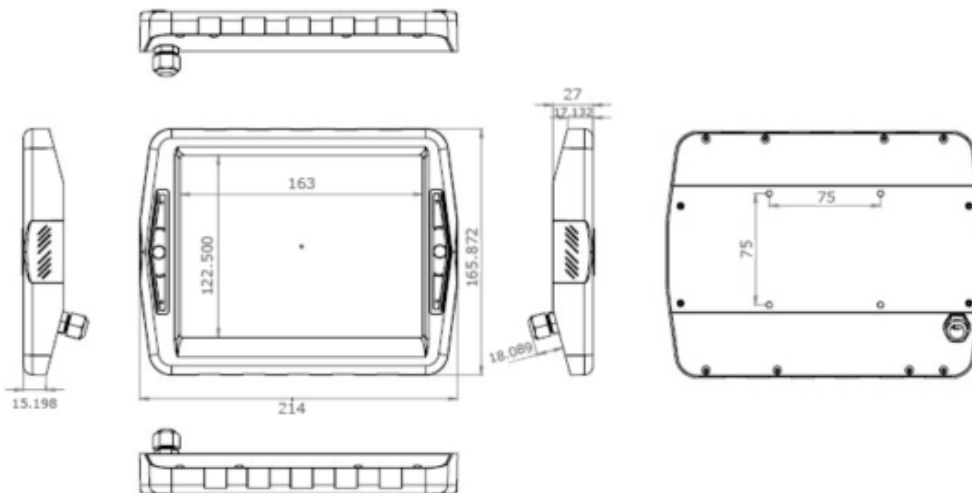
The XF1000 is available with VGA and Audio input as standard, optional DVI, Composite Video and S-Video inputs. All inputs are available as factory option on the rear panel. Optionally it includes "all in one cable", with a lockable connector(SCSI) or DSUB connector for an easy and quick installation.



Main features

- * High brightness ultra-low power LED backlight.
- * Sunlight readable.
- * 10 steps backlight dimmer and autodimmer.
- * Autopower on/off by VGA signal.
- * True 800x600px input mode.
- * One composite video input with autopower/autoswitch.
- * All in one cable with IP67 connectors, 2.5m and 4.5m Length optional.
- * Power 6-36V, meets automotive car/truck requirements.
- * Ultra low power consumption.
- * Wide temperature range.
- * Shock/Vibration proof.
- * Aluminium chassis.
- * VESA 75mm mounting holes and stand alone mount accessories.
- * IP67 optional.
- * PCT (Projected Capacitive Multi-touch) optional.
- * Customization available for small qty.

Drawing





XF800 Vehicle monitor

Specifications

Size	8 Inches
Aspect	4:3
Inputs	VGA/DVI/HDMI, 2 x Composite Video (3 x Composite Video optional)
Audio	2 x 1W
Touch Panel	Resistive 4 wires USB/RS232, Endurance>2M touch. PCT multi-Touch optional
Power supply	6-36VDC automotive car/truck suitable
Power consumption	Normal 6W, HB 8W
Mounting	Stand alone and headrest accesories optional
Warranty	12 months international, 24 months Europe
Certification	CE, e-mark*, EN50155*, CCC*

Mechanical and enviromental specs

Dimensions	214 x 165.9 x 27 mm
Weight	900gr
Enclosure	Aluminium chassis/rear. PVC-ABS front.
Operation temperature	-35°C to 70°C max (-20°C to 60°C continuous)
Storage temperature	-40°C to 85°C
Vibrations	1G 2-500Hz
Shock	20G 11ms
Drop	10cm max
Mounting	VESA 75mm mounting holes, Stand alone and headrest accesories.

Optical specifications

Brightness	300/500/1000nits
Contrast	500:1
Colors	16M
Native resolution	800x600px
Outdoor readability	Meets MIL-STD-3009 (sunlight readable version XF800HB-US/RS/UPS)
NVIS	Optional NVIS B compliant

ORDER INFORMATION

Code and Options: XF800HB-X Y V A C

High Brightness	
X - Touch Screen Option	
Resistive touch					
U: USB				
R: RS232				
PCT touch					
UP: PCT touch					
PM: Multi-touch PCT				
N: Non-touch					
Y - Usage Option	
N: Normal					
D: Day Light readable					
S: Sun Light readable					
					C - Cable Option
					2: 2.5 meters
					4: 4.5 meters
					C: Custom Cable
					A - Audio Option
					N:W/O Audio
					A: Stereo Audio
					V - Video Option
					V: Video Input
					N: W/O Video
					D: DVI Input

Example: XF800HB-UPSVA2 PCT Touch Panel, Sun Light readable, Video, Stereo Audio with 2.5 meters length cable.

Assured Systems

Assured Systems is a leading technology company with over 1,500 regular clients in 80 countries, deploying over 85,000 systems to a diverse customer base in 12 years of business. We offer high-quality and innovative rugged computing, display, networking and data collection solutions to the embedded, industrial, and digital-out-of-home market sectors.

US

sales@assured-systems.com

Sales: +1 347 719 4508
Support: +1 347 719 4508

1309 Coffeen Ave
Ste 1200
Sheridan
WY 82801
USA

EMEA

sales@assured-systems.com

Sales: +44 (0)1785 879 050
Support: +44 (0)1785 879 050

Unit A5 Douglas Park
Stone Business Park
Stone
ST15 0YJ
United Kingdom

VAT Number: 120 9546 28
Business Registration Number: 07699660