



**7th Gen Intel® Core™ Processor  
Fanless In-Vehicle System**



**VC70B-KU**

ULT

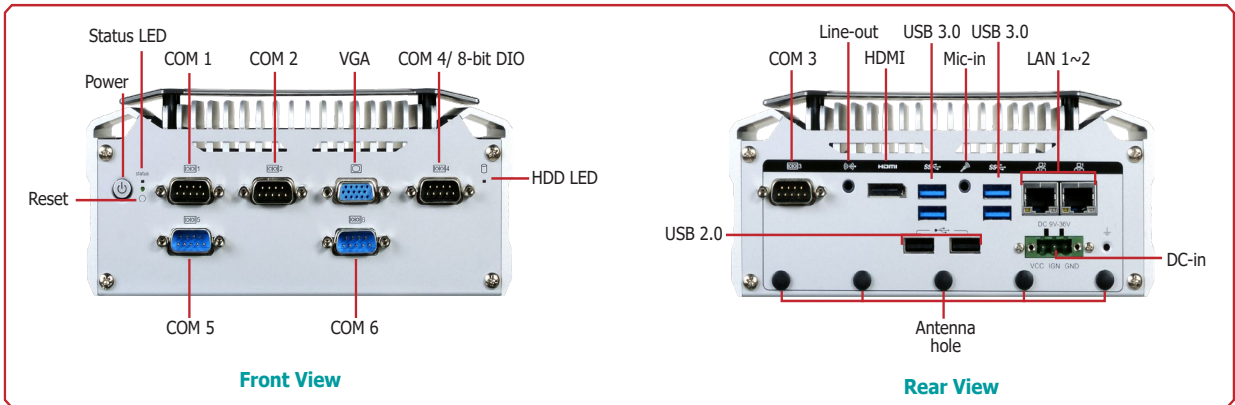


► **Features**

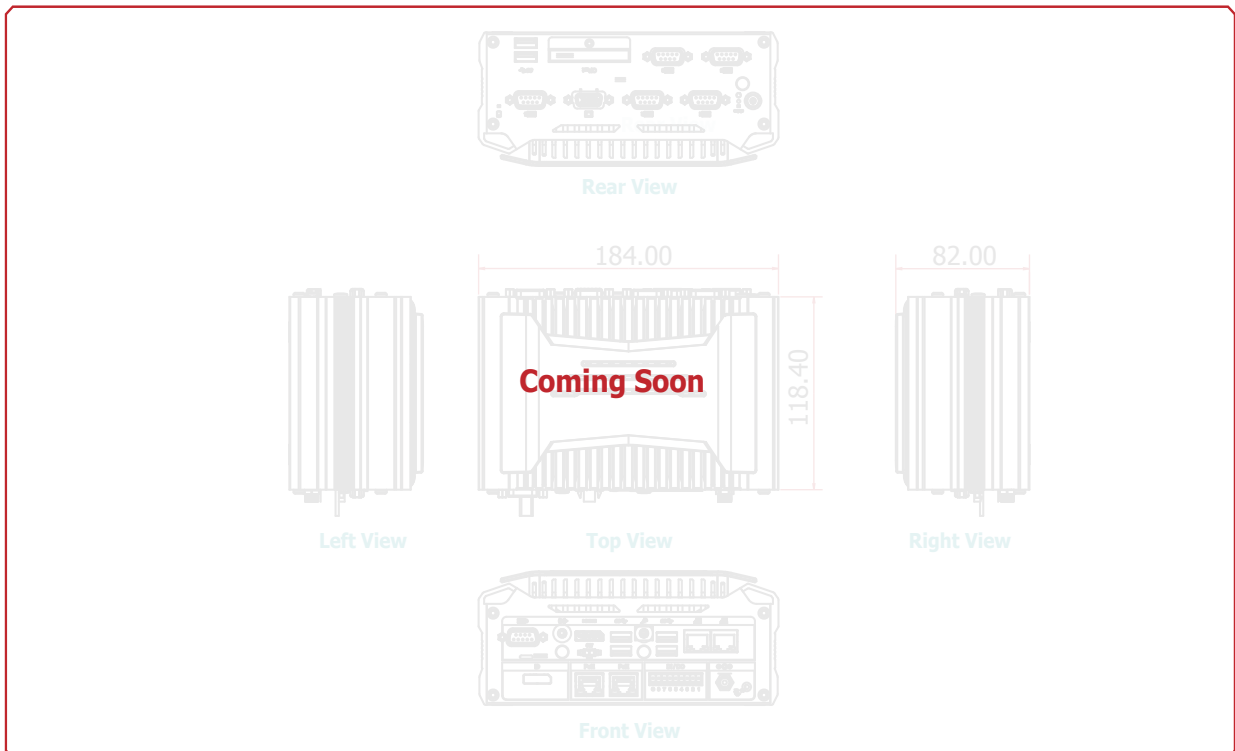
- Compact and Fanless In-Vehicle System
- 4GB/8GB DDR4 memory onboard
- 1x 2.5" SATA 3.0 Drive Bay
- Supports 2 Mini PCIe for Extension Modules
- Rich I/O ports: 2 Intel GbE, 6 COM, 4 USB 3.0, 2 USB 2.0



► **Panel**



► **Dimensions**





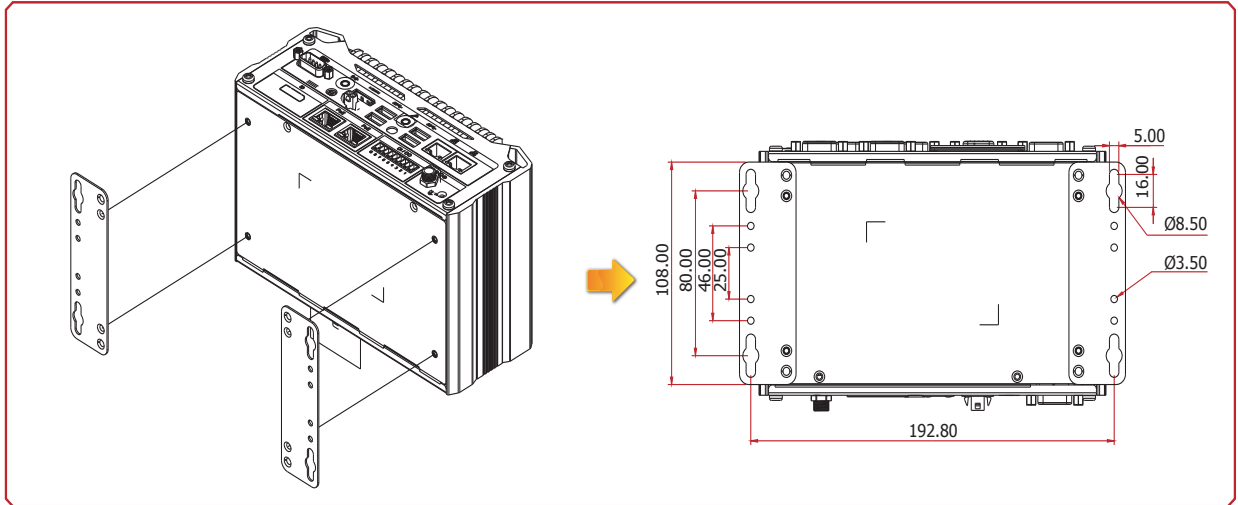
**Specifications**

<b>SYSTEM</b>	<b>Processor</b>	7th Generation Intel® Core™ Processors, FCBGA 1356 Intel® Core™ i7-7600U Processor, Dual Core, 4M Cache, 2.8GHz, 15W Intel® Core™ i5-7300U Processor, Dual Core, 3M Cache, 2.6GHz, 15W Intel® Core™ i3-7100U Processor, Dual Core, 3M Cache, 2.4GHz, 15W
	<b>Memory</b>	4GB/8GB Memory Onboard Dual Channel DDR4 2133MHz
	<b>BIOS</b>	Insyde SPI 128Mbit
	<b>GRAPHICS</b>	<b>Controller</b> Intel® HD Graphics GT Series <b>Display</b> 1 x VGA 1 x HDMI VGA: resolution up to 1920x1200 @ 60Hz HDMI: resolution up to 4096x2160 @ 24Hz <b>Dual Displays</b> VGA + HDMI
<b>STORAGE</b>	<b>Interface</b>	1 x 2.5" SATA 3.0 Drive Bay 1 x Full-size Mini PCIe (PCIe+USB) 1 x Half-size Mini PCIe (PCIe+USB+SATA)
<b>EXPANSION</b>	<b>Audio Codec</b>	Realtek ALC888 5.1-channel
<b>AUDIO</b>	<b>Controller</b>	1 x Intel® I210IT (10/100/1000Mbps) 1 x Intel® I219LM (10/100/1000Mbps)
<b>ETHERNET</b>	<b>Indicators</b>	1 x Status LED 1 x HDD LED
<b>LED</b>	<b>Serial</b>	2 x RS-232/422/485 (DB-9, COM 1~2) 3 x RS-232 (DB-9, COM 4~6, COM 4 supports 8-bit DIO or CAN-Bus )
<b>FRONT I/O</b>	<b>Display</b>	1 x VGA
	<b>Buttons</b>	1 x Power Button 1 x Reset Button
	<b>REAR I/O</b>	<b>Ethernet</b> 2 x GbE (RJ-45) <b>Serial</b> 1 x RS-232 (DB-9, COM 3) <b>USB</b> 4 x USB 3.0 (type A) 2 x USB 2.0 (type A) <b>Display</b> 1 x HDMI <b>Audio</b> 1 x Line-out 1 x Mic-in <b>Wi-Fi Antenna</b> 5 x Wi-Fi Module Antenna Hole
	<b>WATCHDOG TIMER</b>	<b>Output &amp; Interval</b> System Reset, Programmable via Software from 1 to 255 Seconds
<b>POWER</b>	<b>Type</b>	Wide Range 9~36V
	<b>Connector</b>	DC Jack
<b>OS SUPPORT</b>		Windows 10 (64-bit) Windows 10 IoT Enterprise (64-bit) Ubuntu 16.04 LTS
<b>MECHANISM</b>	<b>Construction</b>	Aluminum + Sheet Metal
	<b>Mounting</b>	Wall/VESA/DIN Rail Mount
	<b>Dimensions (W x H x D)</b>	184mm x 82mm x 118.4mm
	<b>Weight</b>	1.6 Kg
<b>ENVIRONMENT</b>	<b>Operating Temperature</b>	-20 to 60°C
	<b>Storage Temperature</b>	-20 to 85°C
	<b>Relative Humidity</b>	5 to 95% RH (non-condensing)
<b>STANDARDS AND CERTIFICATIONS</b>	<b>Shock</b>	MIL-STD 810G 516.6 Operating: 10G, 11ms Non-Operating: 40G, 11ms
	<b>Vibration</b>	MIL-STD 810G 514.6C-3
	<b>Certification</b>	CE, FCC Class A, RoHS

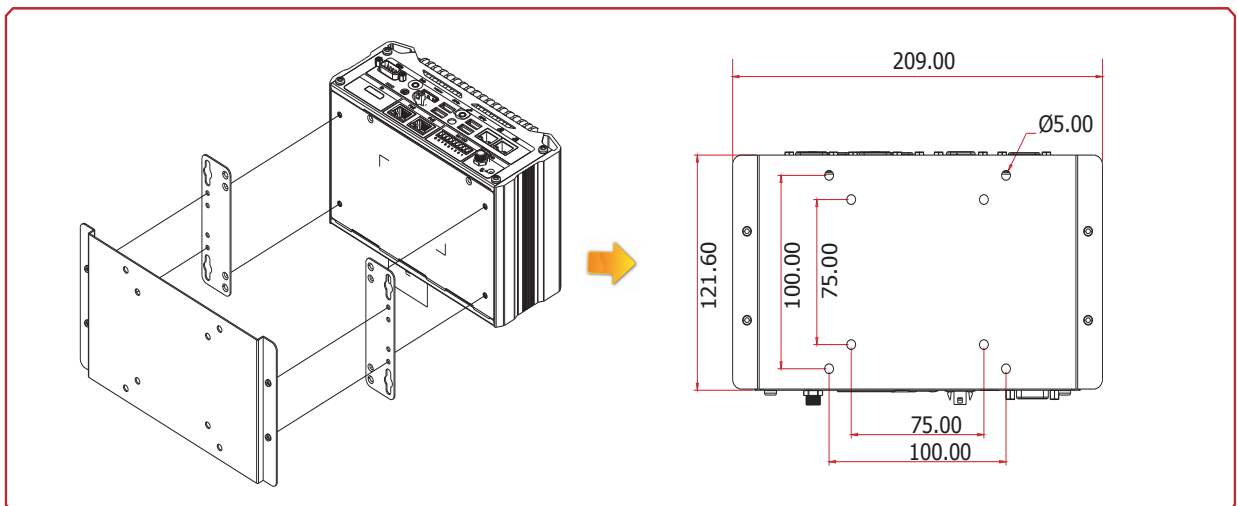


**VC70B-KU**

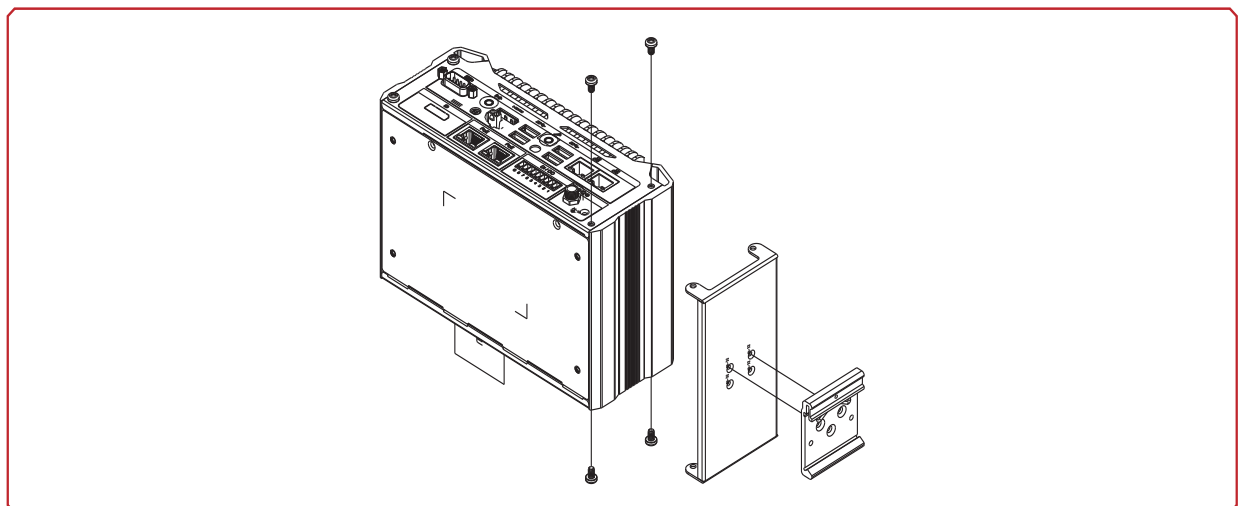
► **Wall Mounting**



► **VESA Mounting**



► **DIN Rail Mounting**





**Ordering Information**

Model Name	Part Number	Description
<b>VC70B-KU6862-714</b>	750-VC70B0-000G	Intel Core i3-7100U, 1 HDMI, 1 VGA, 2 LAN, 6 COM, 6 USB, 4GB DDR4 onboard
<b>VC70B-KU6862-738</b>	750-VC70B0-100G	Intel Core i5-7300U, 1 HDMI, 1 VGA, 2 LAN, 6 COM, 6 USB, 8GB DDR4 onboard
<b>VC70B-KU6862-768</b>	750-VC70B0-200G	Intel Core i7-7600U, 1 HDMI, 1 VGA, 2 LAN, 6 COM, 6 USB, 8GB DDR4 onboard

**Optional Items**

Optional Items	Part Number	Description
<b>SSD</b>	635-610002-110G	2.5" SATA SSD, 1TB MLC, RoHS
	635-605122-110G	2.5" SATA SSD, 512G MLC, RoHS
	635-602562-120G	2.5" SATA SSD, 256G MLC, RoHS
	635-601282-190G	2.5" SATA SSD, 128G MLC, RoHS
	635-600642-150G	2.5" SATA SSD, 64G MLC, RoHS
<b>mSATA</b>	638-712803-100G	mSATA Card, 128GB MLC, RoHS
	638-706405-110G	mSATA Card, 64GB MLC, RoHS
	638-703206-100G	mSATA Card, 32GB MLC, RoHS
<b>Wi-Fi</b>	761-110091-000G	Wi-Fi Kit, RoHS
<b>3G+GPS</b>	761-110040-600G	3G + GPS Kit, RoHS
<b>Power Adapter</b>	671-112005-100G	120W, 24V/5A for test/validation only
<b>Wall Mount</b>	761-EC8000-000G	EC700/800/70A/80A Wall Mount Kit, RoHS
<b>VESA Mount</b>	761-EC7000-100G	EC700/EC70A/EC70B VESA Mount Kit, RoHS
<b>DIN Rail Mount</b>	761-EC70B0-000G	EC70B DIN Rail Mount Kit, RoHS

**Packing List**

• 1 VC70B-KU system unit	TBD
• 4 Mounting screws for Mini PCIe module	531-510180-000G
• 1 Power Connector	342-360030-110G
• 1 CD disk includes:	TBD
- Drivers	

## Assured Systems

Assured Systems is a leading technology company with over 1,500 regular clients in 80 countries, deploying over 85,000 systems to a diverse customer base in 12 years of business. We offer high-quality and innovative rugged computing, display, networking and data collection solutions to the embedded, industrial, and digital-out-of-home market sectors.

### US

[sales@assured-systems.com](mailto:sales@assured-systems.com)

Sales: +1 347 719 4508  
Support: +1 347 719 4508

1309 Coffeen Ave  
Ste 1200  
Sheridan  
WY 82801  
USA

### EMEA

[sales@assured-systems.com](mailto:sales@assured-systems.com)

Sales: +44 (0)1785 879 050  
Support: +44 (0)1785 879 050

Unit A5 Douglas Park  
Stone Business Park  
Stone  
ST15 0YJ  
United Kingdom

VAT Number: 120 9546 28  
Business Registration Number: 07699660