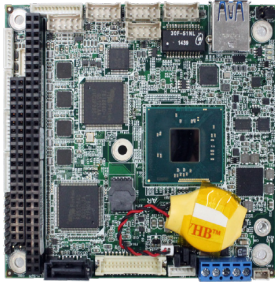




Em104-i230F R2.0



Wide-Range Temperature Intel® Atom™ E3800 PC/104 CPU Module



Features

- **Fanless Design**
- Support Intel® Atom™ E3800 Family
- Dual Gigabit Ethernet ports
- LVDS, Analog RGB Port
- Support Dual Independent Displays
- **Wide-Range Operating Temp.: -40 ~ 85°C**

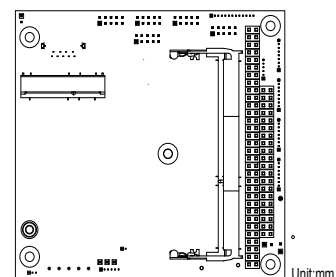
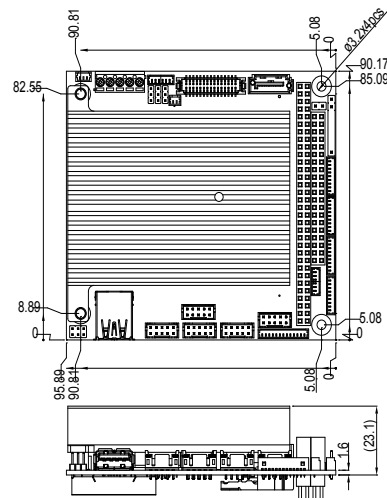
Computer on Module

System	
CPU	Soldered onboard Intel® Atom™ Processor E3825 dual-core 1.33GHz E3845 quad-core 1.91GHz
Memory	1 x DDR3L SO-DIMM socket, supporting up to 8GB 1333 MT/s SDRAM
BIOS	Insyde BIOS
Watchdog Timer	1~255 levels reset
I/O	
Super I/O Chip	Fintek F81866
Serial Port	2 x RS-232 2 x RS-232/422/485 selectable
USB Port	2 x USB 2.0 ports 1 x USB 3.0 port
KB/MS	6-pin wafer connector for PS/2 keyboard and mouse via Y-cable
Expansion	PC/104 interface
Storage	1 x Serial ATA port with 300MB/s HDD transfer rate 1 x mSATA socket (Socket shared and BIOS selectable with Mini-card)
Ethernet Chipset	2 x RTL8111H PCIe GbE controllers
Digital I/O	8-bit programmable
Audio	Realtek ALC888S HD Audio CODEC, Mic-in/Line-in/Line-out
Display	
Graphic Chipset	Integrated Intel® HD Graphics
Graphic Interface	Analog RGB that supports resolution up to 2048 x 1536 LCD: Dual Channel 24-bit LVDS
OS Support	
Windows 7 32-bit/64-bit without ISA support*	
Windows 8.1 32-bit/64-bit without ISA support*	
Windows 10 IoT	
Linux: Ubuntu	

*Note: OEM Request for ISA support

Mechanical & Environmental	
Power Requirement	+5V (Additional +12V might be required for LCD panel and PC104)
Power Consumption	1.81A@5V with E3825 (Typical) 2.24A@5V with E3845 (Typical)
Operating Temp.	-40 ~ 85°C (-40 ~ 185°F)
Operating Humidity	10 ~ 95% @ 85°C (non-condensing)
Dimension (L x W)	96 x 90 mm (3.8" x 3.5")

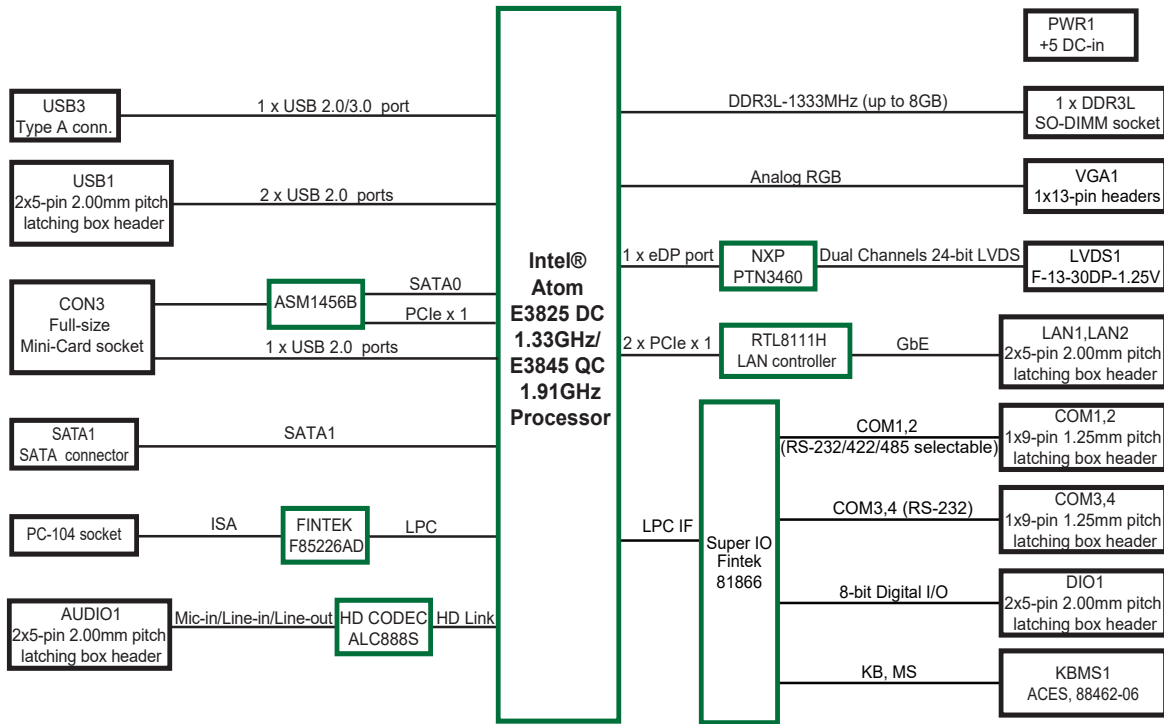
Dimensions



All specifications are subject to change without notice.



Block Diagram



Ordering Information

Em104-i230F-WT-E3825 R2.0	Intel® Atom™ Processor E3825 PC/104 WT CPU module, w/ RTL8111H, ALC888S, -40 ~ 85°C
Em104-i230F-WT-E3845 R2.0	Intel® Atom™ Processor E3845 PC/104 WT CPU module, w/ RTL8111H, ALC888S, -40 ~ 85°C

Optional Accessories

CBK-11-230F-00	Cable kit 1 x SATA cable 1 x Audio cable 4 x COM port cables 1 x KB & MS Y-cable 1 x USB cable 1 x VGA cable 2 x LAN cables
----------------	--

Assured Systems

Assured Systems is a leading technology company with over 1,500 regular clients in 80 countries, deploying over 85,000 systems to a diverse customer base in 12 years of business. We offer high-quality and innovative rugged computing, display, networking and data collection solutions to the embedded, industrial, and digital-out-of-home market sectors.

US

sales@assured-systems.com

Sales: +1 347 719 4508
Support: +1 347 719 4508

1309 Coffeen Ave
Ste 1200
Sheridan
WY 82801
USA

EMEA

sales@assured-systems.com

Sales: +44 (0)1785 879 050
Support: +44 (0)1785 879 050

Unit A5 Douglas Park
Stone Business Park
Stone
ST15 0YJ
United Kingdom

VAT Number: 120 9546 28
Business Registration Number: 07699660