

# LPC-P185W-LPx

18.5" Stainless Steel P-cap Panel PC with Intel 7th/6th Gen Kaby Lake-U/Skylake-U Core™ i7/i5/i3, 6 sides IP66 Waterproof Feature and Wide Range Power Input



## Features

- ▶ 7th/6th Gen Kaby Lake-U/Skylake-U Core™ i7/i5/i3
- ▶ 18.5" P-cap Flat Bezel
- ▶ DC 9~36V Wide Range Power Input
- ▶ 1920\*1280 Resolution
- ▶ Bottom Side M12 Plastic Connector
- ▶ M12 Plastic Waterproof Connectors
- ▶ Stainless Steel 304 Food Grade



System	
Processor	7th/6th Gen Kaby Lake-U/Skylake-U Core™ i7/i5/i3
System Memory	DDR4 2133MHz SO-DIMM, up to 16 GB
External I/O Port	2 x GIGA LAN External Waterproof cables by 1.5 meters (the end side is male RJ45) 1 x USB 2.0 External Waterproof cables by 1.5 meters (the end side is female USB 2.0) 1 x Power External Waterproof cables by 1.5 meters (the end side is 2 wire : ground & + ) 1 x COM (1 x RS-232/422/485) External Waterproof cables by 1.5 meters
Storage	1 x COM (1 x RS-232) External Waterproof cables by 1.5 meters (the end side is male COM 9 pin) 1 x HDMI (w/o Audio) 2 x SATA3 (6.0Gb/s) 1 x mSATA (full size mini-PCIe)
Operating System	Windows 7 (32/64bit) (Sky Lake-ULT Only) Windows 8.1 (64bit) Windows 10 (64bit)
Expansion	2 x MiniPCIe Slot

LCD	
Display Type	18.5" TFT LCD
Max. Resolution	1920*1280
Max. Color	16.7M
Luminance	350nits
View Angle	89/89/89/89
Backlight Lifetime	30,000 hours

Environment	
Operating Temp	-20~60 °C · IEC-60068-2-1/2/14
Storage Temp	-20~60 °C
Humidity	10~90% @40 °C, non-condensing
EMC	FCC / CE Class A Certification CE Class B Compliant
Vibration	1.5 Grms @10~500Hz, IEC-60068-2-64

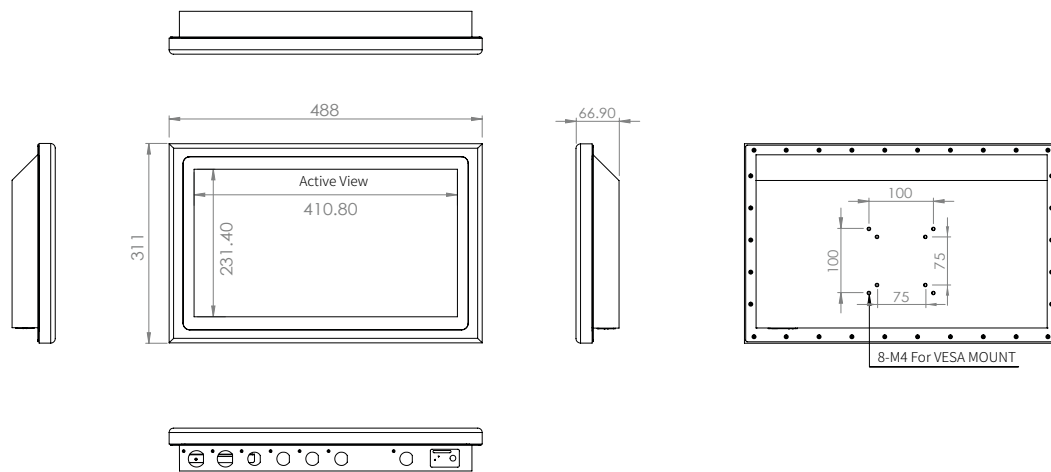
Power Requirement	
Power Input	M12 Power Input DC 9~36V Wide Range Power Input

Mechanical	
Construction	Stainless Steel case
IP Rating	IP66 with 6 sides
Mounting	VESA
Dimension	TBC

Touch Screen	
Type	18.5" P-cap USB interface

\* All specifications are subject to change without prior notice.

## Dimension & I/O Connector



### Ordering Information

LPC-P185W-LP5	18.5" Stainless Steel P-cap Panel PC with Intel Skylake-U i3-6100U, 6 sides IP66, and Waterproof M12 Plastic Connector
LPC-P185W-LP6	18.5" Stainless Steel P-cap Panel PC with Intel Skylake-U i5-6300U, 6 sides IP66, and Waterproof M12 Plastic Connector
LPC-P185W-LP7	18.5" Stainless Steel P-cap Panel PC with Intel Skylake-U i7-6600U, 6 sides IP66, and Waterproof M12 Plastic Connector
LPC-P185W-LP8	18.5" Stainless Steel P-cap Panel PC with Intel Skylake-U i5-7600U, 6 sides IP66, and Waterproof M12 Plastic Connector
WFK-024	WiFi kits w/ cable & Antenna (2.4GHz, 802.11 b/g/n, 1T1R)
WFK-524	WiFi kits w/ cable & Antenna (2.4 & 5GHz, 802.11 a/b/g/n/ac + BT, 2T2R)
04-US-26-00002	120 W / 24V power adapter with 3 pin terminal block (For High Brightness Model)

### Ordering Code

LPC-P185W-LPx Series	-H / -OB / -G / -AG / -AR / -B / -V
H	High Brightness 1000 nits LED backlight
OB	Optical Bonding
G	Glass without touch
AG	Anti-Glare
AR	Anti-Reflection
V	Vandal Proof Glass (By Project)

## Assured Systems

Assured Systems is a leading technology company with over 1,500 regular clients in 80 countries, deploying over 85,000 systems to a diverse customer base in 12 years of business. We offer high-quality and innovative rugged computing, display, networking and data collection solutions to the embedded, industrial, and digital-out-of-home market sectors.

### US

[sales@assured-systems.com](mailto:sales@assured-systems.com)

Sales: +1 347 719 4508  
Support: +1 347 719 4508

1309 Coffeen Ave  
Ste 1200  
Sheridan  
WY 82801  
USA

### EMEA

[sales@assured-systems.com](mailto:sales@assured-systems.com)

Sales: +44 (0)1785 879 050  
Support: +44 (0)1785 879 050

Unit A5 Douglas Park  
Stone Business Park  
Stone  
ST15 0YJ  
United Kingdom

VAT Number: 120 9546 28  
Business Registration Number: 07699660