



6th Gen Intel® Core™ Processor
Desktop Box IPC



ST102-SD

H110



Features

- Supports 4GB/8GB DDR4 SODIMM
- 1x 2.5" SATA drive bay
1x optional slim ODD bay
- 2 LAN, 4 USB



Panel

Front View

- Slim ODD bay (optional)
- HDD LED
- Power LED
- Power Button
- USB 2.0
- Mic-in
- Line-out

Rear View

- DC-in
- DVI-I
- HDMI/DP
- USB 3.0
- LAN1~2

Stand View

Dimensions

Front View: 79.10 (height), 75.10 (width)

Left View: 3.10 (depth)

Right View: 229.70 (height)

Rear View: (width)



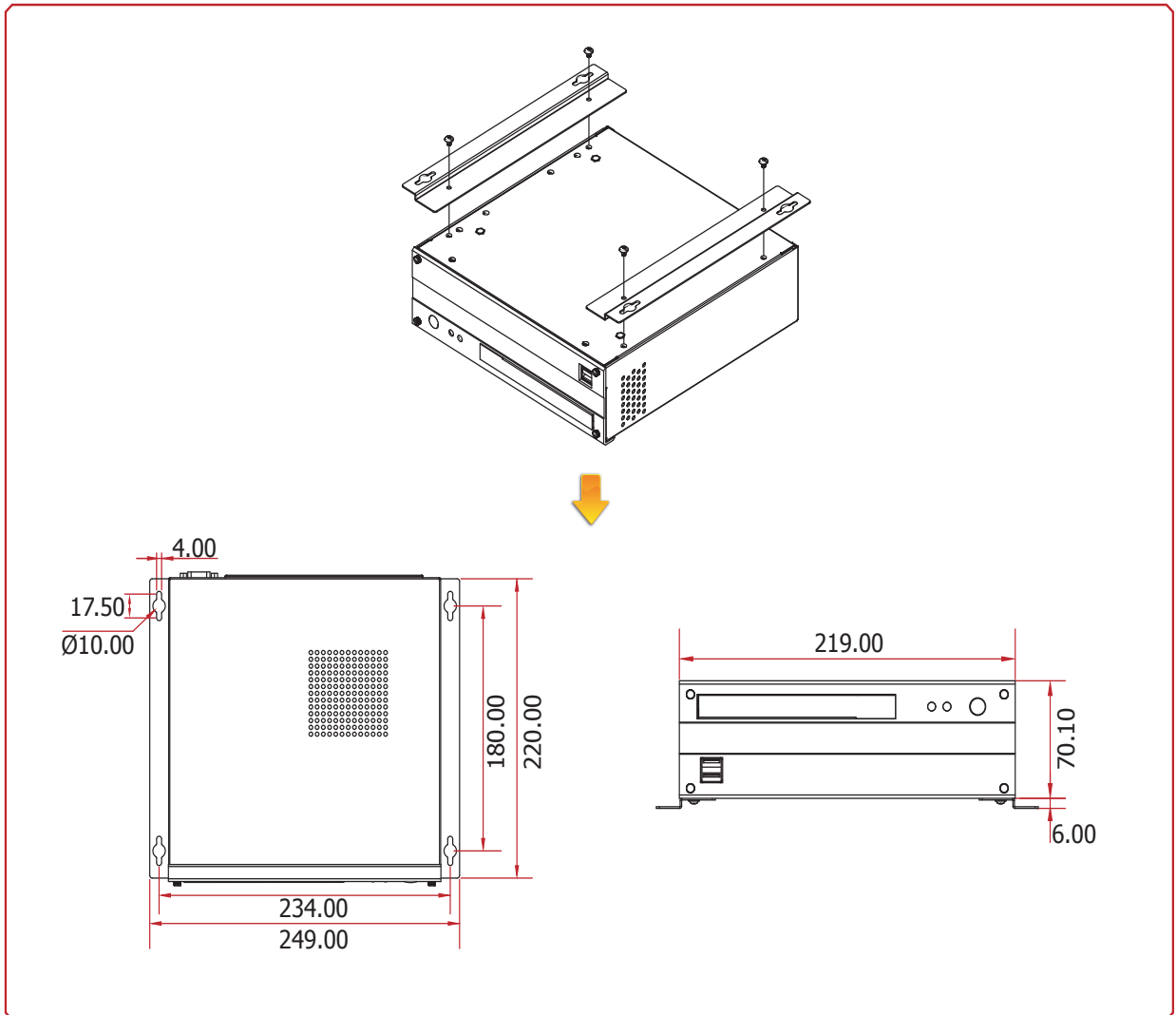
Specifications

SYSTEM	Processor	6th/7th Generation Intel® Core™ Processors, LGA 1151 Socket Intel® Core™ i7-7700T, Quad Core, 8M Cache, 2.9GHz (3.8GHz), 35W Intel® Core™ i5-7500T, Quad Core, 6M Cache, 2.7GHz (3.3GHz), 35W Intel® Core™ i3-7101T, Dual Core, 3M Cache, 3.4GHz, 35W Intel® Celeron® Processor G3930TE, Dual Core, 2M Cache, 2.7GHz, 35W Intel® Core™ i7-6700TE, Quad Core, 8M Cache, 2.4GHz (3.4GHz), 35W Intel® Core™ i5-6500TE, Quad Core, 6M Cache, 2.3GHz (3.3GHz), 35W Intel® Core™ i3-6100TE, Dual Core, 4M Cache, 2.7GHz, 35W Intel® Pentium® G4400TE, Dual Core, 3M Cache, 2.4GHz, 35W Intel® Celeron® Processor G3900TE, Dual Core, 2M Cache, 2.6GHz, 35W	
	Chipset	Intel® H110 Chipset	
	Memory	4GB/8GB Two 260-pin SODIMM	Dual Channel DDR4 1866/2133/2400MHz
	BIOS	AMI SPI 64Mbit	
	GRAPHICS	Controller	Intel® HD Graphics
	Feature	Supports 6 Graphics Execution Units (EUs) Intel® Clear Video Technology DirectX Video Acceleration (DXVA) support for accelerating video processing	
	Display	1 x DVI-I (DVI-D signal) 1 x HDMI/DP (DP available upon request)	DVI-I: resolution up to 1920x1200 @ 60Hz HDMI: resolution up to 2560x1600 @ 60Hz or 4096x2160 @ 60Hz DP: resolution up to 4096x2304 @ 60Hz
	Dual Displays	DVI-I (DVI-D signal) + HDMI/DP	
STORAGE		1 x 2.5" SATA 3.0 Drive Bay 1 x Slim ODD Bay (optional)	
AUDIO	Audio Codec	Realtek ALC888	
ETHERNET	Controller	1 x Intel® I210AT PCIe (10/100/1000Mbps) 1 x Intel® I219LM PCIe with iAMT11.0 (10/100/1000Mbps)	
LED	Indicators	1 x Power LED 1 x HDD LED	
FRONT I/O	USB	2 x USB 2.0	
	Audio	1 x Line-out 1 x Mic-in	
	Buttons	1 x Power Button	
REAR I/O	Ethernet	2 x GbE (RJ-45)	
	USB	4 x USB 3.0	
	Display	1 x DVI-I (DVI-D signal) 1 x HDMI/DP	
COOLING	Fan	1 x System Fan 1 x CPU Fan	
WATCHDOG TIMER	Output & Interval	System Reset, Programmable via Software from 1 to 255 Seconds	
POWER	Type	12V	
	Connector	DC Jack	
OS SUPPORT		Windows 10 IoT Enterprise 64-bit	
MECHANISM	Construction	Sheet Metal & Aluminum	
	Mounting	Wall mount	
	Dimensions (W x H x D)	219mm x 77.15mm x 229.7mm	
	Weight	TBD	
ENVIRONMENT	Operating Temperature	0 to 40°C	
	Storage Temperature	-20 to 70°C	
	Relative Humidity	10 to 85% RH (non-condensing)	
STANDARDS AND CERTIFICATIONS	Shock	Operating: 3G	Non-operating: 5G
	Vibration	Operating: Random 5~500Hz 1G	Non-operating: Sweep Sine 10~500Hz 1.5G
	Package Drop	ISTA Project 1A	
	Certification	CE/FCC/VCCI/RoHS	



ST101-HD171

▶ **Wall Mounting**



ST101-HD171



Ordering Information

Model Name	Part Number	Description
ST102-SD	750-ST1020-091G	ST101-HD171: HD171-H81, 12V DC-in, RoHS

Optional Items

Optional Items	Part Number	Description
Power Adapter	671-110005-100G	AC input, DC output 12V 100W, Level 6
Slim ODD	632-222010-010G	DVD RW Slim Type SATA,DS-8ACSH, PLDS
CPU	785-1150DL	CPU, LGA1150, Long-term support, RoHS
Memory	785-RSOD38G-L	SODIMM, DDR3L Module (supports dual voltage 1.5V DDR3/1.35V DDR3L), 8GB, RoHS
	785-RSOD34G-L	SODIMM, DDR3L Module (supports dual voltage 1.5V DDR3/1.35V DDR3L), 4GB, RoHS
	785-RSOD32G-L	SODIMM, DDR3L Module (supports dual voltage 1.5V DDR3/1.35V DDR3L), 2GB, RoHS
	785-RSOD31G	SODIMM, DDR3 Module, 1GB, RoHS
HDD	785-H25500G	2.5" SATA HDD, 500GB, RoHS
	785-H25320G	2.5" SATA HDD, 320GB, RoHS
	785-S251TBG	2.5" SATA SSD, 1TB MLC, RoHS
	785-S25512G	2.5" SATA SSD, 512GB MLC, RoHS
	785-S25256G	2.5" SATA SSD, 256GB MLC, RoHS
	785-S25128G	2.5" SATA SSD, 128GB MLC, RoHS
	785-S25064G	2.5" SATA SSD, 64GB MLC, RoHS
SSD mSATA	785-MS128GTF	mSATA Card, 128GB 3D TLC, RoHS
	785-MS256GTF	mSATA Card, 256GB 3D TLC, RoHS
	785-MS512GTF	mSATA Card, 512GB 3D TLC, RoHS
	785-MS1TTF	mSATA Card, 1TB 3D TLC, RoHS
Wi-Fi	761-110091-000G	Wi-Fi Kit, RoHS
Power Cord	785-PWRD	Power Cord, Standards (USA/EUR/CH), 1.8m, RoHS

Packing List

• 1 ST101-HD171 system unit
• 1 CPU cooler
• 1 HDD drive bay kit
• 1 Heatsink/fan
• 1 Quick Installation Guide
• 1 CD disk includes:
- Drivers / Manual

Assured Systems

Assured Systems is a leading technology company with over 1,500 regular clients in 80 countries, deploying over 85,000 systems to a diverse customer base in 12 years of business. We offer high-quality and innovative rugged computing, display, networking and data collection solutions to the embedded, industrial, and digital-out-of-home market sectors.

US

sales@assured-systems.com

Sales: +1 347 719 4508
Support: +1 347 719 4508

1309 Coffeen Ave
Ste 1200
Sheridan
WY 82801
USA

EMEA

sales@assured-systems.com

Sales: +44 (0)1785 879 050
Support: +44 (0)1785 879 050

Unit A5 Douglas Park
Stone Business Park
Stone
ST15 0YJ
United Kingdom

VAT Number: 120 9546 28
Business Registration Number: 07699660