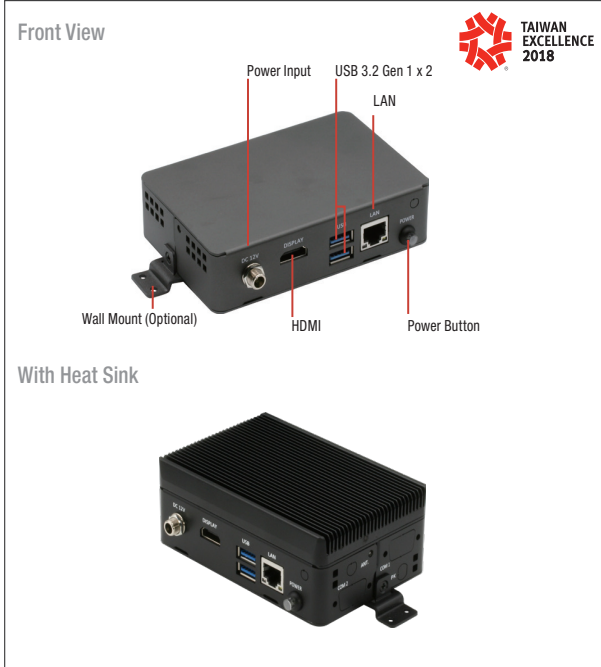


PICO-APL3-SEMI

PICO-SEMI Embedded Barebone Kit with Intel® Celeron/Pentium Processor SoC

PICO-SEMI



Features

- 180g Extreme Light System, Easy To Adapter Everywhere
- Gigabit Ethernet for Networking Connection
- USB 3.2 Gen 1 Connectivity
- HDMI
- M.2 2280 (B) M.2 2230 (E) Slot for WiFi/3G/4G Bluetooth Module
- Fix Holes for Antenna, Wallmount, DIN-Rail Kit Optional
- Lockable 12V DC Input



SERIAL PORT	—
VIDEO	—
SATA	SATA III x 1 +5V SATA Power Connector x 1 eMMC 32GB
AUDIO	—
DIO/GPIO	4-bit (Optional)
SMBus/I2C	I2C/I2S x 1 (I2C as default) (Optional)
Touch	—
FAN	—
SIM	—
Front Panel	HDD LED, PWR LED, Power Button, Buzzer, Reset
Others	—
EXPANSION	
Mini PCI-E/mSATA	—
M.2	M.2 B-Key 2280 x 1 (SATA/USB) M.2 E-Key 2230 x 1 (PCIe/USB)
Others	—
ENVIRONMENT & CERTIFICATION	
OPERATING TEMP	32°F ~ 122°F (0°C ~ 50°C) with 0.5 m/s airflow
STORAGE TEMP	-40°F ~ 185°F (-40°C ~ 85°C)
OPERATING HUMIDITY	0% ~ 90% relative humidity, non-condensing
MTBF (HOURS)	110,000
EMC	CE/FCC Class A

Specifications

SYSTEM	
FORM FACTOR	PICO-SEMI
CPU	Intel® Celeron®/Pentium® Processor: Pentium N4200 (4C/4T, 1.10GHz, up to 2.50GHz, TDP 6W) Celeron N3350 (2C/2T, 1.10GHz, up to 2.40GHz, TDP 6W)
CHIPSET	Integrated with Intel® SoC
MEMORY TYPE	Onboard DDR3L up to 4GB
BIOS	UEFI
WAKE ON LAN	Yes
WATCHDOG TIMER	255 Levels
SECURITY	—
RTC Battery	Lithium Battery 3V/240mAh
DIMENSION	W/O heat sink: 4.8" x 3.15" x 1.18" (122 x 80 x 30 mm) W/ heat sink: 4.8" x 3.15" x 1.73" (122 x 80 x 44 mm)
Gross Weight	W/O heat sink: 0.38 lb (0.17 kg) W/ heat sink: 0.91 lb (0.41 kg)
OS Support	Windows 10 (64 bit)
POWER	
POWER REQUIREMENT	+12V
POWER SUPPLY TYPE	ATX
CONNECTOR	DC Jack Connector
POWER CONSUMPTION	Intel® N4200 processor, DDR3L 4GB, eMMC 32GB, 1.1A@+12V(TYPICAL)
DISPLAY	
CONTROLLER	Intel® HD Graphics 500/505
LVDS/eDP	—
Display Interface	HDMI 1.4b x 1 (up to 3840 x 2160@30Hz)
Multiple Display	1 Simultaneous Display
AUDIO	
CODEC	Realtek ALC269 (Optional)
AUDIO INTERFACE	Line-out (Optional)
Speaker	Amplifier Header (Optional)
EXTERNAL I/O	
ETHERNET	Realtek 8111 Gigabit Ethernet 10/100/1000Base, RJ-45 x 1
USB	USB 3.2 Gen 1 x 2
SERIAL PORT	COM1, COM2 (RS232) (Optional)
VIDEO	HDMI 1.4b x 1 (up to 3840 x 2160@30Hz)
INTERNAL I/O	
USB	—

Packing List

- PICO-APL3-SEMI

Optional Accessories

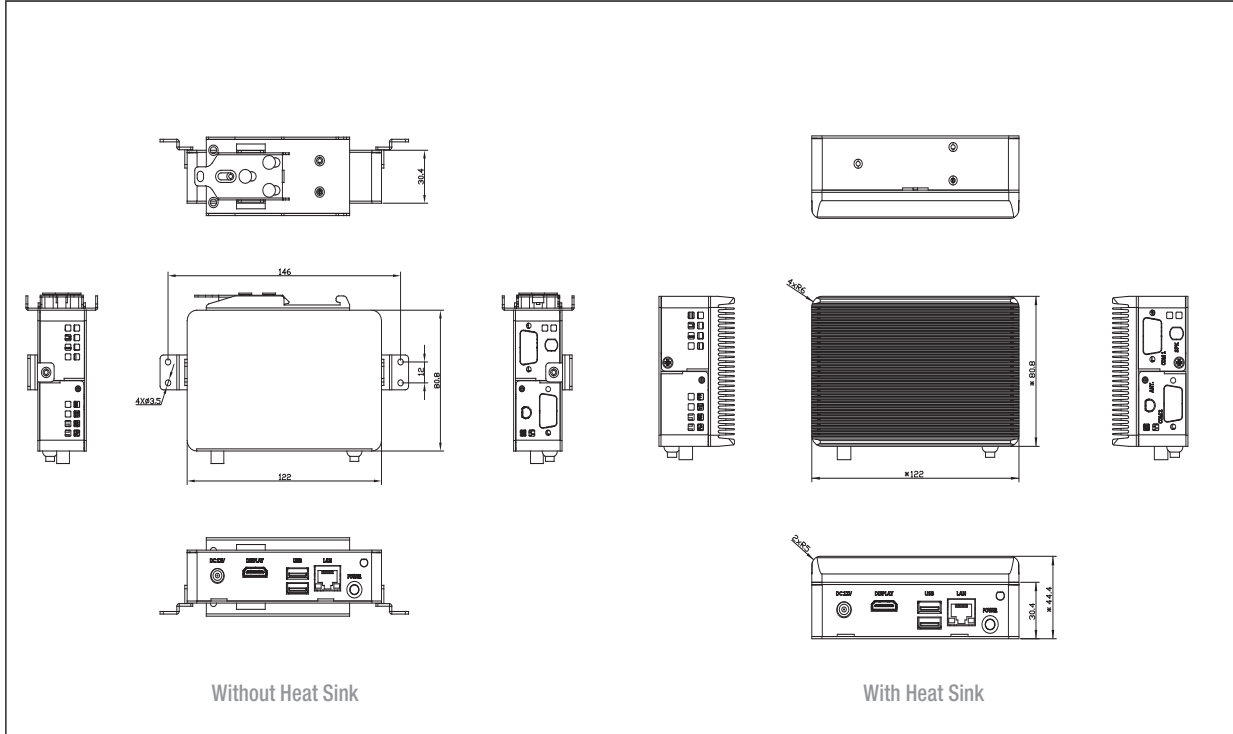
Part Number	Description	Qty.
125530040C	Power Adapter.12V.40W.FSP.FSP040-DHAN3	1
125530060Z	Power Adapter 12V/5A 60W FSP060-DHAN3	1
1702031802	Power Cord (US Type)	1
1702031803	Power Cord (European Type)	1
170203180E	Power Cord (Japan Type)	1
1701090122	COM Port Cable	2
1703100084	Audio Line-out	1
9761SEMI00	Wallmount Kit	1
9761SEMI01	DIN-Rail Kit	1

PICO-APL3-SEMI

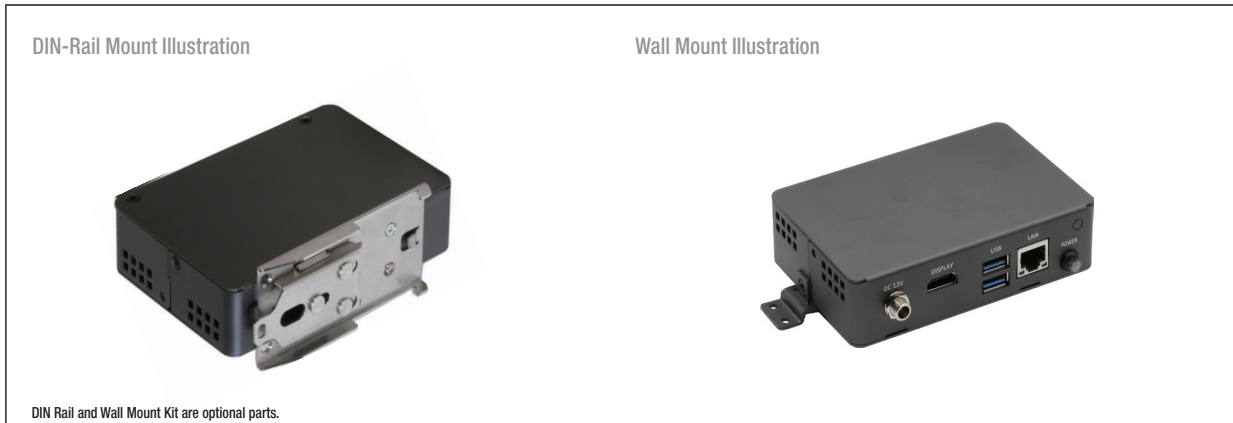
03

PICO-SEMI

Dimension Unit: mm



Installation Scenario



Ordering Information

Part number	CPU	Memory	Thermal	Display	Storage	LAN	USB	Expansion slot	Power	Operating Temp	Others
PICO-APL3-SEMI-A10-FS01	N3350	Onboard DDR3L 2GB	W/ heat sink	HDMI x 1	SATAIII x 1 eMMC 32GB	GbE x 1	USB3.2 Gen 1 x 2	M.2 2280 B-key x 1 M.2 2230 E-key x 1	+12V (ATX)	0~50°C	I2C x 1
PICO-APL3-SEMI-A10-FS02	N3350	Onboard DDR3L 4GB	W/ heat sink	HDMI x 1	SATAIII x 1 eMMC 32GB	GbE x 1	USB3.2 Gen 1 x 2	M.2 2280 B-key x 1 M.2 2230 E-key x 1	+12V (ATX)	0~50°C	I2C x 1
PICO-APL3-SEMI-A10-FS03	N4200	Onboard DDR3L 4GB	W/ heat sink	HDMI x 1	SATAIII x 1 eMMC 32GB	GbE x 1	USB3.2 Gen 1 x 2	M.2 2280 B-key x 1 M.2 2230 E-key x 1	+12V (ATX)	0~50°C	I2C x 1
PICO-APL3-SEMI-A10-FS04	N3350	Onboard DDR3L 2GB	W/O heat sink	HDMI x 1	SATAIII x 1 eMMC 32GB	GbE x 1	USB3.2 Gen 1 x 2	M.2 2280 B-key x 1 M.2 2230 E-key x 1	+12V (ATX)	0~50°C	I2C x 1
PICO-APL3-SEMI-A10-FS05	N3350	Onboard DDR3L 4GB	W/O heat sink	HDMI x 1	SATAIII x 1 eMMC 32GB	GbE x 1	USB3.2 Gen 1 x 2	M.2 2280 B-key x 1 M.2 2230 E-key x 1	+12V (ATX)	0~50°C	I2C x 1
PICO-APL3-SEMI-A10-FS06	N4200	Onboard DDR3L 4GB	W/O heat sink	HDMI x 1	SATAIII x 1 eMMC 32GB	GbE x 1	USB3.2 Gen 1 x 2	M.2 2280 B-key x 1 M.2 2230 E-key x 1	+12V (ATX)	0~50°C	I2C x 1

Note: All specifications are subject to change without notice.

www.aaeon.com

03-30

Assured Systems

Assured Systems is a leading technology company with over 1,500 regular clients in 80 countries, deploying over 85,000 systems to a diverse customer base in 12 years of business. We offer high-quality and innovative rugged computing, display, networking and data collection solutions to the embedded, industrial, and digital-out-of-home market sectors.

US

sales@assured-systems.com

Sales: +1 347 719 4508
Support: +1 347 719 4508

1309 Coffeen Ave
Ste 1200
Sheridan
WY 82801
USA

EMEA

sales@assured-systems.com

Sales: +44 (0)1785 879 050
Support: +44 (0)1785 879 050

Unit A5 Douglas Park
Stone Business Park
Stone
ST15 0YJ
United Kingdom

VAT Number: 120 9546 28
Business Registration Number: 07699660