

ecom

A PEPPERL+FUCHS BRAND



Loc-Ex® 01

Mounting instructions

Content

1. General 3

2. Mounting instructions 3

2.1 Mounting the beacon 3

2.2 Mounting the mounting plate 4

3. Cleaning, maintenance and storage 6

4. Warranty and liability 6

1. General

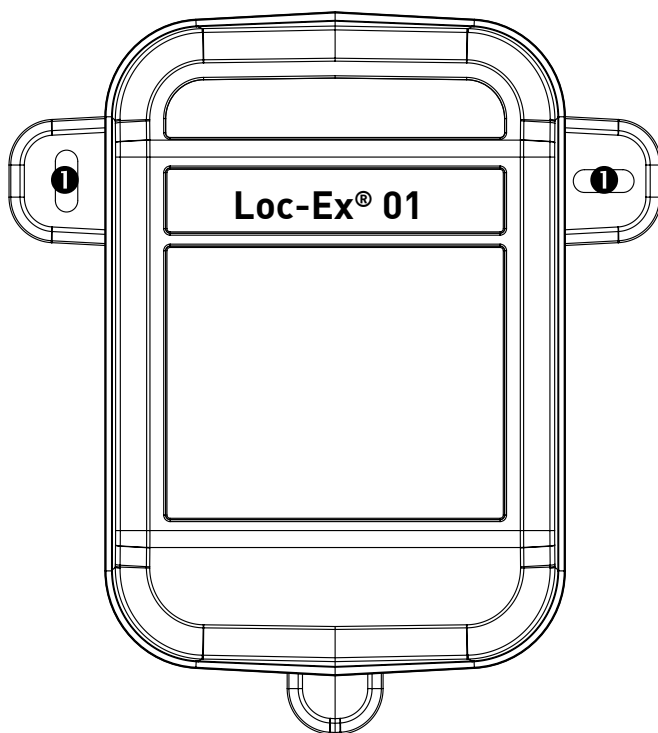
The Loc-Ex[®] 01 can be fixed to a suitable surface directly or via the optional mounting plate.

2. Mounting instructions

2.1 Mounting the beacon

The Loc-Ex[®] 01 can be fixed directly to a suitable surface.

Device dimensions: 48 x 111 x 102 mm (H x L x W)



❶ for wall mounting

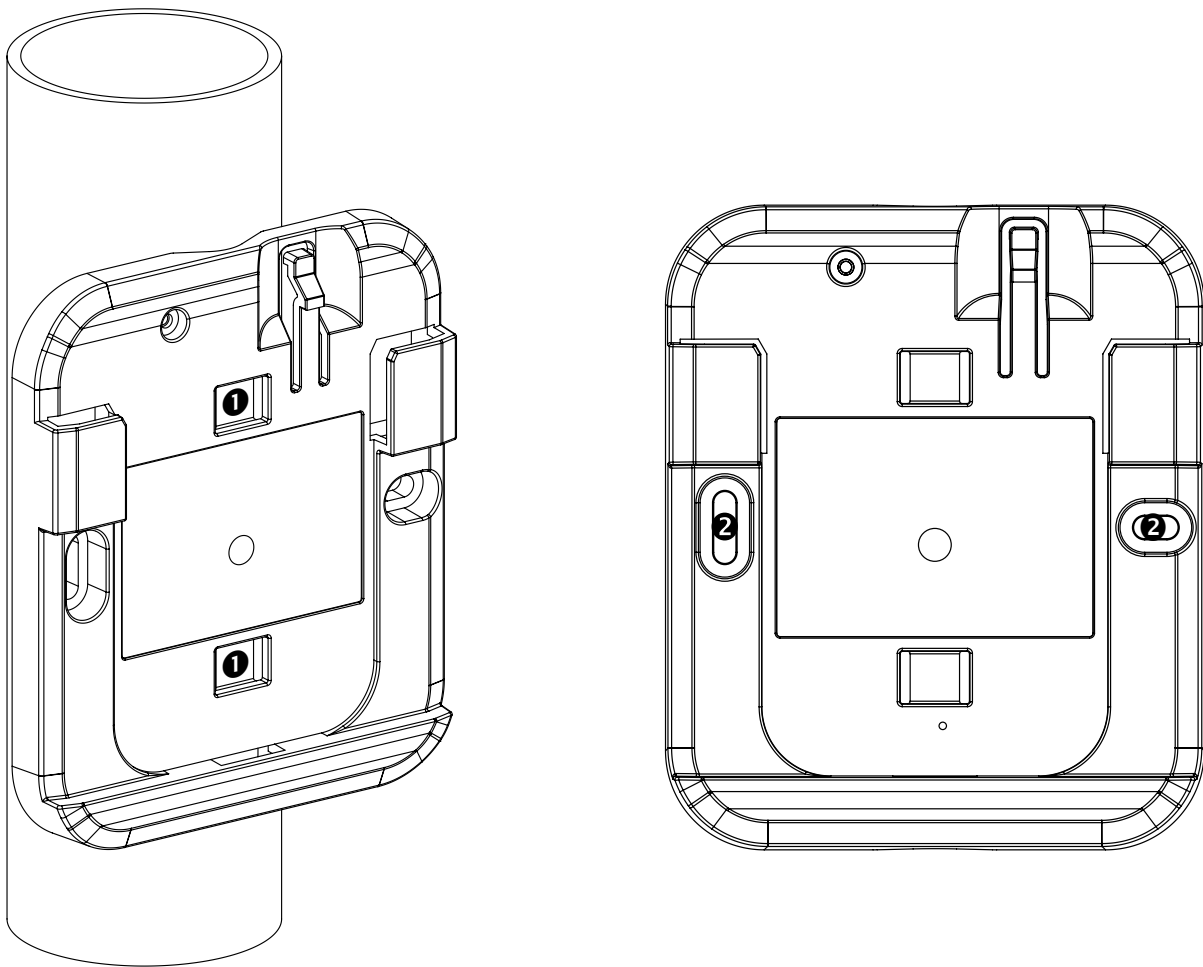
The supplied drilling template DOCT-7028 can be used to facilitate the process for marking the drill holes.

2.2 Mounting the mounting plate

Only the manufacturer-approved mounting plate MP L01 may be used.

The mounting plate can be fixed to a suitable surface (wall/pipe) (see image). The supplied drilling template DOCT-7028 can be used to facilitate the process for marking the drill holes.

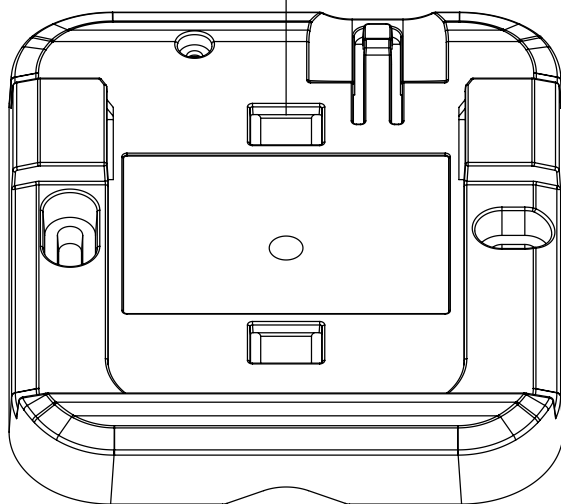
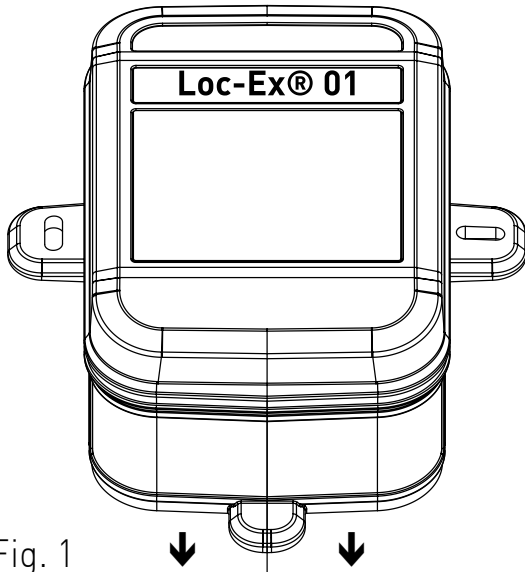
Mounting plate dimensions: 130 x 109 x 17 mm (W x H x D)



❶ for pipe mounting

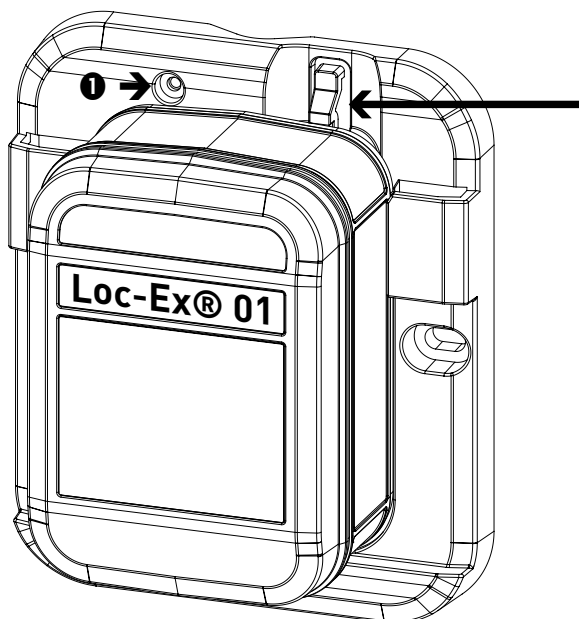
❷ for wall mounting

After installing the mounting plate the beacon can be inserted as follows:



Insert the beacon in the direction of the arrow as shown in Fig. 1 and slide it downwards, until the catch engages (see Fig. 2).

Fig. 2
Catch engaged



① A locking screw (not supplied) can be inserted into the designated hole to provide additional security for the beacon.

3. Cleaning, maintenance and storage

- Only clean the device and the plate by using a damp cloth. Do not use any solvents or abrasive cleaning agents when cleaning.
- For additional maintenance and storage instructions for the beacon, please refer to the separate safety instructions.

4. Warranty and liability

The warranty for this product follows the General Terms & Conditions of Delivery & Payment of ECOM Instruments GmbH, which are available at www.ecom-ex.com or can be obtained directly from the manufacturer.

Copyright© 2020 ECOM Instruments GmbH.

The contents of this document, either in part or in their entirety, may not be reproduced, forwarded, distributed or saved in any way without ECOM Instruments GmbH prior written consent.

The contents of this document are presented as they currently exist. ecom instruments GmbH does not provide any express or tacit guarantee for the correctness or completeness of the contents of this document, including, but not restricted to, the tacit guarantee of market suitability or fitness for a specific purpose unless applicable laws or court decisions make liability mandatory. ECOM Instruments GmbH reserves the right to make changes to this document or to withdraw it any time without prior notice.

DOCT-7029 | 01/2021

WEEE-Reg.-Nr. DE 934 99306

Änderungen vorbehalten! Subject to change without notice.

ECOM Instruments GmbH | Industriestraße 2 | 97959 Assamstadt | Germany
Phone +49 62 94 42 24 0 | Fax +49 62 94 42 24 100
sales@ecom-ex.com | www.ecom-ex.com

Assured Systems

Assured Systems is a leading technology company with over 1,500 regular clients in 80 countries, deploying over 85,000 systems to a diverse customer base in 12 years of business. We offer high-quality and innovative rugged computing, display, networking and data collection solutions to the embedded, industrial, and digital-out-of-home market sectors.

US

sales@assured-systems.com

Sales: +1 347 719 4508
Support: +1 347 719 4508

1309 Coffeen Ave
Ste 1200
Sheridan
WY 82801
USA

EMEA

sales@assured-systems.com

Sales: +44 (0)1785 879 050
Support: +44 (0)1785 879 050

Unit A5 Douglas Park
Stone Business Park
Stone
ST15 0YJ
United Kingdom

VAT Number: 120 9546 28
Business Registration Number: 07699660