



www.transcend-info.com



Embedded Solutions

PCIe M.2 SSDs

MTE662T2



Transcend's MTE662T2 M.2 SSD features the PCI Express (PCIe) Gen 3 x4 interface and is compatible with NVMe Express (NVMe) 1.3 specifications to achieve never-before-seen transfer speeds. The MTE662T2 features state-of-the-art 3D NAND technology, which allows 96 layers of 3D NAND flash chips to be vertically stacked. Compared to 3D NAND at 64 layers, this density breakthrough greatly improves storage efficiency, and its built-in DRAM cache allows faster access. Applied with 30μ" gold finger PCB and Corner Bond technology, the MTE662T2 is fully tested in-house to guarantee reliability in mission-critical applications, boasting an endurance rating of 3K Program/Erase cycles and an extended operating temperature ranging from -20°C~75°C.

Hardware Features

- Endurance: 3K P/E cycles (Program/Erase cycles) guaranteed
- 30μ" PCB gold finger
- Key components fortified by default with Corner Bond technology
- DDR4 DRAM Cache embedded
- Promised operational reliability in an extended temperature range (from -20°C to 75°C)

Ordering Information

128GB	TS128GMTE662T2
256GB	TS256GMTE662T2
512GB	TS512GMTE662T2
1TB	TS1TMTE662T2
2TB	TS2TMTE662T2

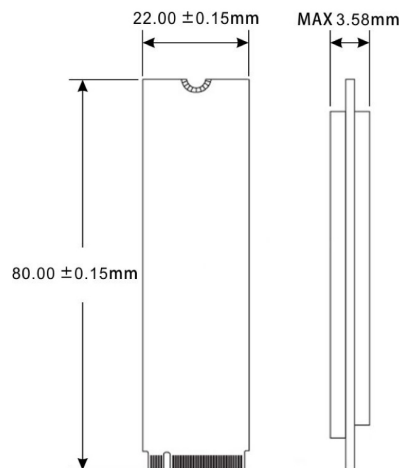
Firmware Features

- SLC caching technology
- Supports NVM command
- Built-in LDPC ECC (Error Correction Code) functionality
- Dynamic thermal throttling
- Enhanced S.M.A.R.T. function for durability

Specifications

Appearance	Dimensions	80 mm x 22 mm x 3.58 mm (3.15" x 0.87" x 0.14")
	Weight	9 g (0.32 oz)
	Form Factor	M.2
	M.2 Type	2280-D2-M (Double-sided)
Interface	Bus Interface	NVMe PCIe Gen3 x4
Storage	Flash Type	3D NAND flash
	Capacity	128 GB / 256 GB / 512 GB / 1 TB / 2 TB
Operating Environment	Operating Voltage	3.3V±5%
	Operating Temperature	Extended -20°C (-4°F) ~ 75°C (167°F)
	Storage Temperature	-55°C (-67°F) ~ 85°C (185°F)
	Humidity	5% ~ 95%
	Shock	1500 G, 0.5 ms, 3 axis
	Vibration (Operating)	20 G (peak-to-peak), 7 Hz ~ 2000 Hz (frequency)
Power	Power Consumption (Operation)	7.0 watt(s)
	Power Consumption (IDLE)	1.0 watt(s)
Performance	Sequential Read/Write (CrystalDiskMark)	Read: up to 3,500 MB/s Write: up to 2,700 MB/s
	4K Random Read/Write (IOMeter)	Read: up to 340,000 IOPS Write: up to 355,000 IOPS
	Mean Time Between Failures (MTBF)	3,000,000 hour(s)
	Terabytes Written (TBW)	up to 4,400 TBW
	Drive Writes Per Day (DWPD)	2 (3 yrs)
Warranty	Certificate	CE / FCC / BSMI
	Warranty	Three-year Limited Warranty

Mechanical Dimensions



Product specifications are subject to change without notice. Pictures shown may differ from actual products. Total accessible capacity varies depending on operating environment. Due to the complexity and variety of industrial applications, Transcend cannot guarantee 100% compatibility with all platforms and under all scenarios. For special applications and environments, it is strongly suggested that you contact Transcend beforehand for clarification.

Assured Systems

Assured Systems is a leading technology company with over 1,500 regular clients in 80 countries, deploying over 85,000 systems to a diverse customer base in 12 years of business. We offer high-quality and innovative rugged computing, display, networking and data collection solutions to the embedded, industrial, and digital-out-of-home market sectors.

US

sales@assured-systems.com

Sales: +1 347 719 4508
Support: +1 347 719 4508

1309 Coffeen Ave
Ste 1200
Sheridan
WY 82801
USA

EMEA

sales@assured-systems.com

Sales: +44 (0)1785 879 050
Support: +44 (0)1785 879 050

Unit A5 Douglas Park
Stone Business Park
Stone
ST15 0YJ
United Kingdom

VAT Number: 120 9546 28
Business Registration Number: 07699660