



Embedded Solutions



PCIe M.2 SSDs

MTE460T & MTE460T-I

Transcend's MTE460T PCIe M.2 SSD features a PCIe Gen 3x2 interface and 112-layer 3D NAND flash, delivering breakthrough density that greatly improves storage efficiency. In addition, the 30µ" gold finger PCB, Corner Bond technology, and anti-sulfur resistors guarantee its reliability in harsh conditions. Transcend's MTE460T is also 100% chamber tested in-house for extended operating temperatures of -20°C~75°C. Wide-temp capability (-40°C~85°C) can also be provided upon request, optimizing stability in extreme environments.

Hardware Features

- Compliant with PCI Express specification 3.1
- PCIe Gen 3 x2 interface
- Endurance: 3K P/E cycles (Program/Erase cycles) guaranteed
- Anti-sulfur technology implemented to prevent sulfurization in the environment
- 30µ" PCB gold finger

Firmware Features

- Built-in LDPC ECC (Error Correction Code) functionality
- Dynamic thermal throttling
- Advanced Global Wear-Leveling and Block management for reliability
- Advanced Garbage Collection
- Early Move

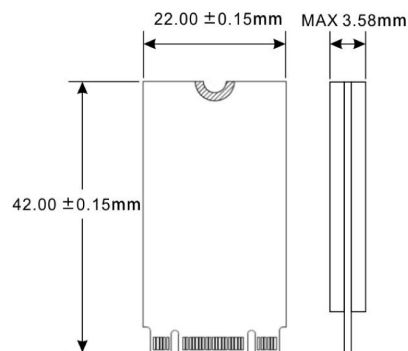
Ordering Information

128GB	TS128GMTE460T TS128GMTE460T-I
256GB	TS256GMTE460T TS256GMTE460T-I
512GB	TS512GMTE460T TS512GMTE460T-I
1TB	TS1TMTE460T TS1TMTE460T-I

Specifications

Appearance	Dimensions	42 mm x 22 mm x 2.23 mm (1.65" x 0.87" x 0.09")
	Weight	5 g (0.18 oz)
	M.2 Type	2242-D2-B-M (Double-sided)
	Form Factor	M.2 2242
Interface	Bus Interface	NVMe PCIe Gen3 x2
Storage	Capacity	128 GB / 256 GB / 512 GB / 1 TB
	Flash Type	112-layer 3D NAND flash
Operating Environment	Operating Voltage	3.3V±5%
	Operating Temperature	Extended Temp. -20°C (-4°F) ~ 75°C (167°F)
		Wide Temp. -40°C (-40°F) ~ 85°C (185°F)
	Storage Temperature	-55°C (-67°F) ~ 85°C (185°F)
	Humidity	5% ~ 95%
	Shock	1500 G, 0.5 ms, 3 axis
Vibration (Operating)	20 G (peak-to-peak), 7 Hz ~ 2,000 Hz (frequency)	
Power	Power Consumption (Operation)	1.6 watt(s)
	Power Consumption (IDLE)	0.33 watt(s)
Performance	Sequential Read/Write (CrystalDiskMark)	Read: up to 1,000 MB/s Write: up to 520 MB/s
	4K Random Read/Write (IOMeter)	Read: up to 48,000 IOPS Write: up to 130,000 IOPS
	Mean Time Between Failures (MTBF)	3,000,000 hour(s)
	Terabytes Written (TBW)	up to 100 TBW
	Drive Writes Per Day (DWPD)	0.74 (3 yrs)
Warranty	Certificate	CE / FCC / BSMI / UKCA
	Warranty	Three-year Limited Warranty

Mechanical Dimensions



Product specifications are subject to change without notice. Pictures shown may differ from actual products. Total accessible capacity varies depending on operating environment. Due to the complexity and variety of industrial applications, Transcend cannot guarantee 100% compatibility with all platforms and under all scenarios. For special applications and environments, it is strongly suggested that you contact Transcend beforehand for clarification.

Assured Systems

Assured Systems is a leading technology company with over 1,500 regular clients in 80 countries, deploying over 85,000 systems to a diverse customer base in 12 years of business. We offer high-quality and innovative rugged computing, display, networking and data collection solutions to the embedded, industrial, and digital-out-of-home market sectors.

US

sales@assured-systems.com

Sales: +1 347 719 4508
Support: +1 347 719 4508

1309 Coffeen Ave
Ste 1200
Sheridan
WY 82801
USA

EMEA

sales@assured-systems.com

Sales: +44 (0)1785 879 050
Support: +44 (0)1785 879 050

Unit A5 Douglas Park
Stone Business Park
Stone
ST15 0YJ
United Kingdom

VAT Number: 120 9546 28
Business Registration Number: 07699660