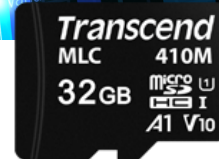




www.transcend-info.com

**Embedded Solutions**



microSD Cards

**microSD/SDHC410M**

Built with top-quality MLC NAND flash chips, Transcend's microSD/SDHC 410M memory cards can endure operating temperatures from -25°C to 85°C; and set a new standard for consistent, long-term performance even in the harshest conditions. Moreover, these cards offer high-speed data transfer rates to satisfy the demanding performance and reliability requirements of embedded systems, such as transportation, telecommunication, and IoT applications.

**Hardware Features**

- Compliant with RoHS 2.0 standards
- Compliant with SD specification 5.1
- Compliant with Speed Class 10
- Compliant with Application Performance Class 1 (A1)
- Endurance: 3K P/E cycles (Program/Erase cycles) guaranteed

**Ordering Information**

2GB	TS2GUSD410M
4GB	TS4GUSD410M
8GB	TS8GUSD410M
16GB	TS16GUSD410M
32GB	TS32GUSD410M

**Firmware Features**

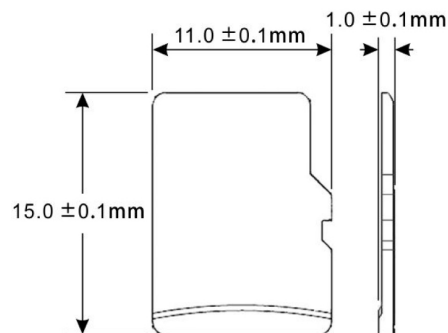
- Built-in ECC (Error Correction Code) functionality
- Wear-Leveling
- Early Move

\*Transcend's microSD 410M 2GB features MLC NAND flash, without UHS-I or A1 compliances

## Specifications

<b>Appearance</b>	Dimensions	11 mm x 15 mm x 1 mm (0.43" x 0.59" x 0.04")
	Form Factor	microSD flash card
<b>Storage</b>	Flash Type	MLC NAND flash
	Capacity	2 GB / 4 GB / 8 GB / 16 GB / 32 GB
<b>Operating Environment</b>	Operating Voltage	2.7V ~ 3.6V
	Drop Test	1.5m free fall
	Operating Temperature	Standard Temp. -25°C (-13°F) ~ 85°C (185°F)
	Storage Temperature	-40°C (-40°F) ~ 85°C (185°F)
	Humidity	0% ~ 95%
	Shock	Acceleration: 490 m/s <sup>2</sup> (standard holding time: 11 ms, semi-sine wave, velocity change: 3.44 m/s)
	Vibration (Operating)	20 G (peak-to-peak), 20 Hz ~ 2,000 Hz (frequency)
<b>Power</b>	Power Consumption (Max.)	0.72 watt(s)
<b>Performance</b>	Read Speed (Max.)	up to 95 MB/s
	Write Speed (Max.)	up to 50 MB/s
	Terabytes Written (TBW)	up to 86 TBW
<b>Warranty</b>	Certificate	CE / FCC / UKCA
	Warranty	Three-year Limited Warranty

## Mechanical Dimensions



Product specifications are subject to change without notice. Pictures shown may differ from actual products. Total accessible capacity varies depending on operating environment. Due to the complexity and variety of industrial applications, Transcend cannot guarantee 100% compatibility with all platforms and under all scenarios. For special applications and environments, it is strongly suggested that you contact Transcend beforehand for clarification.

## Assured Systems

Assured Systems is a leading technology company with over 1,500 regular clients in 80 countries, deploying over 85,000 systems to a diverse customer base in 12 years of business. We offer high-quality and innovative rugged computing, display, networking and data collection solutions to the embedded, industrial, and digital-out-of-home market sectors.

### US

[sales@assured-systems.com](mailto:sales@assured-systems.com)

Sales: +1 347 719 4508  
Support: +1 347 719 4508

1309 Coffeen Ave  
Ste 1200  
Sheridan  
WY 82801  
USA

### EMEA

[sales@assured-systems.com](mailto:sales@assured-systems.com)

Sales: +44 (0)1785 879 050  
Support: +44 (0)1785 879 050

Unit A5 Douglas Park  
Stone Business Park  
Stone  
ST15 0YJ  
United Kingdom

VAT Number: 120 9546 28  
Business Registration Number: 07699660