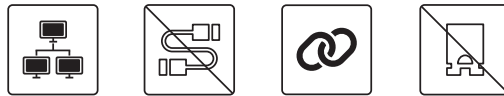


CMI-10GLAN03

CMI Module with 2x Intel 10GbE LAN, RJ45 Port



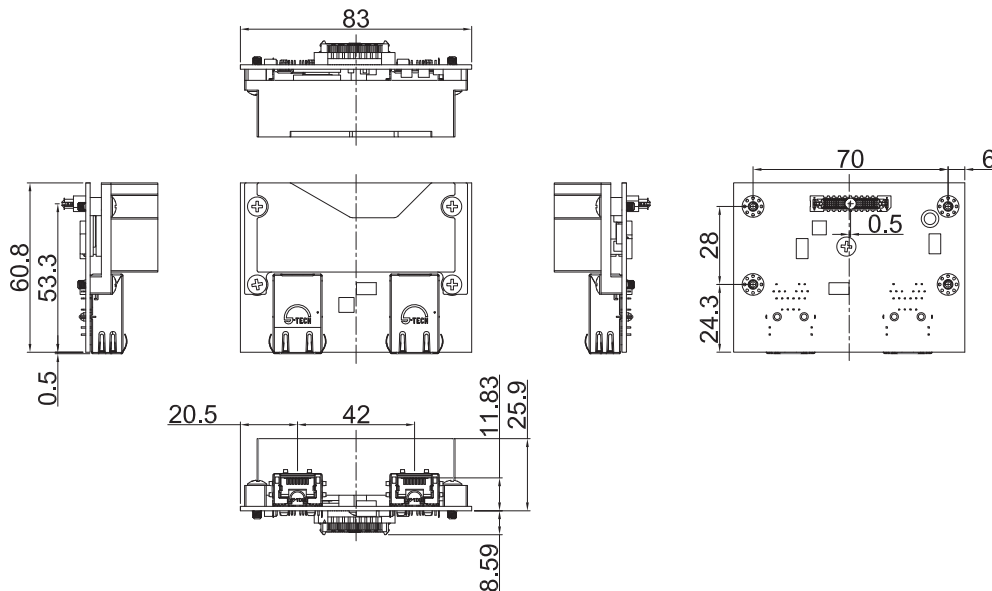
- CMI (Combined Multiple I/O) Technology
- Intel Ethernet Controller X550-AT2
- Support 10GbE Data Rate



Specifications

Interface	CMI (Combined Multiple I/O) Interface
Ethernet Port	2 x Intel® X550-AT2 Ethernet Ports
Connector Type	RJ45
Data Rate Per Port	10/5/2.5/1GbE
Jumbo Frames Supported	Yes
Teaming Supported	Yes
Dimension (W x D x H)	83 x 60.8 x 25.9 mm

Dimensions



Unit: mm

Ordering Information

Available Models

CMI-10GLAN03-R10 CMI Module with 2x Intel 10GbE LAN, RJ45 Port (83 x 60.8 x 25.9 mm)

Package Check List

- CMI Module x1
- Heatsink x1
- Thermal Pad Pack x1
- Screw Pack x1

Compatible List

Model No.	CMI-10GLAN03
DS-1300	V
DS-1301	V
DS-1302	V
DS-1400	V
DS-1401	V
DS-1402	V

Assured Systems

Assured Systems is a leading technology company with over 1,500 regular clients in 80 countries, deploying over 85,000 systems to a diverse customer base in 12 years of business. We offer high-quality and innovative rugged computing, display, networking and data collection solutions to the embedded, industrial, and digital-out-of-home market sectors.

US

sales@assured-systems.com

Sales: +1 347 719 4508
Support: +1 347 719 4508

1309 Coffeen Ave
Ste 1200
Sheridan
WY 82801
USA

EMEA

sales@assured-systems.com

Sales: +44 (0)1785 879 050
Support: +44 (0)1785 879 050

Unit A5 Douglas Park
Stone Business Park
Stone
ST15 0YJ
United Kingdom

VAT Number: 120 9546 28
Business Registration Number: 07699660