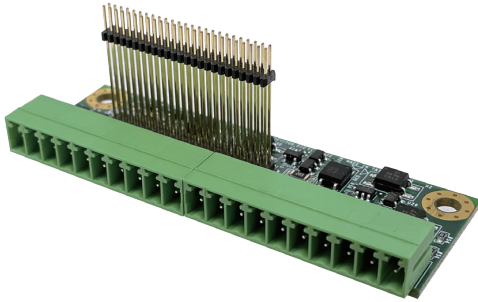


CMI-DIO06

CMI Module with 16x Optical Isolated DIO
(8 in / 8 out)



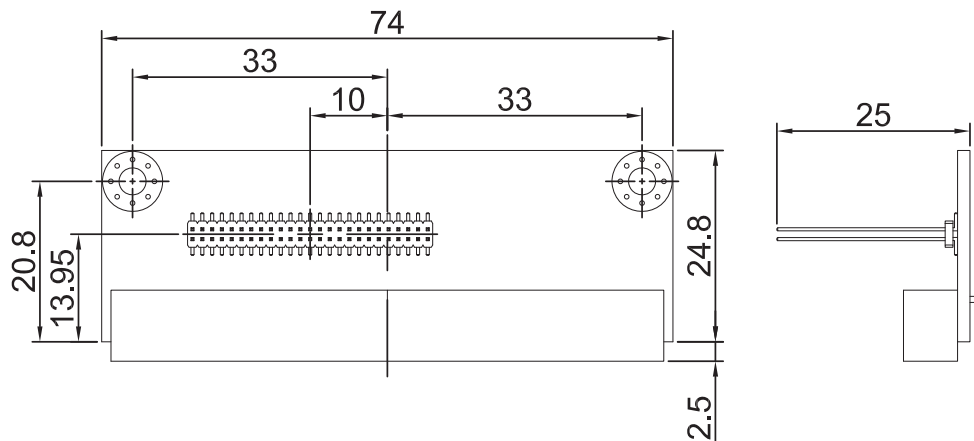
- CMI (Combined Multiple I/O) Technology
- Optical Isolated Design
- Wide Range DC Power Input



Specifications

Interface	CMI (Combined Multiple I/O) Interface
Digital I/O Port	16x Optical Isolated DIO (8DI, 8DO)
Connector Type	2x 10-pin Terminal Block, 3.5mm pitch
Optical Isolated DIO	3.75kV
Isolated Power Input	9 ~ 30VDC
Input Driving Sink Current	Minimal: 1 mA Normal: 5 mA
Dimension (W x D x H)	74 x 27.3 x 25 mm

Dimensions



Unit: mm

Ordering Information

Available Models

CMI-DIO06-R10	CMI Module with 16DIO (8in 8out)
----------------------	----------------------------------

Package Check List

- CMI Module x1
- Terminal Block Pack x1
- Screw Pack x1

Compatible List

Model No.	CMI-DIO06
DV-1000	V
DV-1100	V

Assured Systems

Assured Systems is a leading technology company with over 1,500 regular clients in 80 countries, deploying over 85,000 systems to a diverse customer base in 12 years of business. We offer high-quality and innovative rugged computing, display, networking and data collection solutions to the embedded, industrial, and digital-out-of-home market sectors.

US

sales@assured-systems.com

Sales: +1 347 719 4508
Support: +1 347 719 4508

1309 Coffeen Ave
Ste 1200
Sheridan
WY 82801
USA

EMEA

sales@assured-systems.com

Sales: +44 (0)1785 879 050
Support: +44 (0)1785 879 050

Unit A5 Douglas Park
Stone Business Park
Stone
ST15 0YJ
United Kingdom

VAT Number: 120 9546 28
Business Registration Number: 07699660