

# Q7M311

Qseven Module with Intel® Pentium® Processor N4200 & Celeron® Processor N3350

## Features

- Intel® Pentium® processor N4200 & Celeron® processor N3350 (Apollo Lake)
- Onboard 4GB DDR3L memory, up to 8GB
- 4 lanes of PCI Express slot
- 2 SATA-600
- 3 USB 3.0 and 4 USB 2.0

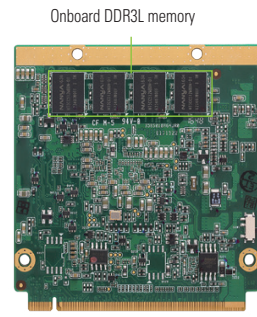
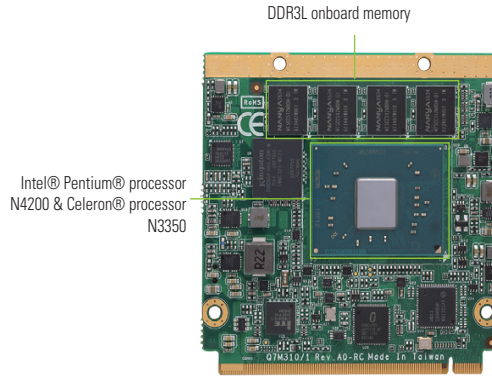


### Core System

CPU	Intel® Pentium® processor N4200 & Celeron® processor N3350 (Apollo Lake) onboard
System Memory	Onboard 4GB DDR3L memory, up to 8GB (Optional)
Chipset	SoC integrated
BIOS	AMI uEFI (Legacy free)
SSD	eMMC 5.0 up to 64GB (optional)
Watchdog Timer	65536 levels, 0 ~ 65535 sec.
Expansion Interface	4 x PCIe x1 (3 x PCIe x1 if onboard LAN is supported)
Battery Lithium	N/A
Power Input	ATX: 5V, +5VSB AT: 5V
Size	70 x 70 mm
Board Thickness	1.2 mm
Temperature	-20°C ~ +70°C (-4°F ~ +158°F), operation
Operation Humidity	10% ~ 95% relative humidity, non-condensing

### I/O

MIO	1 x LPC interface (optional) 1 x SPI interface 1 x Serial TX/RX 1 x I <sup>2</sup> C 1 x SDIO
SATA	2 x SATA-600
Hardware Monitoring	Yes
Ethernet	1 port as 10/100/1000 Mbps supports Wake-on-LAN, PXE Boot ROM with Intel® i211AT
Audio	HD link interface to baseboard for Codec
USB	3 x USB 3.0 4 x USB 2.0
TPM	N/A
SMBus	Yes
Digital I/O	8 x GPIO
SDIO	Yes
Smart Battery	Yes



### Display

Chipset	Intel® Gen 9 Graphics Engine Support Gfx - DX11.1, OCL1.2, OGL 4.2
Display Interface	1 x DDI (DP, HDMI, DVI) 1 x LVDS; 18/24-bit dual channel (eDP optional)

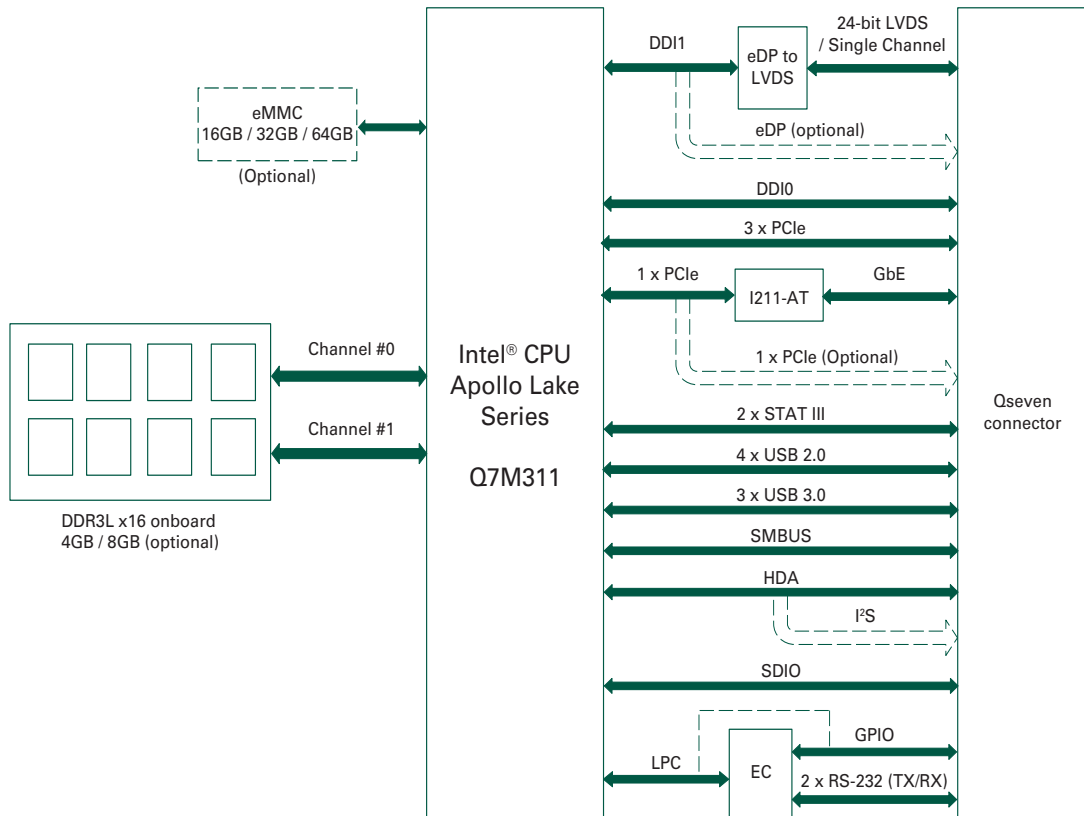
### Packing List

Quick installation guide

### Ordering Information

Standard	
Q7M311PG-N4200-4G	Qseven module with Intel® Pentium® N4200, 4GB DRAM, DDI/LVDS, USB 3.0 and GbE LAN
Q7M311PG-N3350-4G	Qseven module with Intel® Celeron® N3350, 4GB DRAM, DDI/LVDS, USB 3.0 and GbE LAN
7128Q311000E	Q7M311 heat spreader
7118Q311000E	Q7M311 heatsink without fan

**Block Diagram**



## Assured Systems

Assured Systems is a leading technology company with over 1,500 regular clients in 80 countries, deploying over 85,000 systems to a diverse customer base in 12 years of business. We offer high-quality and innovative rugged computing, display, networking and data collection solutions to the embedded, industrial, and digital-out-of-home market sectors.

### US

[sales@assured-systems.com](mailto:sales@assured-systems.com)

Sales: +1 347 719 4508  
Support: +1 347 719 4508

1309 Coffeen Ave  
Ste 1200  
Sheridan  
WY 82801  
USA

### EMEA

[sales@assured-systems.com](mailto:sales@assured-systems.com)

Sales: +44 (0)1785 879 050  
Support: +44 (0)1785 879 050

Unit A5 Douglas Park  
Stone Business Park  
Stone  
ST15 0YJ  
United Kingdom

VAT Number: 120 9546 28  
Business Registration Number: 07699660