

WMP-227

21.5" Wide Core i Fanless Medical Panel PC



Key Features

- Front full flat resistive touch with IP65 protection
- Fanless operating w/ reliable thermal design
- Anti-bacteria plastic housing and medical 60601-1 3rd edition certification
- 21.5" wide full HD 1920x1080 LCD w/ LED backlight
- Intel low power Core i3 / i5 / i7 & Celeron dual core 1.1G processor
- PCI-E/PCI expansion and two mini-PCIe sockets
- Optional internal battery pack for 25 minutes operating
- Optional Wifi, Webcam, Bluetooth and RFID reader
- Customization for LAN/COM/USB isolation, change touch to glass

Main System

| | |
|-------------------|--|
| CPU | FCBGA1023 2nd Generation Intel® Core i7 / i5 / i3 / Celeron® processor (17W max.) |
| Chipset | Intel BD82HM65 PCH |
| Graphics | <ul style="list-style-type: none"> • Core i5-2467M: Intel HD Graphics HD 3000 • Celeron 847E: Intel HD Graphics |
| Memory | 8GB maximum, x 2 DDR3 SODIMM, 1066/1333MHz, 2GB/4GB/8GB |
| Serial ATA | SATA3 x 2, 600MB/s transfer rate |
| USB | x 7 (socket), USB 2.0 (x 4 external, x 3 internal) |
| COM | x 6 (x 2 external, x 4 internal) |
| Audio | Realtek ALC262 audio codec, 2+2 watts amplifier |
| LAN | Marvell 88E8071 Gigabit Ethernet x 2 |
| BIOS | <ul style="list-style-type: none"> • AMI BIOS, 4M EEPROM • RTC wake up / Wake on LAN / Power on after power failure / PnP / ACPI |
| Speaker | 1.5 watts x 2 (front bottom) |

LCD Panel

| | |
|----------------------|-----------------------------|
| Size | 21.5" wide 16:9 |
| Resolution | Full HD 1920 x 1080 |
| Brightness | 250 nits |
| Contrast | 1000:1 |
| Color numbers | 16.7M (6-bit x 3 + Hi FRC) |
| Viewing angle | 170 (H) / 160 (V) |
| Response time | 5 ms (R + F) |
| Backlight | LED, 30,000 hours life time |

Touch Panel

| | |
|----------------------------|--|
| Type | Front full flat customized touch panel |
| Technology | Resistive touch, 5-wire |
| Light transmittance | > 78% (at 550 nm wavelength) |
| Hardness | 3H |
| Touch stylus | No limitation |
| Resolution | 4096 x 4096 |
| Life time | 35 million activations |

Storage & Expansion

| | |
|-----------------------|---|
| HDD | 2.5" SATA HDD drive bay x 1 + anti-vibration kit, 160GB / 500GB |
| Expansion slot | <ul style="list-style-type: none"> • PCI-E (x16) x 1 (or PCI x 1) • Card size: 100 x 155 x 18/0.5 mm or 68 x 220 x 18/0.5 mm • Mini PCIe x 2 (52 pin card-edge type) |

I/O & Control Keys

| | |
|---------------------|---|
| USB | USB 2.0 x 4 |
| COM | DB-9 x 2 (RS232, RS232/422/485) |
| LAN | RJ-45 x 2, Gigabit |
| Video-out | DVI-I x 1 |
| Audio | Line-out, Microphone-in (3.5 mm phone-jack) |
| Power input | DC-in x 1, 6V~32V |
| Control keys | <ul style="list-style-type: none"> • Front side, projected capacitive type • Power on/off, Brightness, Audio volume, Backlight on/off, Touch on/off |

Power

| | |
|------------------------------------|--|
| Power adaptor | External, 100 watts, 90~264V AC in, 12V DC out, medical grade, 1.2m DC cable |
| Power consumption | 65.66W (Full loading) / 5.7W (S3 standby) |
| Internal battery (optional) | <ul style="list-style-type: none"> • Li-Ion, 28Wh, for 25 minutes operating (approx.), 2S2P • Charge time: 2 hours (system off), 3.5 hours (system on) |
| System power input | • DC12V, others by optional DC-DC adaptor |

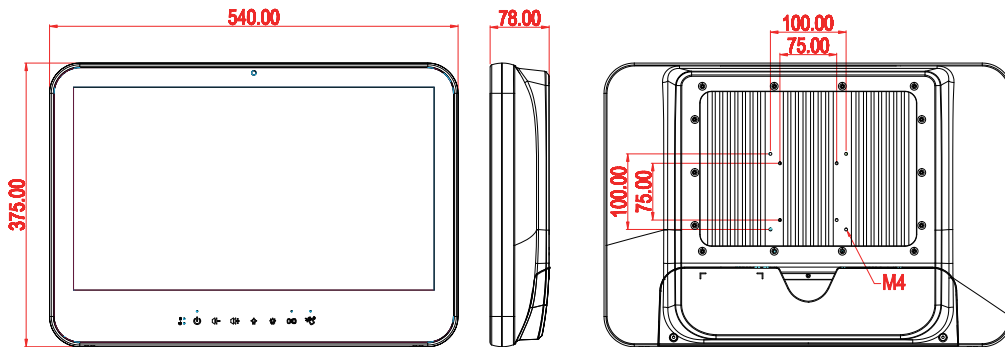
Mechanical & Environmental

| | |
|------------------------|--|
| Housing | <ul style="list-style-type: none"> • Front: Full flat design / Touch (standard), Glass (optional) • Rear: Plastic + I/O cover w/ antibacterial treatment • Housing: White . Control key icons: Grey |
| Color | IP65 – front side |
| IP rating | Fanless w/ back cover aluminum thermal plate |
| Cooling | VESA 75 x 75 / 100 x 100 mm |
| Mounting | Yes, x 1 at bottom |
| Kensington lock | 540 x 375 x 78 mm (W x H x D, w/o stand) |
| Dimension | 7.0 Kg (approximate, w/o power adaptor) |
| Weight (net) | • Operating – 0°C~40°C . Storage – -20°C~60°C |
| Temperature | Operating & storage – 10%~90%, non-condensing |
| Humidity | • FCC-B, cUL, CE, VCCI |
| Regulatory | • Medical 60601-1 3 rd edition (EN 60601-1:2006, ANSI/AAMI ES60601-1:2005, CAN/CSA C22.2 No. 60601-1:08) |

WMP-227

21.5" Wide Core i Fanless Medical Panel PC

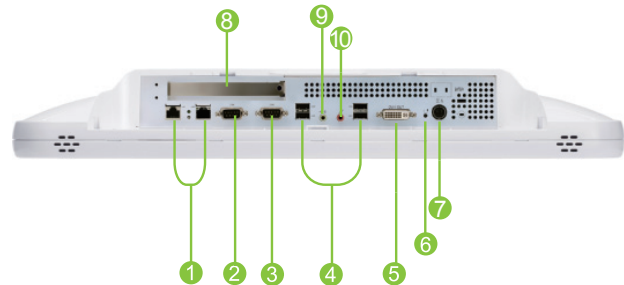
Outline Dimension



Packaging / Options / Customization

- Packaging Options**
- System, power adaptor, AC power cord, CD (drivers & manual)
 - WLAN 802.11 a/b/g/n mini PCIe module w/ internal antenna x 2
 - Bluetooth 2.1 (USB)
 - Webcam (2M pixel, USB)
 - Battery pack
 - RFID reader (13.56Hz, USB)
 - Power adaptor w/ 2.4m or 3.6m DC cable
 - Anti-bacteria desktop stand (metal, white)
- Customization**
- Add extra two COM ports
 - LAN isolation x 1
 - Add COM isolation x 2 module (use expansion slot area)
 - Add USB isolation x 1
 - Change touch to glass
 - Microphone on I/O cover (Configure of order service)

I/O Connectors



- | | |
|-----------------|-----------------------|
| 1 LAN x 2 | 6 Reset |
| 2 RS232/422/485 | 7 DC-in |
| 3 RS232 | 8 PCI-E/PCI expansion |
| 4 USB x 4 | 9 Line-out |
| 5 DVI-I | 10 Microphone-in |



Ordering Information

- WMP-227-IR0E0; Core™ i5-2467M, 1.60GHz, DDR3 2G RAM, SATA 160G HDD, Full flat resistive touch, PCI-Ex16



Web: www.wincomm.com.tw
Contact: sales_support@wincomm.com.tw

Wincomm Corporation
3F, NO. 14, Prosperity Road II, Science-Based Industrial Park,
Hsinchu, Taiwan 30078, R.O.C
Tel : +886 3 578 0000 Fax: +886 3 578 0295

Assured Systems

Assured Systems is a leading technology company with over 1,500 regular clients in 80 countries, deploying over 85,000 systems to a diverse customer base in 12 years of business. We offer high-quality and innovative rugged computing, display, networking and data collection solutions to the embedded, industrial, and digital-out-of-home market sectors.

US

sales@assured-systems.com

Sales: +1 347 719 4508
Support: +1 347 719 4508

1309 Coffeen Ave
Ste 1200
Sheridan
WY 82801
USA

EMEA

sales@assured-systems.com

Sales: +44 (0)1785 879 050
Support: +44 (0)1785 879 050

Unit A5 Douglas Park
Stone Business Park
Stone
ST15 0YJ
United Kingdom

VAT Number: 120 9546 28
Business Registration Number: 07699660