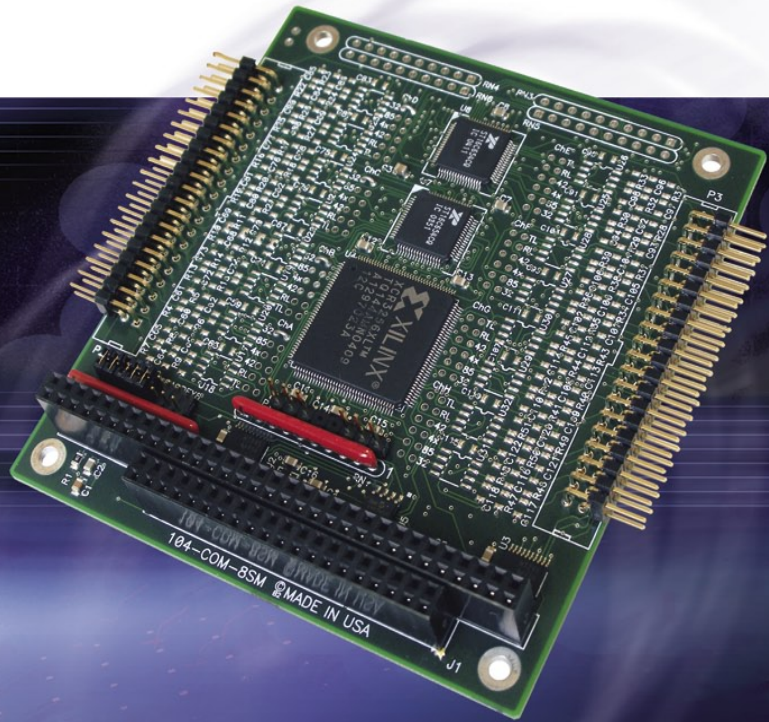
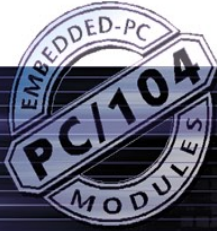


104-COM232-8
104-COM232-4
104-COM232-2

8-, 4-, or 2-Port RS-232
PC/104 SERIAL COMMUNICATION



KEY FEATURES:

- 8, 4 or 2 RS-232 asynchronous serial COM ports
- Speeds up to 921.6K with 64-byte FIFO
- Programmable IRQ sharing simplifies system design and installation
- Low power required: +5VDC at 80mA typical
- Operates as a standard COM port in all operating systems

FACTORY OPTIONS:

- 0 to 70°C and -40 to +85°C versions available
- 128-byte FIFO

The 104-COM232-8 series are eight, four, or two-port asynchronous, RS-232 serial communication boards. The boards are feature-rich and allow for the connection of multiple serial devices—ideal for a variety of applications such as POS, barcode readers, modems, machine monitoring and control, military, high-density networking applications or any other application requiring the connection of RS-232 serial devices to a PC/104 compatible system.

Ports are accessed via two 40-pin IDC type right angle header connectors for the boards optional breakout cable.

The 104-COM232-8 series were designed using type 16C654 UARTS and include 64-byte transmit/receive FIFO buffers to protect against lost data in multi-tasking systems while maintaining 100% compatibility with all operating system COM port drivers. ACCES offers the 104-COM232-8 series in both standard and extended temperature versions ideal for outdoor applications or harsh industrial surroundings.

Ordering options include UARTS with larger FIFOs, support for custom baud rates, vertical I/O pins, and custom cabling.

SOFTWARE

The 104-COM232-8 series are supported for use in all operating systems and include a free DOS, Linux and Windows 95/98/Me/NT/2000/XP/2003 compatible software package. This contains sample programs and source code in "C" and Pascal for DOS, and Visual Basic, Delphi, C++ Builder, and Visual C++ for Windows. Also included is a graphical setup program in Windows. Embedded OS support includes Windows XPe and CE. An easy-to-use Windows terminal program simplifies verification of proper operation.

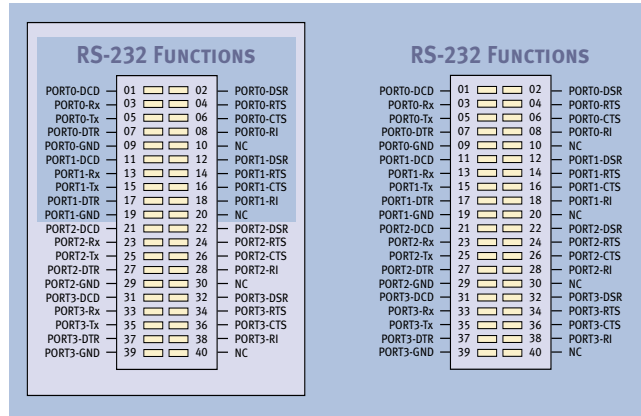
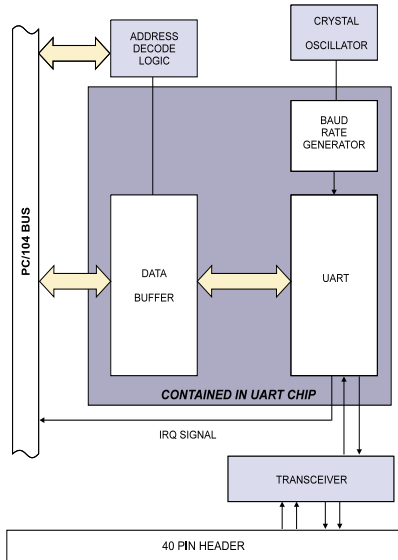


ACCES I/O Products, Inc. 10623 Roselle Street San Diego, CA 92121
Tel: (858) 550-9559 (800) 326-1649 Fax: (858) 550-7322
Email: contactus@accessio.com Website: www.accessio.com

104-COM232-8
104-COM232-4
104-COM232-2

8-, 4-, or 2-Port RS-232
PC/104 SERIAL COMMUNICATION

Block Diagram & Pin Configuration



Specifications

Serial Ports

| | |
|---------------------------|--|
| Number of serial ports | 8, 4, or 2 |
| Protocol | Full RS-232 |
| Maximum baud rate | 230.4K |
| Character length | 5, 6, 7, or 8 data bits |
| Parity | Even, odd, or none |
| Common mode voltage range | +12V to -7V |
| Base address options | Programmable |
| Interrupts | Shared IRQ is programmed and stored onboard in non-volatile memory |

General

| | |
|--------------------------|--|
| I/O connections | Via two 40 pin IDC type right angle connectors. There are eight pins per port plus common grounds. |
| Short circuit protection | All outputs protected against continuous short circuit |
| Power required | +5VDC at 80mA typical, all outputs open |
| Operating temperature | 0 to 70°C and -40 to +85°C versions available |
| Operating humidity | 5% to 95% RH, non-condensing |
| PC/104 bus | 8-bit and 16-bit bus headers are used |

Ordering Guide

| | |
|--------------|---------------|
| 104-COM232-8 | 8-port RS-232 |
| 104-COM232-4 | 4-port RS-232 |
| 104-COM232-2 | 2-port RS-232 |



ACCES I/O Products, Inc. 10623 Roselle Street San Diego, CA 92121
Tel: (858) 550-9559 (800) 326-1649 Fax: (858) 550-7322
Email: contactus@accessio.com Website: www.accessio.com

Assured Systems

Assured Systems is a leading technology company with over 1,500 regular clients in 80 countries, deploying over 85,000 systems to a diverse customer base in 12 years of business. We offer high-quality and innovative rugged computing, display, networking and data collection solutions to the embedded, industrial, and digital-out-of-home market sectors.

US

sales@assured-systems.com

Sales: +1 347 719 4508
Support: +1 347 719 4508

1309 Coffeen Ave
Ste 1200
Sheridan
WY 82801
USA

EMEA

sales@assured-systems.com

Sales: +44 (0)1785 879 050
Support: +44 (0)1785 879 050

Unit A5 Douglas Park
Stone Business Park
Stone
ST15 0YJ
United Kingdom

VAT Number: 120 9546 28
Business Registration Number: 07699660