

# WMP-226

21.5" Wide Core i High Performance Medical Panel PC



## Key Features

- Front full flat resistive touch with IP65 protection
- Anti-bacteria plastic housing and medical 60601-1 3<sup>rd</sup> edition certification
- 21.5" wide full HD 1920x1080 LCD w/ LED backlight
- Intel Core i3 / i5 / i7 & Celeron dual core 1.6G processor
- PCI-E/PCI expansion and two mini-PCIe sockets
- Variable speed low noise fan and HDD anti-vibration design
- Optional internal battery pack for 20 minutes operating
- Optional Wifi, Webcam, Bluetooth and RFID reader
- Customization for LAN/COM/USB isolation, change touch to glass

## Main System

<b>CPU</b>	rPGA988B 2nd Generation Intel® Core i7 / i5 / i3 / Celeron® processor (35W max.)
<b>Chipset</b>	Intel® BD82HM65 PCH
<b>Graphics</b>	Celeron B810: Intel HD Graphics
<b>Memory</b>	8GB maximum, x 2 DDR3 SODIMM, 1066/1333MHz, 2GB/4GB/8GB
<b>Serial ATA</b>	SATA3 x 2, 600MB/s transfer rate
<b>USB</b>	x 7 (socket), USB 2.0 (x 4 external, x 3 internal)
<b>COM</b>	x 6 (x 2 external, x 4 internal)
<b>Audio</b>	Realtek ALC262 audio codec, 2+2 watts amplifier
<b>LAN</b>	Marvell 88E8071 Gigabit Ethernet x 2
<b>BIOS</b>	· AMI BIOS, 4M EEPROM · RTC wake up / Wake on LAN / Power on after power failure / PnP / ACPI
<b>Speaker</b>	1.5 watts x 2 (front bottom)

## LCD Panel

<b>Size</b>	21.5" wide 16:9
<b>Resolution</b>	Full HD 1920 x 1080
<b>Brightness</b>	250 nits
<b>Contrast</b>	1000:1
<b>Color numbers</b>	16.7M (6-bit x 3 + Hi FRC)
<b>Viewing angle</b>	170 (H) / 160 (V)
<b>Response time</b>	5 ms (R + F)
<b>Backlight</b>	LED, 30,000 hours life time

## Touch Panel

<b>Type</b>	Front full flat customized touch panel
<b>Technology</b>	Resistive touch, 5-wire
<b>Light transmittance</b>	> 78% (at 550 nm wavelength)
<b>Hardness</b>	3H
<b>Touch stylus</b>	No limitation
<b>Resolution</b>	4096 x 4096
<b>Life time</b>	35 million activations

## Storage & Expansion

<b>HDD</b>	2.5" SATA HDD drive bay x 1 + anti-vibration kit, 160GB / 500GB
<b>Expansion slot</b>	· PCI-E (x16) x 1 (or PCI x 1) · Card size: 100 x 155 x 18/0.5 mm or 68 x 220 x 18/0.5 mm · Mini PCIe x 2 (52 pin card-edge type)

## I/O & Control Keys

<b>USB</b>	USB 2.0 x 4
<b>COM</b>	RS232 x 1, RS232 / RS422 / RS485(RS485 support auto flow) x 1
<b>LAN</b>	RJ-45 x 2, Gigabit
<b>Video-out</b>	DVI-I x 1
<b>Audio</b>	Line-out, Microphone-in (3.5 mm phone-jack)
<b>Power input</b>	DC-in x 1, 6V~32V
<b>Control keys</b>	· Front side, projected capacitive type · Power on/off, Brightness, Audio volume, Backlight on/off, Touch on/off

## Power

<b>Power adaptor</b>	External, 100 watts, 90~264V AC in, 12V DC out, medical grade, 1.2m DC cable
<b>Power consumption</b>	96W (Full loading) / 50W (standby)
<b>Internal battery (optional)</b>	· Li-Ion, 28Wh, for 20 minutes operating (approx.), 2S2P · Charge time: 2 hours (system off), 3.5 hours (system on)
<b>System power input</b>	· DC12V, others by optional DC-DC adaptor

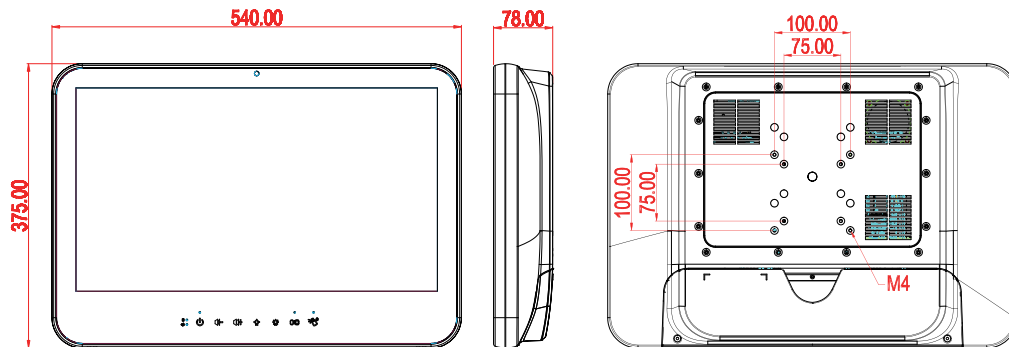
## Mechanical & Environmental

<b>Housing</b>	· Front: Full flat design / Touch (standard), Glass (optional) · Rear: Plastic + I/O cover w/ antibacterial treatment
<b>Color</b>	· Housing: White    · Control key icons: Grey
<b>IP rating</b>	IP65 – front side
<b>Cooling</b>	Variable speed smart fan design, < 30 dB (typical)
<b>Mounting</b>	VESA 75 x 75 / 100 x 100 mm
<b>Kensington lock</b>	Yes, x 1 at bottom
<b>Dimension</b>	540 x 375 x 78 mm (W x H x D, w/o stand)
<b>Weight (net)</b>	6.5 Kg (approximate, w/o power adaptor)
<b>Temperature</b>	· Operating – 0°C~40°C    · Storage – -20°C~60°C
<b>Humidity</b>	· Operating & storage – 10%~90%, non-condensing
<b>Regulatory</b>	· FCC-B, cUL, CE, VCCI · Medical 60601-1 3 <sup>rd</sup> edition (EN 60601-1:2006, ANSI/AAMI ES60601-1:2005, CAN/CSA C22.2 No. 60601-1:08)

# WMP-226

21.5" Wide Core i High Performance Medical Panel PC

## Outline Dimension



## Packaging / Options / Customization

### Packaging Options

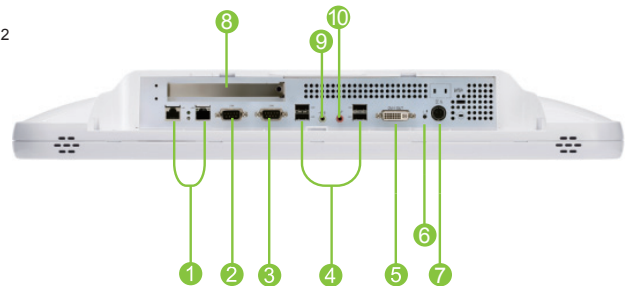
- System, power adaptor, AC power cord, CD (drivers & manual)
- WLAN – 802.11 a/b/g/n mini PCIe module w/ internal antenna x 2
- Bluetooth 2.1 (USB)
- Webcam (2M pixel, USB)
- Battery pack
- RFID reader (13.56Hz, USB)
- Power adaptor w/ 2.4m or 3.6m DC cable
- Anti-bacteria desktop stand (metal, white)

### Customization

- Add extra two COM ports
- LAN isolation x 1
- Add COM isolation x 2 module (use expansion slot area)
- Add USB isolation x 1
- Change touch to glass
- Microphone on I/O cover (Configure of order service)



## I/O Connectors



- |                 |                       |
|-----------------|-----------------------|
| ① LAN x 2       | ⑧ PCI-E/PCI expansion |
| ② RS232/422/485 | ⑨ Line-out            |
| ③ RS232         | ⑩ Microphone-in       |
| ④ USB x 4       |                       |
| ⑤ DVI-I         |                       |
| ⑥ Reset         |                       |
| ⑦ DC-in         |                       |

## Ordering Information

- WMP-226-IR0E0; Core i5-2410M 2.30GHz, DDR3 2G RAM, SATA 160G HDD, Full flat resistive touch, PCI-Ex16.6G



Web: [www.wincomm.com.tw](http://www.wincomm.com.tw)

Contact: [sales\\_support@wincomm.com.tw](mailto:sales_support@wincomm.com.tw)

### Wincomm Corporation

3F, NO. 14, Prosperity Road II, Science-Based Industrial Park,  
Hsinchu, Taiwan 30078, R.O.C

Tel : +886 3 578 0000 Fax: +886 3 578 0295

## Assured Systems

Assured Systems is a leading technology company with over 1,500 regular clients in 80 countries, deploying over 85,000 systems to a diverse customer base in 12 years of business. We offer high-quality and innovative rugged computing, display, networking and data collection solutions to the embedded, industrial, and digital-out-of-home market sectors.

### US

[sales@assured-systems.com](mailto:sales@assured-systems.com)

Sales: +1 347 719 4508  
Support: +1 347 719 4508

1309 Coffeen Ave  
Ste 1200  
Sheridan  
WY 82801  
USA

### EMEA

[sales@assured-systems.com](mailto:sales@assured-systems.com)

Sales: +44 (0)1785 879 050  
Support: +44 (0)1785 879 050

Unit A5 Douglas Park  
Stone Business Park  
Stone  
ST15 0YJ  
United Kingdom

VAT Number: 120 9546 28  
Business Registration Number: 07699660