



FANLESS EMBEDDED SYSTEMS

RCO-6022PP series

Superior fanless embedded system with LGA 1151 for Intel® 6th/7th Gen Processor and Q170 PCH, 2x LAN, 2x PCI Expansion



FEATURES

- LGA 1151 socket for 6th/7th Gen. Intel® Core™ i7/i5/i3 or Pentium® / Celeron® Desktop Processor
- Intel® Q170 chipset
- 2x 260-pin DDR4 SODIMM. max up to 32GB
- Triple independent display supported by 1x DVI-I and 2x DisplayPort
- 2x Intel® GbE supporting Wake-on-LAN and PXE
- 4x 2.5" SATA HDD bay and 2x mSATA supporting RAID 0, 1, 5, 10
- 4x full-size mini PCIe for communication or expansion modules, 4x SIM socket
- 2x PCI expansion
- 4x RS-232/422/485 (w/ 2x internal), 6x USB 3.0, 2x USB 2.0, TPM 2.0
- 8x DI + 8x DO with isolation
- 9 to 48VDC wide range power input supporting AT/ATX mode
- -25°C to 70°C extended operating temperature

SPECIFICATIONS

System

| | |
|----------------|--|
| Processor | Support 6 th & 7 th Gen Intel® Core™ i7 / i5 / i3 / Pentium® / Celeron® Desktop Processor (LGA 1151) |
| | <ul style="list-style-type: none"> - 7th Gen Intel® Core™ i7-7700T, Quad Core, 8MB cache, up to 3.8 GHz - 7th Gen Intel® Core™ i5-7500T, Quad Core, 6MB cache, up to 3.3 GHz - 7th Gen Intel® Core™ i3-7101TE, Dual Core, 3MB Cache, 3.4 GHz - 6th Gen Intel® Core™ i7-6700TE, Quad Core, 8MB cache, up to 3.4 GHz - 6th Gen Intel® Core™ i5-6500TE, Quad Core, 6MB Cache, up to 3.3 GHz - 6th Gen Intel® Core™ i3-6100TE, Dual Core, 4MB Cache, 2.7 GHz - Intel® Pentium® G4400TE, Dual Core, 3MB Cache, 2.4 GHz - Intel® Celeron® G3900TE, Dual Core, 2MB Cache, 2.3 GHz |
| System Chipset | Intel® Q170 Express Chipset |
| LAN Chipset | GbE1: Intel® I210-AT (Support Wake-on-LAN and PXE) GbE2: Intel® I219LM (Support Wake-on-LAN and PXE) GbE3-GbE10: Intel® I210-AT (Optional) |
| Audio Codec | Realtek ALC888S |
| System Memory | 2x 260-Pin DDR4 1866/2133MHz SODIMM. Max. up to 32GB |
| BIOS | AMI 128Mbit SPI BIOS |
| Watchdog | Software Programmable Supports 1-255 sec. System Reset |
| TPM | TPM 2.0 |

| | |
|----------------|--|
| System Chipset | Intel® Q170 Express Chipset |
| LAN Chipset | GbE1: Intel® I210-AT (Support Wake-on-LAN and PXE) GbE2: Intel® I219LM (Support Wake-on-LAN and PXE) GbE3-GbE10: Intel® I210-AT (Optional) |
| Audio Codec | Realtek ALC888S |
| System Memory | 2x 260-Pin DDR4 1866/2133MHz SODIMM. Max. up to 32GB |
| BIOS | AMI 128Mbit SPI BIOS |
| Watchdog | Software Programmable Supports 1-255 sec. System Reset |
| TPM | TPM 2.0 |

Display

| | |
|------------------|----------------|
| DVI | 1x DVI-I |
| DisplayPort | 2x DisplayPort |
| Multiple Display | Triple Display |

Storage

| | |
|------------|---|
| SSD/HDD | 2x Internal 2.5" SATA HDD Bay 2x Removable 2.5" SATA HDD Bay Support RAID 0, 1, 5, 10 |
| mSATA | 2x mSATA (Shared by 2x Mini PCIe) |
| SIM Socket | 2x External SIM socket 2x Internal SIM socket |

Expansion

| | |
|-----------------------|---|
| Mini PCI Express | 4x Full-size Mini PCIe |
| PCI | 2x PCI |
| 4-Port GbE (Optional) | Up to two 4-port GbE module with Intel® I210-AT Chipset RJ-45 or M12 connector with PoE option One Universal I/O Slot occupied for one 4-port module |
| Card Dimension | 235 (L) x 112 (H) mm |

Operating System

| | |
|---------|---|
| Windows | 6 th Gen CPU: Windows 10, Windows 7, WES7 7 th Gen CPU: Windows 10 |
| Linux | Linux kernel 4.X |

I/O

| | |
|-----------------------|---|
| COM | 2x RS-232/422/485 2x RS-232/422/485 (internal) |
| USB | 6x USB 3.0, 2x USB 2.0 |
| LAN | 2x RJ45 |
| Audio | 1x Mic-in, 1x Speaker-out |
| DIO | 8 in / 8 out (Isolated) |
| Universal I/O Bracket | 2x Universal I/O Bracket (By mini PCIe interface) |
| Others | 6x WiFi Antenna Holes 1x Power Switch, 1x AT/ATX Switch, 1x Remote Power On/Off |

Power

| | |
|----------------------|--|
| Power Mode | AT, ATX |
| Power Supply Voltage | 9-48VDC |
| Power Connector | 3-pin Terminal Block |
| Power Adaptor | Optional AC/DC 24V/5A, 120W Optional AC/DC 24V/9.2A, 220W |
| Power Protection | OVP (Over Voltage Protection) OCP (Over Current Protection) Reverse Protection |

Environment

| | |
|---------------------------|--|
| Operating Temp. | -25°C to 70°C |
| Storage Temp. | -30°C to 85°C |
| Relative Humidity | 10% to 95% (non-condensing) |
| Vibration | With SSD: 5 Grms, 5 - 500 Hz, 0.5 hr/axis With HDD: 1 Grms, 5 - 500 Hz, 0.5 hr/axis |
| Shock | With SSD: 50G, half sine, 11ms |
| Standards / Certification | CE, FCC Class A |

Physical

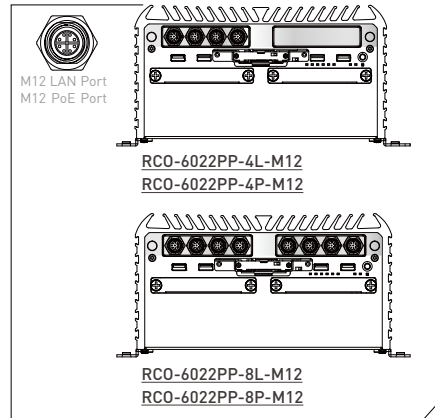
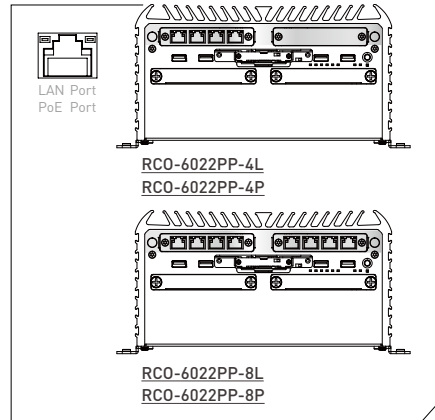
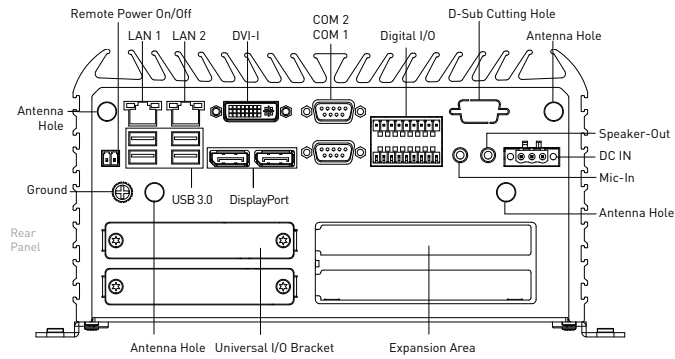
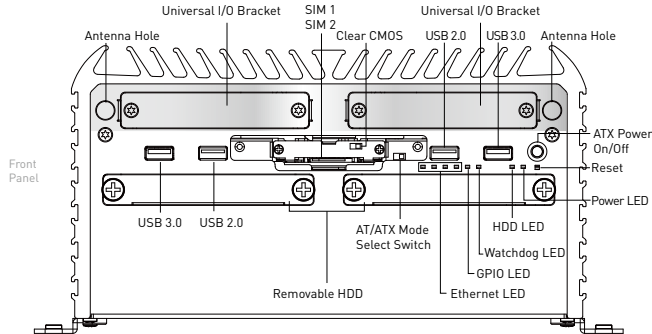
| | |
|--------------|---|
| Construction | Extruded Aluminum with Heavy Duty Metal |
| Dimension | 240 (W) x 261 (D) x 127 (H) mm |
| Weight | 5.56 - 6.60 kg |
| Mounting | Wall Mounting |

* All specifications and photos are subject to change without notice.



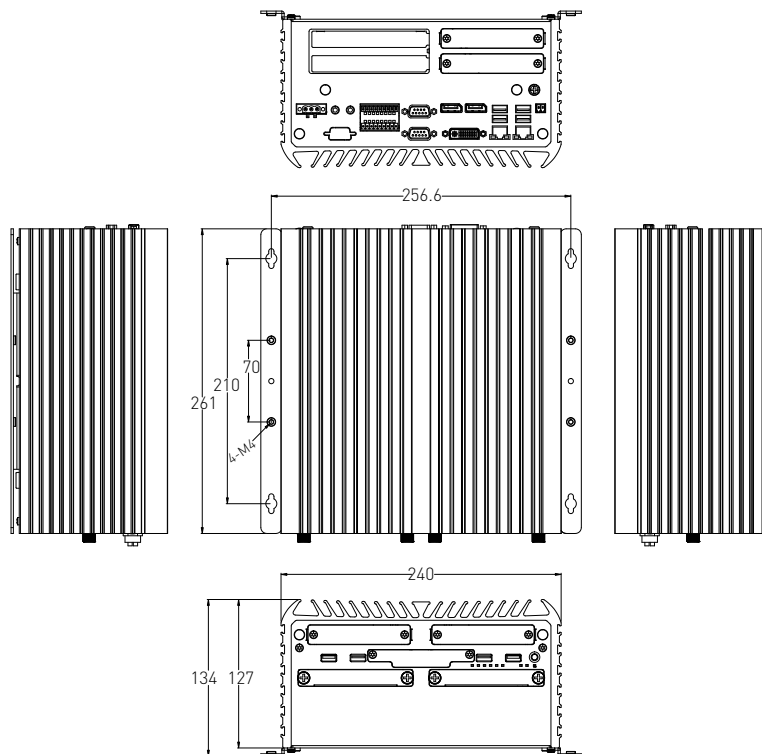
RCO-6022PP series

EXTERNAL I/O MECHANICAL LAYOUT



DIMENSION

Unit: mm





RCO-6022PP series

ORDERING INFORMATION

| MODEL NO. | DESCRIPTION |
|-------------|---|
| 1-E09A12002 | Adapter AC/DC 24V 5A 120W with 3pin Terminal Block Plug 5.0mm Pitch |
| 1-E09A22102 | Adapter AC/DC 24V 9.2A 220W with 3pin Terminal Block Plug 5.0mm Pitch |
| 1-TPCD00005 | Power Cord, 3-pin US Type, 180cm |
| 1-TPCD00002 | Power Cord, European Type |
| 1-TPCD00001 | Power Cord, 3-pin UK Type, 180cm |

PACKING LIST

- 1x RCO-6000 Series Embedded System
- 1x Wall Mount Kit
- 1x Accessory Kit

AVAILABLE MODELS

| MODEL NO. | DESCRIPTION |
|-------------------|---|
| RCO-6022PP | Superior fanless embedded system with LGA 1151 for Intel® 6 th /7 th Gen Processor and Q170 PCH, 2x LAN, 2x PCI Expansion |
| RCO-6022PP-4L | Superior fanless embedded system with LGA 1151 for Intel® 6 th /7 th Gen Processor and Q170 PCH, 6x LAN, 2x PCI Expansion |
| RCO-6022PP-4L-M12 | Superior fanless embedded system with LGA 1151 for Intel® 6 th /7 th Gen Processor and Q170 PCH, 2x LAN, 4x M12 LAN, 2x PCI Expansion |
| RCO-6022PP-8L | Superior fanless embedded system with LGA 1151 for Intel® 6 th /7 th Gen Processor and Q170 PCH, 10x LAN, 2x PCI Expansion |
| RCO-6022PP-8L-M12 | Superior fanless embedded system with LGA 1151 for Intel® 6 th /7 th Gen Processor and Q170 PCH, 2x LAN, 8x M12 LAN, 2x PCI Expansion |
| RCO-6022PP-4P | Superior fanless embedded system with LGA 1151 for Intel® 6 th /7 th Gen Processor and Q170 PCH, 2x LAN, 4x PoE, 2x PCI Expansion |
| RCO-6022PP-4P-M12 | Superior fanless embedded system with LGA 1151 for Intel® 6 th /7 th Gen Processor and Q170 PCH, 2x LAN, 4x M12 PoE, 2x PCI Expansion |
| RCO-6022PP-8P | Superior fanless embedded system with LGA 1151 for Intel® 6 th /7 th Gen Processor and Q170 PCH, 2x LAN, 8x PoE, 2x PCI Expansion |
| RCO-6022PP-8P-M12 | Superior fanless embedded system with LGA 1151 for Intel® 6 th /7 th Gen Processor and Q170 PCH, 2x LAN, 8x M12 PoE, 2x PCI Expansion |



C&T Solution Inc.

17F-2, No. 700, Zhongzheng Rd., Zhonghe Dist., New Taipei City 235, Taiwan (R.O.C.)
 Tel: +886-2-7731-7888 Fax: +886-2-7731-7855
 Email: info@candtsolution.com

www.candtsolution.com

Assured Systems

Assured Systems is a leading technology company with over 1,500 regular clients in 80 countries, deploying over 85,000 systems to a diverse customer base in 12 years of business. We offer high-quality and innovative rugged computing, display, networking and data collection solutions to the embedded, industrial, and digital-out-of-home market sectors.

US

sales@assured-systems.com

Sales: +1 347 719 4508
Support: +1 347 719 4508

1309 Coffeen Ave
Ste 1200
Sheridan
WY 82801
USA

EMEA

sales@assured-systems.com

Sales: +44 (0)1785 879 050
Support: +44 (0)1785 879 050

Unit A5 Douglas Park
Stone Business Park
Stone
ST15 0YJ
United Kingdom

VAT Number: 120 9546 28
Business Registration Number: 07699660