

eBOX670-891-FL

Fanless Embedded System with LGA1151 Socket 7th/6th Gen Intel® Core™ & Celeron® Processor, Intel® Q170, 2 HDMI, DisplayPort, 4 GbE LANs, 6 USB, 2 PCI Express Mini Card Slots

Features

- LGA1151 socket 7th/6th gen Intel® Core™ i7/i5/i3 & Celeron® processors (Kaby Lake/Skylake)
- 1 DisplayPort and 2 HDMI (1 HDMI 2.0) with triple view supported
- Supports Jumbo Frame (9.5k), WoL, PXE Remote Boot, Teaming
- 9 to 36 VDC wide range power input
- Flexible I/O window design
- AXView 2.0 intelligent remote monitoring software for IIoT



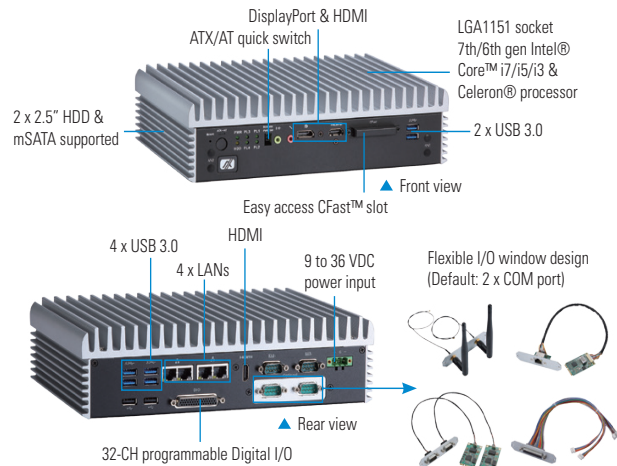
Specifications

Standard Color	Silver-black
Construction	Aluminum extrusion and heavy-duty steel, IP40
CPU	LGA1151 socket 7th/6th gen Intel® Core™ i7/i5/i3 & Celeron® processor (CPU TDP max. up to 35W)
System Memory	2 x 260-pin DDR4-2133 MHz SO-DIMM, up to 32GB
Chipset	Intel® Q170
BIOS	AMI
System I/O Outlet	2 x RS-232/422/485 (onboard) 2 x RS-232/422/485 (via cable on flexible IO window) 2 x HDMI (1 x HDMI 2.0 & 1 x HDMI 1.4b) 1 x DisplayPort 1 x Audio (Mic-in/Line-out) 4 x 10/100/1000 Mbps Ethernet (Intel® i210-IT, i219-LM) 4 x USB 3.0 & 2 x USB 2.0 32-channel programmable DI/DO 4 x SMA-type antenna connector 1 x Phoenix type VDC power input connector 1 x ATX power switch 1 x Remote power switch 1 x AT/ATX quick switch 1 x Reset switch 1 x Flexible I/O window (default : 2 x COM port)
Watchdog Timer	255 levels, 1 to 255 sec.
Storage	2 x 2.5" SATA HDD drive bay (max. up to 15 mm height & Supports RAID 0 & 1) 1 x CFast™ 1 x mSATA (enabled in BIOS setting)
Expansion Interface	2 x Full-size PCI Express Mini Card slot (USB + PCI Express signal) 1 x SIM slot
System Indicator	1 x green LED for power-on 1 x yellow LED for HDD active 4 x green LED for programmable
TPM	N/A
Power Input	9 to 36 VDC
Operating Temperature	-40°C to +60°C (-40°F to +140°F) (with W.T. DRAM/SSD for Skylake) -40°C to +55°C (-40°F to +131°F) (with W.T. DRAM/SSD for Kaby Lake)
Humidity	10% to 95%, non-condensing
Vibration Endurance	3 Grms with CFast™ (5 to 500 Hz, X, Y, Z directions)
Dimensions	280 mm (11.02") (W) x 190 mm (7.48") (D) x 76 mm (2.99") (H)
Weight (net/gross)	3.8 kg (8.37 lb)/4.6 kg (10.14 lb)
Certifications	CE, FCC Class A
EOS Support	WEBS, Win 10 IoT, Linux, AXView 2.0

* W.T.: Wide Temperature. All W.T. supported products have to be sorted by Axiomtek.

Packing List

- | | |
|----------------------------|------------------------------|
| 1 x Quick manual | 1 x Terminal block connector |
| 1 x Driver CD | 1 x Remote switch cable |
| 1 x Screw pack | 2 x HDD bracket |
| 4 x Pre-installed foot pad | 1 x CPU thermal pad |



Power Protection

DC Version

- OVP (over voltage protection)
- UVP (under voltage protection)
- OCP (over current protection)
- SCP (short circuit protection)
- Reverse protection

Ordering Information

Standard

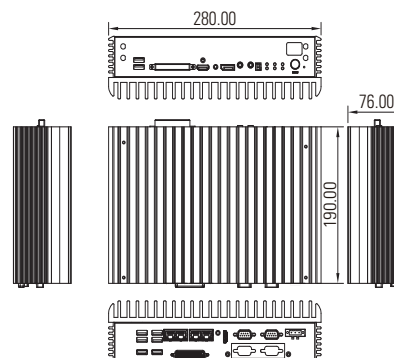
eBOX670-891-FL-DC-Flexible IO	Fanless embedded system with LGA1151 socket 7th/6th gen Intel® Core™ i7/i5/i3 & Celeron® processor, Intel® Q170, 2 HDMI, DisplayPort, 4 GbE LANs, 6 USB, CFast™, dual PCI Express Mini Card slots and 9 to 36 VDC
-------------------------------	-------------------------------------------------------------------------------------------------------------------------------------------------------------------------------------------------------------------

Optional

2.5" SATA HDD	64GB or above
2.5" SATA SSD	100GB or above
DDR4 SO-DIMM	2GB to 16GB
CFast™	64GB (W.T.)
8816K6603A0E	Wi-Fi module
	3G/LTE module
8816K6701A0E	Wall mount kit
8816K6702A0E	DIN-rail kit
50906D24000E	24V 120W adapter
E392903102	AX92903 CANbus PCI Express Mini module
E392903103	AX92903 CAN module with CANopen
E392902103	AX92902 LAN PCI Express Mini module
E392904102	AX92904 DIO PCI Express Mini module

* Specifications and certifications may vary based on different requirements.

Dimensions



Assured Systems

Assured Systems is a leading technology company with over 1,500 regular clients in 80 countries, deploying over 85,000 systems to a diverse customer base in 12 years of business. We offer high-quality and innovative rugged computing, display, networking and data collection solutions to the embedded, industrial, and digital-out-of-home market sectors.

US

sales@assured-systems.com

Sales: +1 347 719 4508
Support: +1 347 719 4508

1309 Coffeen Ave
Ste 1200
Sheridan
WY 82801
USA

EMEA

sales@assured-systems.com

Sales: +44 (0)1785 879 050
Support: +44 (0)1785 879 050

Unit A5 Douglas Park
Stone Business Park
Stone
ST15 0YJ
United Kingdom

VAT Number: 120 9546 28
Business Registration Number: 07699660