

## ARCDIS-117AP/R/G(H)

17" Front Panel IP66 Aluminum Die-casting Display

Industrial Panel PC

HMI Controller

**Industrial Display Monitor**

Box PC



### Features

- Industrial Display
- Flat front panel touch screen
- Fanless design
- Wide range DC 9~36V power input
- IP66 compliant front panel
- VGA/DVI-D/HDMI/DP input
- System power LED light
- High Brightness LCD and Auto Dimming for option
- Support protective AR glass for option (non-touch version)

### Specifications

I/O Port	
VGA	1 x VGA
DVI	1 x DVI-D (share with HDMI)
DP	1 x DP
HDMI	1 x HDMI (share with DVI-D)
Audio	1 x Audio line-in phone jack
OSD Control Membrane	OSD at rear side
Power	1 x 3-pin terminal block for DC 9~36V power input
Others	1 x USB type B for touch control Optional I/O: 1 x Speaker 1 x RS-232 DB-9 for touch control

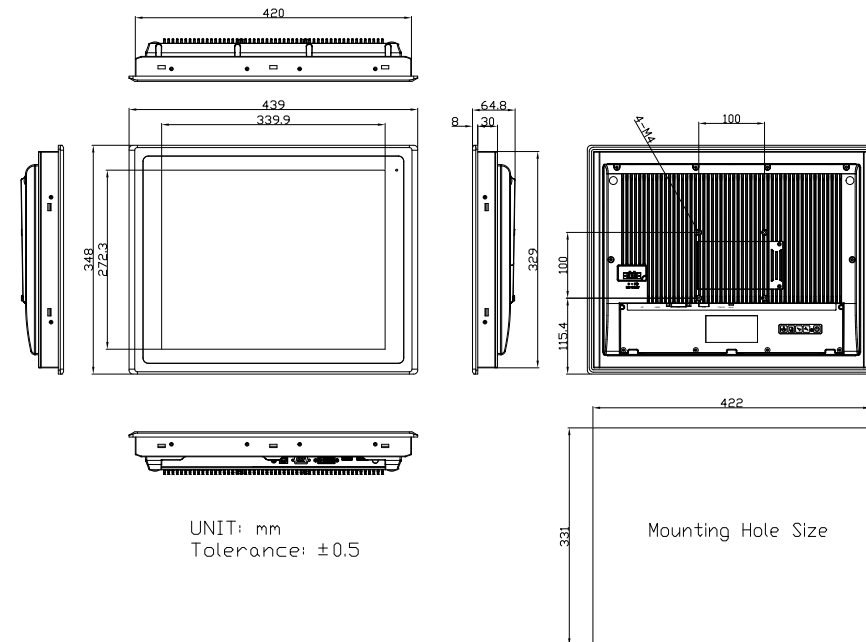
Display	Standard	High Brightness Optional
Display Type	17" TFT-LCD	17" TFT-LCD
Max. Resolution	1280 x 1024	1280 x 1024
Max. Color	16.2M	16.7M
Luminance (cd/m <sup>2</sup> )	350	1000
View Angle	170(H) / 160(V)	170(H) / 160(V)
Contrast	1000:1	1000:1
Backlight Lifetime	30,000 hrs	50,000 hrs

Touch Screen	
Type	Resistive Touch (for AR Model) Projected Capacitive Touch (for AP Model) Glass (for AG model)
Interface	USB default (Resistive / Projected Capacitive Touch) RS-232 Option (Resistive Touch)
Light Transmission(%)	Resistive Touch : over 80% Projected Capacitive Touch : over 90%

Power	
Power Input	DC 9~36V
Power Consumption	ARCDIS-117AP: 11W (MAX)

Mechanical	
Construction	Aluminum Front Bezel/ Aluminum Die-casting for Back Cover
Mounting	Panel Mount / VESA Mount 100 x 100
IP Rating	IP66 Compliant Front Panel
Dimensions (WxHxD)	439 x 348 x 64.8 mm
Net Weight	6 kg

### Dimensions



Environmental	
Operating Temperature	0~50°C / -20~60°C for option
Storage Temperature	-30~70°C
Humidity	10 to 95% @ 40°C, non-condensing
Certificate	CE/FCC, Class A

Ordering Information	
ARCDIS-117AR	17" SXGA FPD Industrial display, Resistive touch window, VGA, DVI-D, HDMI, and DP input, 5 keys Rear OSD, DC 9~36V power input with adapter, Aluminum Die-casting Chassis
ARCDIS-117AP	17" SXGA FPD Industrial display, Projected Capacitive touch screen, VGA, DVI-D, HDMI, and DP input, 5 keys Rear OSD, DC 9~36V power input with adapter, Aluminum Die-casting Chassis

## Assured Systems

Assured Systems is a leading technology company with over 1,500 regular clients in 80 countries, deploying over 85,000 systems to a diverse customer base in 12 years of business. We offer high-quality and innovative rugged computing, display, networking and data collection solutions to the embedded, industrial, and digital-out-of-home market sectors.

### US

[sales@assured-systems.com](mailto:sales@assured-systems.com)

Sales: +1 347 719 4508  
Support: +1 347 719 4508

1309 Coffeen Ave  
Ste 1200  
Sheridan  
WY 82801  
USA

### EMEA

[sales@assured-systems.com](mailto:sales@assured-systems.com)

Sales: +44 (0)1785 879 050  
Support: +44 (0)1785 879 050

Unit A5 Douglas Park  
Stone Business Park  
Stone  
ST15 0YJ  
United Kingdom

VAT Number: 120 9546 28  
Business Registration Number: 07699660