

# ZiggyBox™ Mini NVIDIA® Jetson™ Computer System



## High Performance, Compact Size

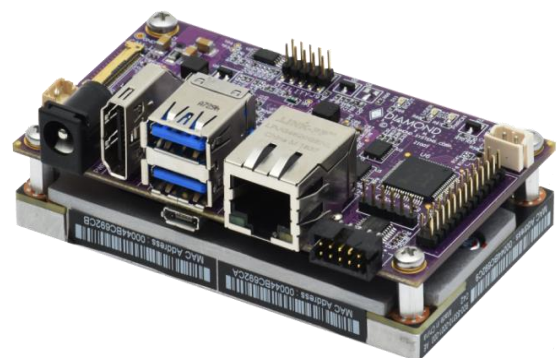
The ZiggyBox provides a compact and highly cost-effective solution for AI at the edge and machine learning applications for industrial and lab applications. It is based around the NVIDIA® Jetson™ TX2/TX2i advanced computing module with NVIDIA Pascal™-family GPU technology. The Jetson module is housed in a rugged miniature enclosure measuring only 2.5 x 2.6 x 3.8" (63 x 67 x 96mm).

ZiggyBox offers easy access to the most popular Jetson I/O features, including Ethernet, USB 3.0 / 2.0 / OTG ports, HDMI display, and 2 RS-232 ports. The built-in carrier board adds a valuable data acquisition circuit with real-world analog and digital I/O features and software support.

An integrated heat sink provides reliable operation at up to 80°C without forced air. With its integrated Linux OS and table-top / DIN rail mounting options, ZiggyBox is ready to be deployed wherever the combination of high-performance computing and ultra-compact size are required.

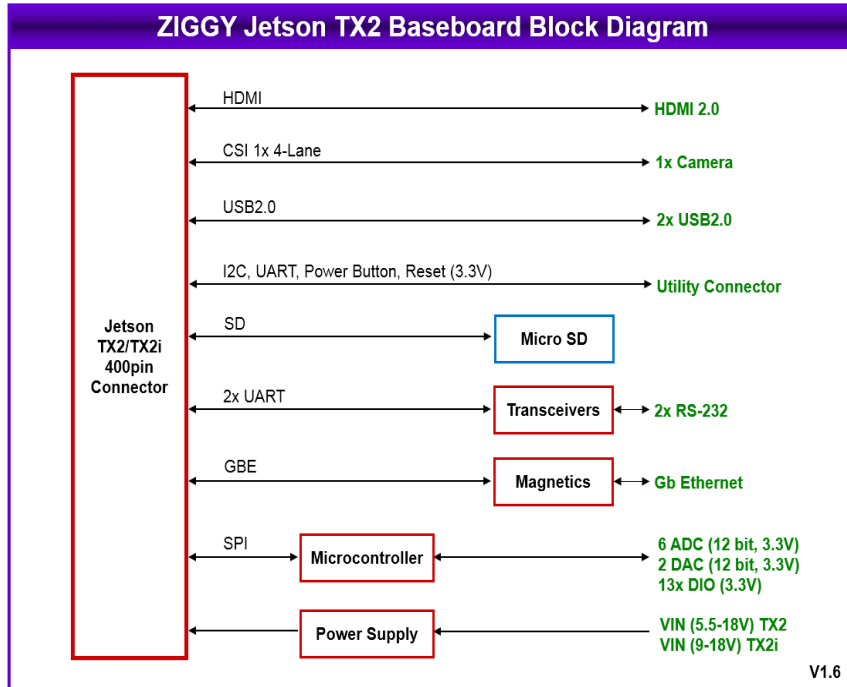
## Features

- ◆ NVIDIA® Jetson™ TX2 / TX2i processor
- ◆ 8GB RAM, 32GB Flash
- ◆ 1x 10/100/1000 Ethernet (RJ-45)
- ◆ 1x USB 3.0 Type A + 1x USB 2.0 Type A
- ◆ 1x USB 2.0 micro with OTG support
- ◆ 1x HDMI
- ◆ 2x RS-232
- ◆ 6x analog inputs, 12-bit resolution, 0-3.3V input range, up to 1Msps throughput
- ◆ 2x analog outputs, 12-bit resolution, 0-3.3V output range
- ◆ 12x digital I/O, 3.3V logic levels
- ◆ Wifi and Bluetooth connectivity (TX2 model only)
- ◆ Built-in Linux OS
- ◆ Input voltage:
  - 9-15VDC (TX2 model)
  - 9V-19VDC (TX2i model)
- ◆ Dimensions: 63 x 67 x 96mm / 2.5 x 2.6 x 3.7"
- ◆ Operating temperature: -40°C to 85°C



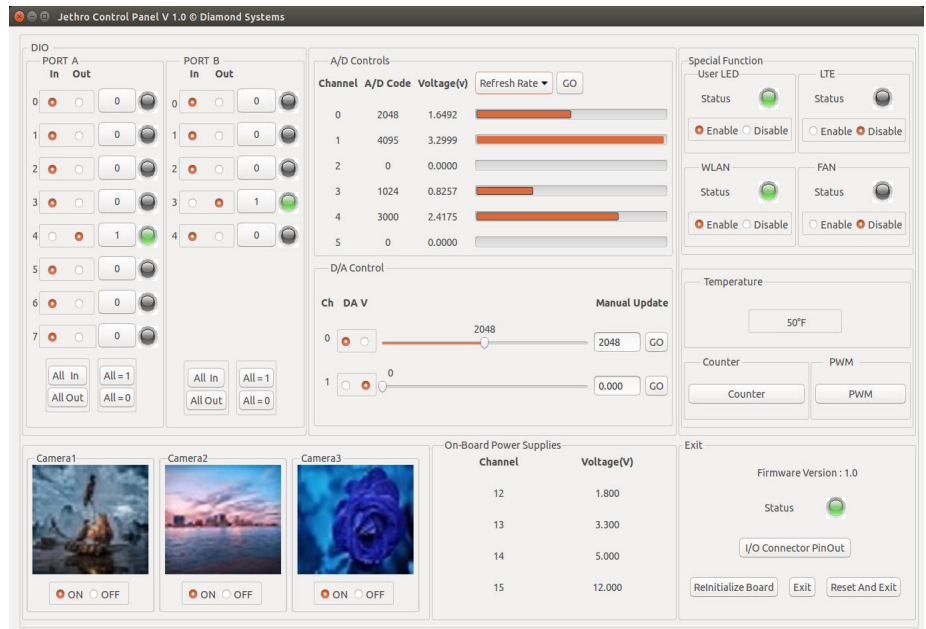
ZiggyBox internal electronics showing Jetson TX2/TX2i Module and Diamond Ziggy carrier board

# ZiggyBox™ Mini NVIDIA® Jetson™ Computer System



## Data Acquisition

ZiggyBox contains a full-fledged analog and digital I/O circuit that provides control and monitoring of real-world events such as sensors, temperature controls, keypads & switches, and industrial processes. All features are supported by Diamond's built-in data acquisition driver software, featuring a programming library with application demos plus an interactive GUI-based control program that offers real-time access and control.



## Ordering Information

### ZIGBOX-20-HD

ZiggyBox with TX2 module, heat sink (no fan), DIN bracket

### ZIGBOX-21-HD

ZiggyBox with TX2i module, heat sink (no fan), DIN bracket

## Assured Systems

Assured Systems is a leading technology company with over 1,500 regular clients in 80 countries, deploying over 85,000 systems to a diverse customer base in 12 years of business. We offer high-quality and innovative rugged computing, display, networking and data collection solutions to the embedded, industrial, and digital-out-of-home market sectors.

### US

[sales@assured-systems.com](mailto:sales@assured-systems.com)

Sales: +1 347 719 4508  
Support: +1 347 719 4508

1309 Coffeen Ave  
Ste 1200  
Sheridan  
WY 82801  
USA

### EMEA

[sales@assured-systems.com](mailto:sales@assured-systems.com)

Sales: +44 (0)1785 879 050  
Support: +44 (0)1785 879 050

Unit A5 Douglas Park  
Stone Business Park  
Stone  
ST15 0YJ  
United Kingdom

VAT Number: 120 9546 28  
Business Registration Number: 07699660