

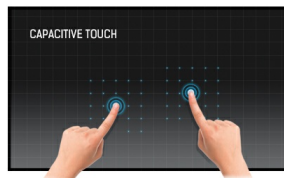


PROLITE T2251MSC-B1



22" P-CAP 10pt multi-touch monitor featuring IPS panel technology

With its Full HD (1920x1080) resolution and accurate Projective Capacitive 10 point touch technology, the ProLite T2251MSC-B1 delivers seamless and accurate touch response. Featuring IPS LED screen technology, it offers exceptional colour performance and wide viewing angles, making it a perfect choice for a vast array of interactive applications. In addition, the edge-to-edge glass and ultra slim design creates an eye-catching finish. Users can benefit from its hinged stand allowing the monitor to lay down completely flat for use as a giant tablet. The ProLite T2251MSC-B1 is the ideal solution for interactive signage, instore retail, POS and interactive presentations.



Touch technology - Capacitive

This technology uses a sensor-grid of micro-fine wires integrated into the glass that covers the screen. Touch is detected because electrical characteristics of the sensor grid change when human finger is placed on the glass. Thanks to the glass overlay this technology is highly durable, and the touch function remains unaffected even if the glass is scratched. It offers perfect picture performance and will work with human finger (also latex gloved) and stylus-pen.



IPS Technology

IPS displays are best known for wide viewing angles and natural, highly accurate colours. They are especially suited for colour-critical applications.

01 DISPLAY CHARACTERISTICS

| | |
|-------------------------|---|
| Design | Ultra thin bezel |
| Diagonal | 21.5", 54.7cm |
| Panel | IPS Panel Technology LED |
| Native resolution | 1920 x 1080 (2.1 megapixel Full HD) |
| Aspect ratio | 16:9 |
| Panel brightness | 250 cd/m ² |
| Static contrast | 1000:1 |
| Advanced contrast | 5M:1 |
| Response time (GTG) | 7ms |
| Viewing zone | horizontal/vertical: 178°/178°, right/left: 89°/89°, up/down: 89°/89° |
| Colour support | 16.7mln |
| Horizontal Sync | 24 - 83kHz |
| Viewable area W x H | 476.64 x 268.11mm, 18.8 x 10.6" |
| Pixel pitch | 0.248mm |
| Bezel colour and finish | black, matte |

02 TOUCH

| | |
|-----------------------------|---|
| Touch technology | projective capacitive |
| Touch points | 10 (HID, only with supported OS) |
| Touch method | stylus, finger, glove (latex) |
| Touch interface | USB |
| Supported operating systems | All iiyama monitors are Plug & Play and compatible with Windows and Linux. For details regarding the supported OS for the touch models, please refer to the driver instruction file available in the downloads section. |

03 INTERFACES / CONNECTORS / CONTROLS

| | |
|----------------------|---------------------------|
| Analog signal input | VGA x1 |
| Digital signal input | HDMI x1 DisplayPort x1 |
| Audio input | Mini jack x1 |
| Audio output | Speakers 2 x 2W |
| HDCP | yes |

04 FEATURES

| | |
|--------------|-----|
| OSD key lock | yes |
|--------------|-----|

05 GENERAL

| | |
|-----------------|---|
| OSD languages | EN, DE, FR, IT, CN, RU, JP, CZ, NL, PL |
| Control buttons | Power, Select/ Input Select, Scroll up/ Audio, Scroll down/ i-Style Colour, Menu |
| User controls | auto image adjust, picture adjust (contrast, brightness, ACR, ECO, OD) input select, audio adjust (volume, mute, audio input) colour adjust (cool, normal, warm, user colour, i-Style color) information, manual image adjust (H./V. position, clock, phase, sharpness, video mode adjust, blue light reducer, X-Res technology) setup menu (language select, OSD position, OSD time out, OSD background, opening logo, LED), memory recall |
| Convenience | Kensington-lock™ prepared |

| | |
|--------------------|-------|
| Blue light reducer | yes |
| Flicker free | yes |
| Plug&Play | DDC2B |

06 MECHANICAL

| | |
|---------------|-----------------------------------|
| Tilt angle | 15° up; 70° down |
| VESA mounting | 100 x 100mm |
| MTBF | 50000 hours (excluding backlight) |

07 ACCESSORIES INCLUDED

| | |
|--------|---------------------------------|
| Cables | power, USB, HDMI |
| Guides | quick start guide, safety guide |

08 POWER MANAGEMENT

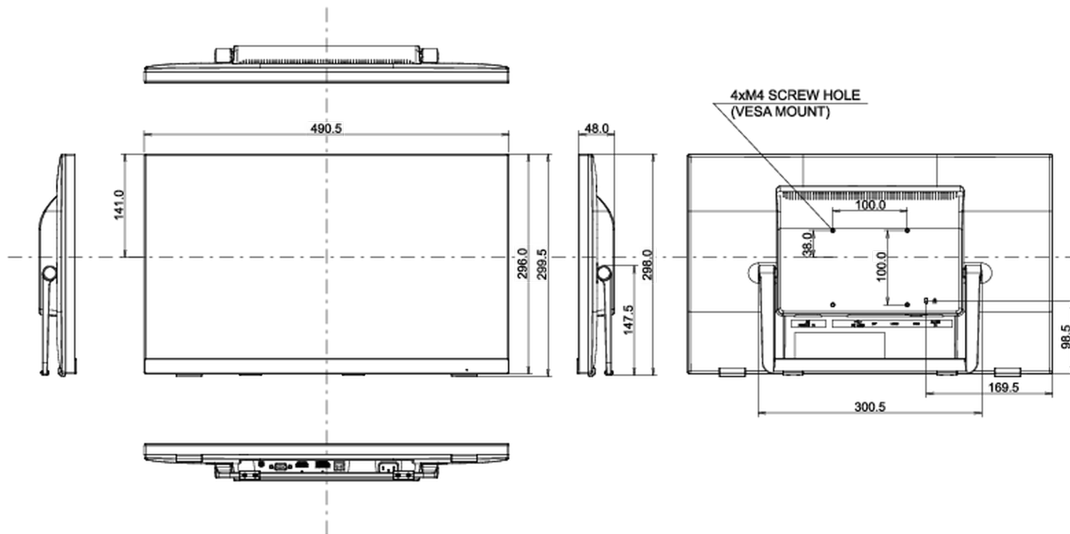
| | |
|-------------------|---|
| Power supply unit | internal |
| Power supply | AC 100 - 240V, 50/60Hz |
| Power usage | 18W typical, 0.5W stand by, 0.3W off mode |

09 SUSTAINABILITY

| | |
|---|---|
| Regulations | CE, TÜV-Bauart, EAC, RoHS support, ErP, WEEE, REACH, UKCA |
| Energy efficiency class (Regulation (EU) 2017/1369) | F |
| REACH SVHC | above 0.1%: Lead |

10 DIMENSIONS / WEIGHT

| | |
|------------------------------|----------------------|
| Product dimensions W x H x D | 490.5 x 299.5 x 48mm |
| Box dimensions W x H x D | 550 x 358 x 111mm |
| Weight (without box) | 3.5kg |
| Weight (with box) | 5.2kg |
| EAN code | 4948570119509 |



All trademarks and registered trademarks acknowledged. E & O E. Specification subject to change without notice. All LCD's comply with ISO-9241-307:2008 in connection with pixel defects.

© IIYAMA CORPORATION. ALL RIGHTS RESERVED

Assured Systems

Assured Systems is a leading technology company with over 1,500 regular clients in 80 countries, deploying over 85,000 systems to a diverse customer base in 12 years of business. We offer high-quality and innovative rugged computing, display, networking and data collection solutions to the embedded, industrial, and digital-out-of-home market sectors.

US

sales@assured-systems.com

Sales: +1 347 719 4508
Support: +1 347 719 4508

1309 Coffeen Ave
Ste 1200
Sheridan
WY 82801
USA

EMEA

sales@assured-systems.com

Sales: +44 (0)1785 879 050
Support: +44 (0)1785 879 050

Unit A5 Douglas Park
Stone Business Park
Stone
ST15 0YJ
United Kingdom

VAT Number: 120 9546 28
Business Registration Number: 07699660