

## PhanTAM-916CP(H)

15.6" IP66 / IP69K True Flat and Slim Design Stainless Steel Panel PC

Industrial Panel PC

HMI Controller

Industrial Display Monitor

Box PC



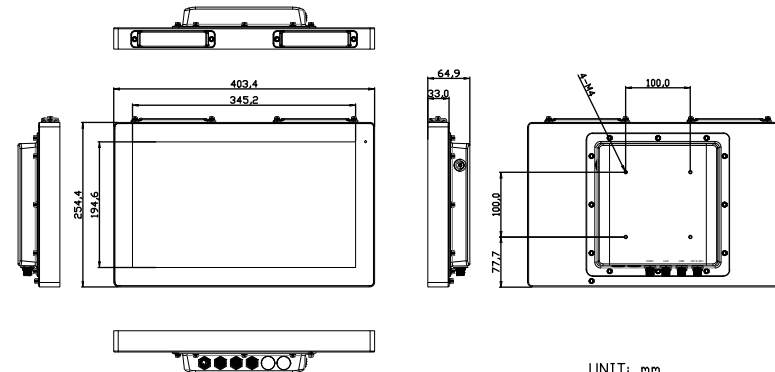
### Features

- 15.6" New Generation Stainless Steel Panel PC
- 11th Gen. Intel Core i3/i5 BGA type Processor
- True Flat Front Bezel Design and Grade 304 Stainless Steel Enclosure (Grade 316 for Option)
- IP66/IP69K Rated with M12 Connectors
- Ultra Slim Front Frame Design
- Special Hygienic Bolts on Rear Case
- Waterproof Wireless Antenna Covers to Solve the Bend Damage and Easy to Clean
- Support Ergonomic Versatile Mounting:  
VESA Mount 100 x 100 / Floor Stand / Swing ARM

### Specifications

System		
CPU	Onboard 11th Gen. Intel Core i3/i5 Processor Core i5-1145G7E (Quad Core, 8 MB cache, 1.50 GHz) Core i3-1115G4E (Dual Core, 6 MB cache, 2.20 GHz)	
System Chipset	SoC	
Memory	2 x 260-pin SO-DIMM up to 64GB DDR4 3200MHz	
TPM	TPM 2.0	
IO Port		
USB	1 x M12 8-pin for 2 x USB 2.0 with waterproof cover	
Serial / Parallel	1 x M12 8-pin COM1, RS-232/422/485, default RS-232, with waterproof cover	
LAN	1 x M12 8-pin for LAN with waterproof cover	
Power Connector	1 x M12 3-pin for DC power with waterproof cover 1 x Power switch on the rear	
Option	2 x optional blank M12 connector with waterproof cover for selecting two from the following options: 2 x USB 2.0 1 x USB 3.2 Gen.1 1 x HDMI 1 x LAN 1 x COM 1 x CAN	
Storage Space		
M.2	1 x M-Key 2280 (PCIe x4) for SSD	
Expansion		
Expansion slot	1 x Full size mPCIe/mSATA (mPCIe as default, select by BIOS) 1 x NANO-SIM 1 x M.2 E-key 2230 (PCIe+USB) for optional WIFI/BT module	
RFID module	RFID module design on the front side (for option)	
Display		
	Standard	High Brightness Optional
Display Type	15.6" TFT-LCD	15.6" TFT-LCD
Max. Resolution	1366 x 768 / 1920 x 1080	1366 x 768 / 1920 x 1080
Max. Color	16.7M / 16.2M	16.7M / 16.2M
Luminance (cd/m <sup>2</sup> )	400/450	1000
View Angle (H/V)	170(H)/160(V) 170(H)/170(V)	160(H)/160(V) 170(H)/170(V)
Contrast	500:1 / 800:1	800:1
Backlight Lifetime	50,000 hrs	50,000 hrs
Touch Screen		
Type	Projected Capacitive Touch	
Interface	USB	
Light Transmission(%)	90%	

### Dimensions



UNIT: mm  
Tolerance: +0.5

Power	
Power Input	DC 9~36V
Power Consumption	PhanTAM-916CP: 32W
Mechanical	
Construction	304 Stainless Steel Chassis (default), 316 Stainless Steel Chassis (optional)
Mounting	VESA Mount 100 x 100, Floor Stand / Swing ARM (optional)
IP Rating	Total IP66/IP69K
Dimensions	404.4 x 225.4 x 64.9 mm
Net Weight	5.1 kg
Environmental	
Operating Temperature	0~50°C (WT1: -20~60°C for optional)
Storage Temperature	-30~70°C
Humidity	10 to 90% @ 40°C, non-condensing
Certificate	CE/FCC Class A
Operating System Support	
Windows 10 IoT ENT LTSB, Windows 11	
Ordering Information	
PhanTAM-916CP	15.6" WXGA IP66/IP69K stainless steel panel pc, Intel 11th Gen. Core i Processor, 2 x SO-DIMM DDR4 slots, 128GB TLC SSD, projected capacitive touch, 9~36V DC power input with Adapter
PhanTAM-916CPH	15.6" WXGA IP66/IP69K stainless steel panel pc, Intel 11th Gen. Core i Processor, 2 x SO-DIMM DDR4 slots, 128GB TLC SSD, projected capacitive touch, 9~36V DC power input with Adapter, 1000 nits

## Assured Systems

Assured Systems is a leading technology company with over 1,500 regular clients in 80 countries, deploying over 85,000 systems to a diverse customer base in 12 years of business. We offer high-quality and innovative rugged computing, display, networking and data collection solutions to the embedded, industrial, and digital-out-of-home market sectors.

### US

[sales@assured-systems.com](mailto:sales@assured-systems.com)

Sales: +1 347 719 4508

Support: +1 347 719 4508

1309 Coffeen Ave  
Ste 1200  
Sheridan  
WY 82801  
USA

### EMEA

[sales@assured-systems.com](mailto:sales@assured-systems.com)

Sales: +44 (0)1785 879 050

Support: +44 (0)1785 879 050

Unit A5 Douglas Park  
Stone Business Park  
Stone  
ST15 0YJ  
United Kingdom

VAT Number: 120 9546 28

Business Registration Number: 07699660