



INDUSTRIAL DISPLAY SYSTEM

SIO-215-J1900

15" XGA Resistive / Capacitive Touch Stainless Steel Panel PC with Intel® Celeron® Processor J1900



FEATURES

- 15" TFT XGA 4:3 LCD with resistive 5-wire / projected capacitive touch
- Intel® Celeron® processor J1900, 2.0 GHz
- 1x 4GB DDR3L SODIMM, 1x 64GB mSATA
- 1x M12 for 2x USB 2.0, 1x M12 for LAN, 1x M12 for COM
- 1x Full-size Mini PCIe for expansion
- Support 110V to 240V AC power input by M12 Power Connector
- -20°C to 55°C operating temperature
- Full system IP66/IP69K with Stainless Steel SUS316 construction
- Touch Function ON/OFF Switch

SPECIFICATIONS

Display	
LCD Size	15" (4:3)
Max. Resolution	1024 x 768
Brightness (cd/m ²)	300 / 1000 (Optional)
Contrast Ratio	2,000:1
LCD Color	16.2M
Pixel Pitch (mm)	0.297 (H) x 0.297 (V)
Viewing Angle (H-V)	176 / 176
Backlight MTBF	70000 hrs (LED Backlight)
Touch	
Resistive 5-wire	For SIO-215R-J1900
Projected Capacitive	For SIO-215C-J1900
System	
Processor	Intel® Celeron® Processor J1900, Quad Core, 2MB Cache, 2.0 GHz
System Chipset	SoC integrated
LAN Chipset	GbE1: Intel® I210-IT (Support Wake-on-LAN and PXE) GbE2: Intel® I210-IT (Support Wake-on-LAN and PXE)
Audio Codec	Realtek ALC886
System Memory	4GB DDR3L SODIMM
BIOS	AMI uEFI 8Mbit SPI BIOS
Watchdog	Software Programmable Supports 1~255 sec. System Reset
Storage	
mSATA	64GB mSATA SSD
SIM Socket	1x Internal SIM socket
Expansion	
Mini PCI Express	1x Full-size Mini PCIe
I/O	
COM	1x RS-232/422/485 by M12 A-Code 8-pin
USB	2x USB 2.0 by M12 A-Code 8-pin
LAN	1x LAN by M12 X-Code 8-pin
Other I/O By Option	1x Additional RS-232/422/485 by M12 A-Code 8-pin 2x Additional USB 2.0 by M12 A-Code 8-pin 1x Additional LAN by M12 X-Code 8-pin 2x WiFi Antenna

Other Features

OSD	OSD: Power On/Off, Reset Touch: On/Off switch
-----	--

Operating System

Windows	Windows 10
Linux	Linux kernel 3.X

Power

Power Mode	ATX
Power Supply Voltage	110 ~ 240V AC Input Optional 12V DC Input
Power Connector	M12 A-code 4-pin
Power Adaptor	Optional AC/DC 12V/5A, 60W Optional Waterproof Power Input Cable

Environment

Operating Temp.	-20°C to 55°C optional wide Temp. -20°C to 60°C
Storage Temp.	-20°C to 70°C
Relative Humidity	10%-80% (non-condensing)
Vibration	With SSD: 2.4 Grms, 5 - 500 Hz, 0.5 hr/axis With HDD: 1 Grms, 5 - 500 Hz, 0.5 hr/axis

Shock	With SSD: 20G, half sine, 11ms
-------	--------------------------------

IP Level	Full System IP66/IP69K
----------	------------------------

Standards / Certification	CE, FCC Class A
---------------------------	-----------------

Physical

Front Panel Construction	Stainless Steel SUS316
--------------------------	------------------------

Dimension	385 (W) x 310 (H) x 49.5 (D) mm
-----------	---------------------------------

Weight	SIO-215R: 5.83Kg SIO-215C: 5.96Kg
--------	--------------------------------------

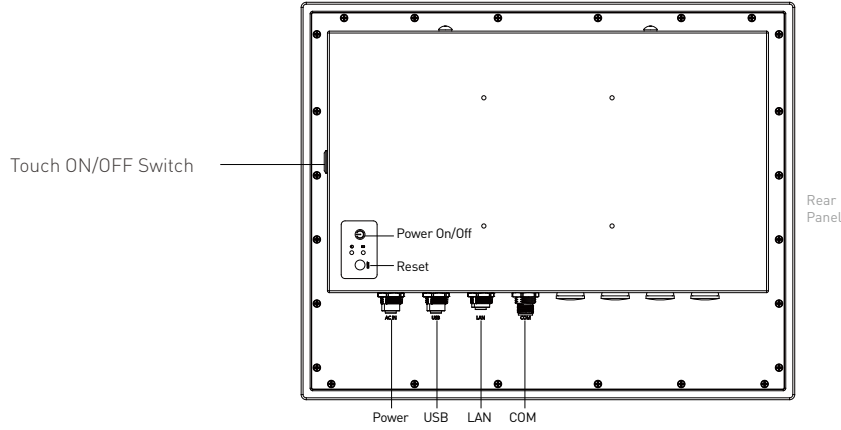
Mounting	VESA Mounting Holes 100 x 100mm Optional Yoke Mount, Panel Mount
----------	---

* All specifications and photos are subject to change without notice.

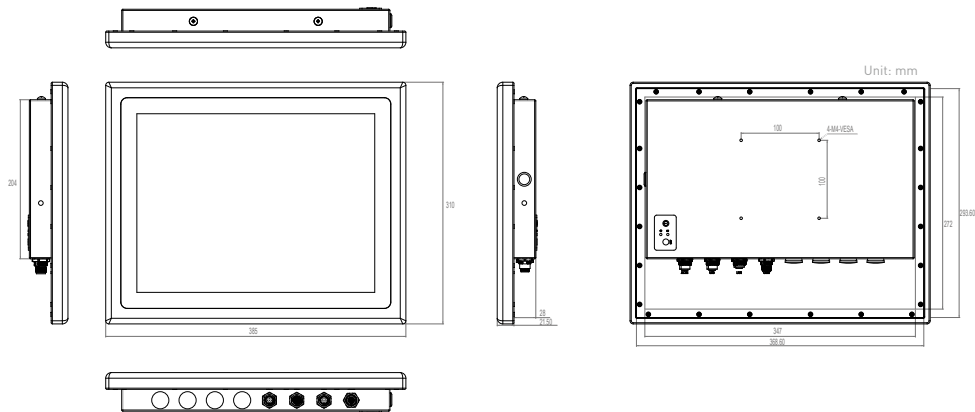


SIO-215-J1900

EXTERNAL I/O MECHANICAL LAYOUT



DIMENSION



ORDERING INFORMATION

MODEL NO.	DESCRIPTION
1-TPWR00027	Waterproof AC Power Input M12 A-CODE 4P PWR Cable to Plug Type_US L=3M
1-TPWR00028	Waterproof AC Power Input M12 A-CODE 4P PWR Cable to Plug Type_EU L=3M
1-TUSB00034	Waterproof USB 2.0 Cable 3M
1-TCOM00019	Waterproof COM Cable 3M
1-TLAN00015	Waterproof LAN Cable 3M

PACKING LIST

- 1x SIO-215-J1900 Series Stainless Steel Panel PC
- 1x Utility DVD Driver
- 1x Waterproof Connector Cover Set

AVAILABLE MODELS

MODEL NO.	DESCRIPTION
SIO-215R-J1900	15" XGA Resistive Touch Stainless Steel Panel PC with Intel® Celeron® Processor J1900
SIO-215C-J1900	15" XGA Capacitive Touch Stainless Steel Panel PC with Intel® Celeron® Processor J1900
SIO-215HR-J1900	15" XGA HB 1000nits Resistive Touch Stainless Steel Panel PC with Intel® Celeron® Processor J1900
SIO-215HC-J1900	15" XGA HB 1000nits Capacitive Touch Stainless Steel Panel PC with Intel® Celeron® Processor J1900

Assured Systems

Assured Systems is a leading technology company with over 1,500 regular clients in 80 countries, deploying over 85,000 systems to a diverse customer base in 12 years of business. We offer high-quality and innovative rugged computing, display, networking and data collection solutions to the embedded, industrial, and digital-out-of-home market sectors.

US

sales@assured-systems.com

Sales: +1 347 719 4508
Support: +1 347 719 4508

1309 Coffeen Ave
Ste 1200
Sheridan
WY 82801
USA

EMEA

sales@assured-systems.com

Sales: +44 (0)1785 879 050
Support: +44 (0)1785 879 050

Unit A5 Douglas Park
Stone Business Park
Stone
ST15 0YJ
United Kingdom

VAT Number: 120 9546 28
Business Registration Number: 07699660