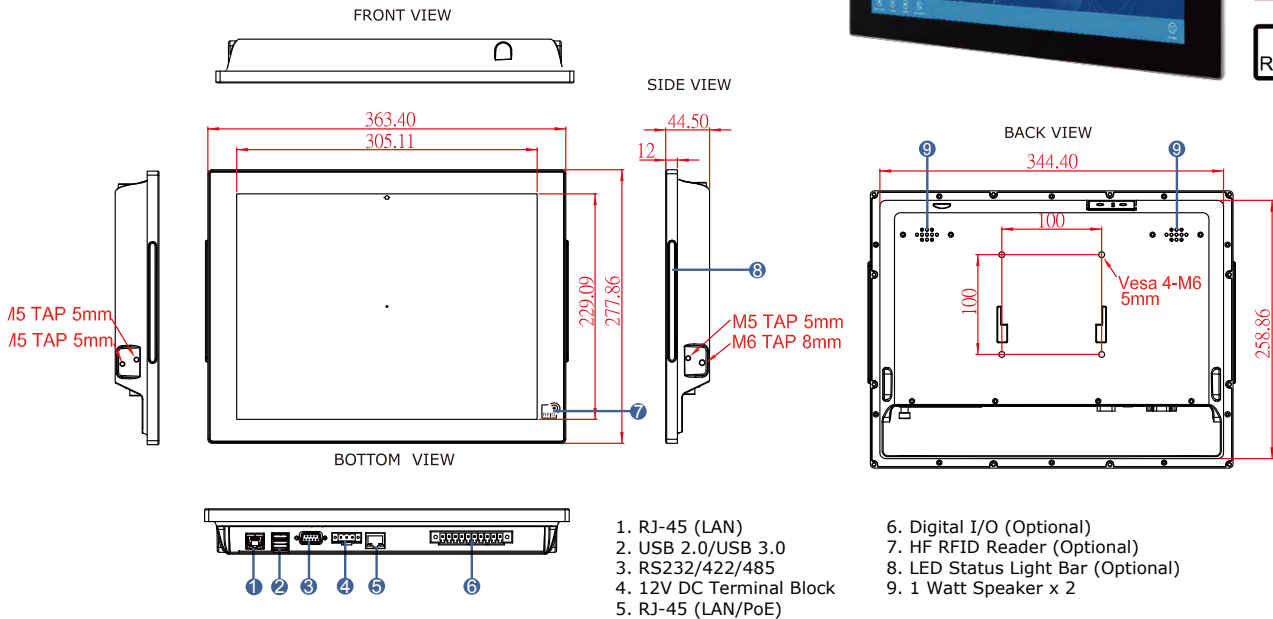


15" S-Series HMI - R15IB3S-PCC3-PoE

Features

- 15" 1024 x 768 Resolution with Projected Capacitive Multi-Touch (P-CAP)
- Low-Power System with Intel® Celeron® N2930 Processor
- Fanless Cooling System and Ultra-low Power Consumption
- Dual Gigabit Ethernet
- Front IP65 Water and Dust Proof
- Support PoE function
- Optional RGB LED Light Bar Indicators, on 2 sides
- Optional HF RFID Reader
- Room Booking Schedule, Access Control, Room Information Display



Specifications

System :

- Processor : Intel® Celeron® Bay Trail-M N2930 1.83GHz
- Memory : 2GB DDR3L-1600 SODIMM, Max 8GB
- Storage : 64GB M.2 SSD (Optional to 128GB)
- System Chipset : Intel® ATOM SoC Integrated
- LAN : Dual Intel® I210-AT GbE LAN

Display Specification :

- Size/ Type : 15" TFT(LED Back Light)
- Resolution (pixels) : 1024 x 768
- Brightness (cd/m2) : 250 cd/m2
- Touch interface : Projected Capacitive Multi-Touch (P-CAP)

Input / Output

- Serial Ports : RS232/422/485
- USB Ports : 1 x USB 3.0
1 x USB 2.0
- Ethernet : 1 x RJ 45-10/100/1000 Mbps (LAN)
1 x RJ45 (PoE)
- DIDO : 1 x DIDO (Optional)

Power

- Power Input : 12V DC
- Power over Ethernet: Power Device (PD) follows IEEE 802.3at (25 W)
PoE support condition: used without other power-consuming devices
- Power consumption : 23W

Mechanical Specification :

- Cooling System : Fanless design
- Mounting : VESA Mount(100x100mm), Panel Mount, Front Side Wall Mount
- Dimension (W x H x D) : 363.40 x 277.86 x 44.50 (mm)

Environment :

- Operating Temperature : 0 °C to 50 °C
- Humidity : 10% to 90% non-condensing
- IP Rating : Front IP65

OS/BSP Driver Support :

- Operating System : Windows 10 IoT Enterprise
: Windows Embedded 8.1 Industry Pro
: Windows Embedded 8 Standard
: Windows Embedded 7 Standard

Security Support :

- Trusted Platform Module (TPM 1.2)

Peripheral :

- HF RFID Reader : HF RFID Reader 13.56 MHz (Optional)
- LED Light Bar : RGB LED Status Light Bar (Optional)

Software :

- Utility : "HotTab"



Assured Systems

Assured Systems is a leading technology company with over 1,500 regular clients in 80 countries, deploying over 85,000 systems to a diverse customer base in 12 years of business. We offer high-quality and innovative rugged computing, display, networking and data collection solutions to the embedded, industrial, and digital-out-of-home market sectors.

US

sales@assured-systems.com

Sales: +1 347 719 4508
Support: +1 347 719 4508

1309 Coffeen Ave
Ste 1200
Sheridan
WY 82801
USA

EMEA

sales@assured-systems.com

Sales: +44 (0)1785 879 050
Support: +44 (0)1785 879 050

Unit A5 Douglas Park
Stone Business Park
Stone
ST15 0YJ
United Kingdom

VAT Number: 120 9546 28
Business Registration Number: 07699660