

R17IK3S-RKA1ML, 17-inch Military Rack Panel PC Intel Kaby Lake Platform

Winmate's Military Series of console rack Panel PCs are durable PCs that have undergone rigorous testing to ensure safety and performance that goes beyond standard military compliance. These PCs include MIL-DTL-38999 type I connectors and are built to survive drops, shocks, liquid spills, vibrations, dust and extreme temperatures; our specially designed military line of products have also been tested for MIL-STD-810G environmental and MIL-STD 461F EMC standards. The rugged, high-resolution display offers optimized visibility with optical bonding and easy-to-use OSD front panel controls. The advanced computing platform enables faster searches and real-time positioning information, providing rapid response capabilities that are incomparable to a standard PC.



Highlights

- 17" SXGA TFT-LCD
- Intel® Core™ i5-7200U 2.5GHz Processor
- Anti-Corrosion Housing / Fanless
- Compliant with MIL-STD-810G/F , MIL-STD-461E/F
- Flush Rack / Rack Mount Mechanical Design (8U)
- Convenient On-Screen Display Controls
- AC 110~240V Power input default / Isolation DC 9~36V Power input (Optional)
- Built-in Light Sensor for auto brightness control
- Military Grade Power Connector (MIL-DTL-38999/1)

R17IK3S-RKA1ML, 17-inch Military Rack Panel PC Intel Kaby Lake Platform

Display Specification

| | |
|----------------|----------------|
| Resolution | 1280 x 1024 |
| Contrast Ratio | 1000:1 |
| Brightness | 350 nits |
| Viewing Angle | -85~85; -80~80 |
| Max Colors | 16.7M |

System Specification

| | |
|------------------|--|
| CPU | Intel® Core i5-7200U Kaby Lake 2.5GHz |
| System Chipset | Intel® SoC Integrated |
| System Memory | 1 x DDR4-2133 , Default 4GB (Max 16GB) |
| Storage | 1 x M.2 B Key SATA III ,Default 64GB |
| BIOS | Insyde H20 BIOS |
| Audio | Realtek ALC283 HD Audio Codec |
| Network | Intel Gigabit-LAN Controller I211AT + PHY I219LM |
| Operating System | Windows 10 IoT Enterprise |

Interface

| | |
|--------------|---|
| Ethernet LAN | 2 x RJ-45 |
| COM | 1 x RS232/422/485 (Default RS232) 1 x RS232 (optional) |
| USB | 2 x USB 3.0 |
| Power Input | 1 x Power Input (Military Grade Connector) |
| HMDI | 1 x HDMI |

Audio

| | |
|---------|-------------|
| Speaker | 2 x speaker |
|---------|-------------|

Keyboard and Input

| | |
|------------------|--|
| Physical Buttons | 8 Key OSD Control Pad: - Power, Brightness DOWN, Brightness UP, Night, Day, Auto / Manual, Reset, Lock |
| LED Indicators | 3 x LED Indicator - Power status, HDD Status, Lock Status |
| Touch | 5 Wire Resistive |

Mechanical Specifications

| | |
|------------|---------------------------------------|
| Dimensions | 482 x 354 x 80 mm |
| Cutout | 449 x 336 mm |
| Weight | 8.5 kg |
| Housing | Metal Housing with Aluminum Bezel |
| Mounting | Rack Mount / Panel Mount / VESA Mount |

Power Management

| | |
|-------------------|---|
| Power Input | AC 110~240V (Default) DC 9~36V (Optional) |
| Power Consumption | 50W |

Environment

| | |
|-----------------------|----------------------------|
| Operating Temperature | -20°C ~ 60°C |
| Storage Temperature | -30°C ~ 70°C |
| Operating Humidity | 95%RH ±3% (non-condensing) |

Standards and Certification

MIL-STD 461E/F (Compliance)

| | |
|---------------------------------|---|
| RE | RE101 / RE102 |
| CE | CE101 / CE101 |
| Optional with EMI Glass / Touch | |
| RS | RS101 / RS103 |
| CS | CS101 / CS106 / CS109 / CS114 / CS115 / CS116 |

MIL-STD 810F/G (Compliance)

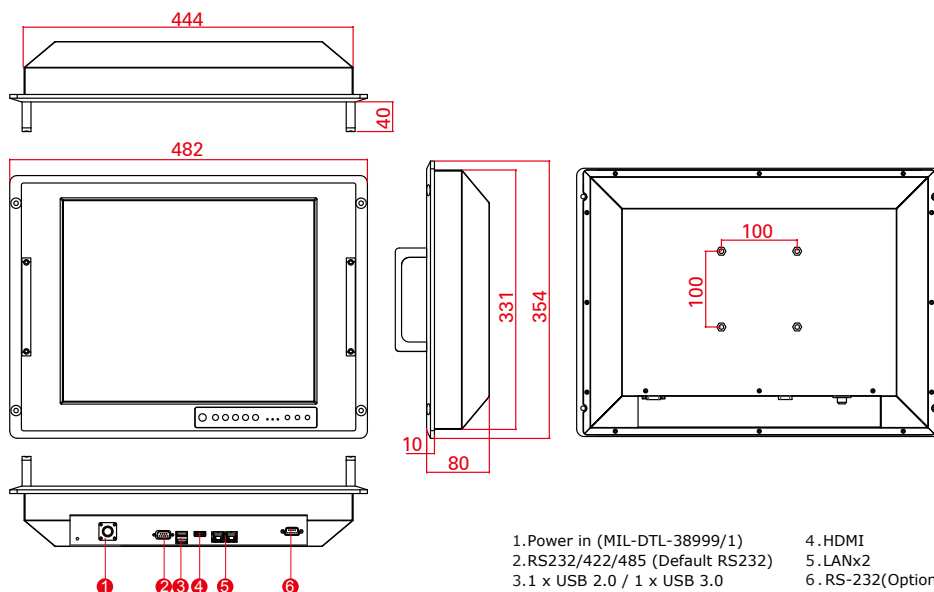
| | |
|--------------|-----------------------------|
| Vibration | MIL-STD-810F/G Method 514.5 |
| Humidity | MIL-STD-810F/G Method 507.4 |
| Transit Drop | MIL-STD-810F/G Method 516.5 |

Accessories

Standard Accessories

1 x Military Power cord

Drawing



Assured Systems

Assured Systems is a leading technology company with over 1,500 regular clients in 80 countries, deploying over 85,000 systems to a diverse customer base in 12 years of business. We offer high-quality and innovative rugged computing, display, networking and data collection solutions to the embedded, industrial, and digital-out-of-home market sectors.

US

sales@assured-systems.com

Sales: +1 347 719 4508
Support: +1 347 719 4508

1309 Coffeen Ave
Ste 1200
Sheridan
WY 82801
USA

EMEA

sales@assured-systems.com

Sales: +44 (0)1785 879 050
Support: +44 (0)1785 879 050

Unit A5 Douglas Park
Stone Business Park
Stone
ST15 0YJ
United Kingdom

VAT Number: 120 9546 28
Business Registration Number: 07699660