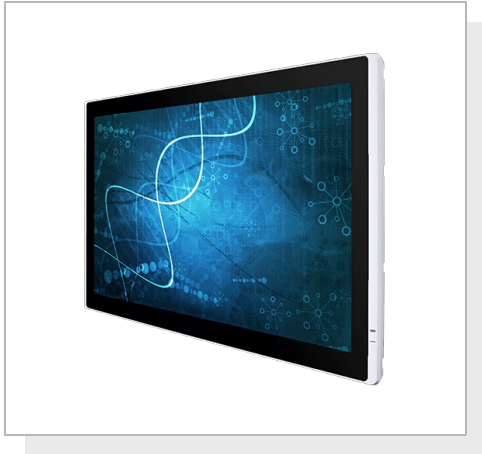


# W32L100-PTA3-ME

## 32" Multi-Touch Color Surgical Display



### KEY FEATURES

- 32" 1920 x 1080 medical grade touch display monitor
- Bottom side keys x 5
- Fanless and Ventless design, Easy-to-Clean medical grade monitors
- Support VGA, HDMI signal input
- Front IP65



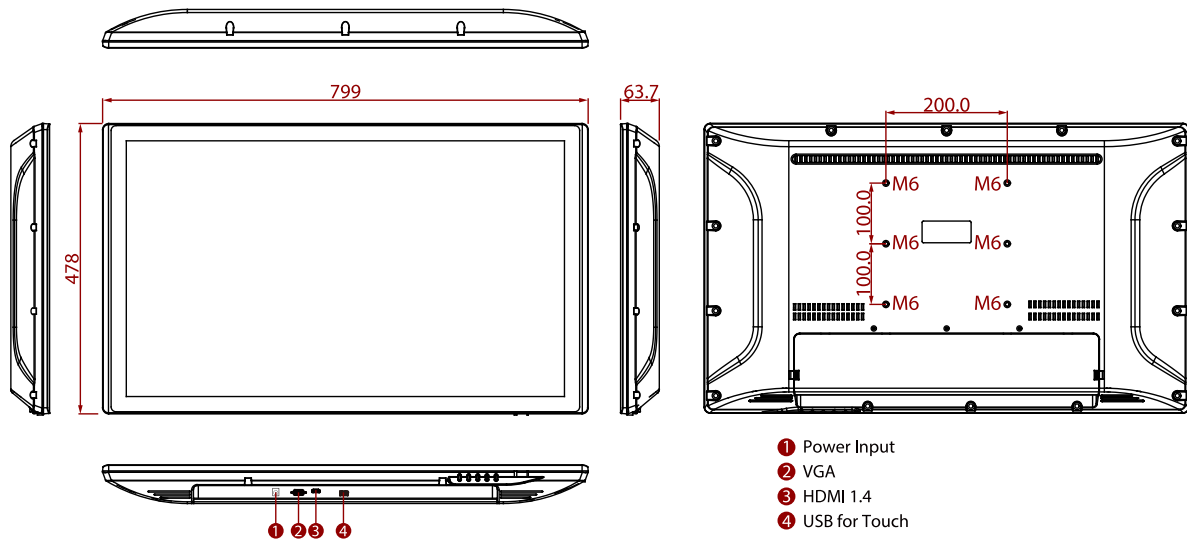
### SPECIFICATIONS

Display			
<b>Resolution</b>	1920x1080	<b>Size</b>	32.0 inches
<b>Contrast Ratio</b>	4000:1	<b>Panel Brightness</b>	400.0 nits
<b>Display Color</b>	16.7M Colors	<b>View Angles</b>	89,89,89,89
<b>Active Area</b>	698.4x392.85 mm	<b>Touch / Glass</b>	Projected Capacitive Multi Touch Screen
Environment			
<b>Operating Humidity</b>	10% to 90% RH, Non-Condensing	<b>Operating Temperature</b>	0°C to 35°C
<b>Storage Temperature</b>	-20°C to 60°C		
Certification			
<b>Certification</b>	CE, FCC		
Compliance			
<b>Compliance</b>	IEC 60601-1:2005 + A1:2012 (Ed. 3.1) IEC 60601-1-6:2010 + A1:2013 (Ed. 3.1) IEC 62366:2007 + A1:2014 (Ed. 1.1) ANSI/AAMI ES60601-1:2005/A1:2012 and C1:2009/(R)2012 and A2:2010/(R)2012 CAN/CSA-C22.2 No.60601-1:14 EN 60601-1-2:2015, IEC 60601-1-2:2014 (Ed. 4.0) EN 55032/EN 55024, FCC part 15B EN 62368-1:2014 RoHS-2, REACH, WEEE compliant		
IO Ports			
<b>USB Port</b>	1 x USB for Touch Screen	<b>Video</b>	1 x VGA 1 x HDMI
<b>Audio</b>	2 x Speaker		
Mechanical			
<b>Dimension</b>	799 x 478 x 63.7 mm	<b>Weight</b>	18.5 kg
<b>Mounting</b>	VESA Mount	<b>Enclosure</b>	Plastic
<b>Cooling System</b>	Fanless Design		
Accessory			
<b>Accessory</b>	1 x VGA cable	<b>Optional Accessory</b>	USB cable for Touch (Optional)

1 x HDMI cable  
100~240V AC to DC Adapter  
Power Cord  
Manual  
VESA screws  
Remote Controller

<b>Power</b>	
<b>Power Rating</b>	12V DC in 24V DC in (optional)
<b>Control</b>	
<b>Button</b>	5 Keys: -, +, Power, Esc, Enter

**DIMENSIONS** UNIT:MM



**NOTE**

1. This is a simplified drawing and some components are not marked in detail.
2. The product shown in this datasheet is a standard model. For diagrams that contain customized or optional I/O, please contact the Winmate Sales Team for more information.
3. All specifications are subject to change without prior notice.

## Assured Systems

Assured Systems is a leading technology company with over 1,500 regular clients in 80 countries, deploying over 85,000 systems to a diverse customer base in 12 years of business. We offer high-quality and innovative rugged computing, display, networking and data collection solutions to the embedded, industrial, and digital-out-of-home market sectors.

### US

[sales@assured-systems.com](mailto:sales@assured-systems.com)

Sales: +1 347 719 4508  
Support: +1 347 719 4508

1309 Coffeen Ave  
Ste 1200  
Sheridan  
WY 82801  
USA

### EMEA

[sales@assured-systems.com](mailto:sales@assured-systems.com)

Sales: +44 (0)1785 879 050  
Support: +44 (0)1785 879 050

Unit A5 Douglas Park  
Stone Business Park  
Stone  
ST15 0YJ  
United Kingdom

VAT Number: 120 9546 28  
Business Registration Number: 07699660