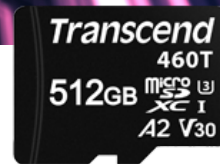




www.transcend-info.com

**Embedded Solutions**



microSD Cards

# microSDXC460T & 460I

Utilizing top-quality 3D NAND Flash and rated to endure 3K P/E cycles, Transcend's microSDXC 460T memory cards combine the advantages of high performance and exceptional endurance at an affordable price. They are ideal for write-intensive applications such as medical devices, surveillance systems, and POS terminals.

Transcend also offers the microSDXC 460I with wide temperature (-40°C ~ 85°C) capabilities to ensure sustained functionality and optimal reliability.

## Hardware Features

- Electrostatic protection (ESD IEC 61000-4-2)
- Compliant with Application Performance Class 2 (A2)
- Compliant with Video Speed Class 30 (V30)
- Endurance: 3K P/E cycles (Program/Erase cycles) guaranteed
- Compliant with SD specification 6.1

## Firmware Features

- Wear-Leveling
- Supports S.M.A.R.T. function to conduct health monitoring, analysis, and reporting for storage devices
- Early Move
- Built-in LDPC ECC (Error Correction Code) functionality

## Ordering Information

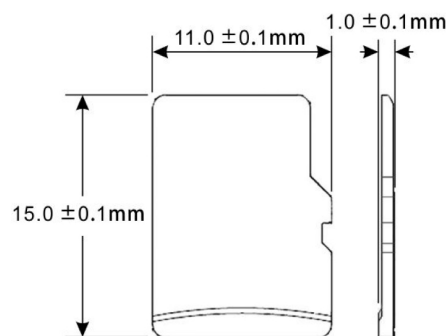
|       |                                |
|-------|--------------------------------|
| 64GB  | TS64GUSD460T<br>TS64GUSD460I   |
| 128GB | TS128GUSD460T<br>TS128GUSD460I |
| 256GB | TS256GUSD460T<br>TS256GUSD460I |
| 512GB | TS512GUSD460T                  |

\*Scope Pro is only available when used with the [RDF5](#) card reader.\*Transcend's microSDXC 460T & 460I 64GB cards meet UHS-I Speed Class 1 (U1), Video Speed Class 10 (V10), and Application Performance Class 1 (A1) standards.

## Specifications

|                              |   |  |                              |
|------------------------------|---|--|------------------------------|
| <b>Appearance</b>            | Dimensions  | 11 mm x 15 mm x 1 mm (0.43" x 0.59" x 0.04")   |                              |
|                              | Form Factor                                       | microSD flash card   |                              |
| <b>Storage</b>               | Flash Type  | 112-layer 3D NAND flash  |                              |
|                              | Capacity  | 64 GB / 128 GB / 256 GB / 512 GB   |                              |
| <b>Operating Environment</b> | Operating Voltage                                 | 2.7V ~ 3.6V  |                              |
|                              | Drop Test   | 1.5m free fall   |                              |
|                              | Operating Temperature                             | Standard Temp.   | -25°C (-13°F) ~ 85°C (185°F) |
|                              |   | Wide Temp.   | -40°C (-40°F) ~ 85°C (185°F) |
|                              | Storage Temperature                               | -40°C (-40°F) ~ 85°C (185°F)   |                              |
|                              | Humidity  | 0% ~ 95%   |                              |
|                              | Shock   | Acceleration: 490 m/s <sup>2</sup> (standard holding time: 11 ms, semi-sine wave, velocity change: 3.44 m/s) |                              |
| Vibration (Operating)        | 20 G (peak-to-peak), 20 Hz ~ 2,000 Hz (frequency) |  |                              |
| <b>Power</b>                 | Power Consumption (Max.)                          | 0.5 watt(s)  |                              |
| <b>Performance</b>           | Read Speed (Max.)                                 | up to 100 MB/s   |                              |
|                              | Write Speed (Max.)                                | up to 80 MB/s  |                              |
|                              | Terabytes Written (TBW)                           | up to 1343 TBW   |                              |
| <b>Warranty</b>              | Certificate                                       | CE / FCC / UKCA  |                              |
|                              | Warranty  | Three-year Limited Warranty  |                              |

## Mechanical Dimensions



Product specifications are subject to change without notice. Pictures shown may differ from actual products. Total accessible capacity varies depending on operating environment. Due to the complexity and variety of industrial applications, Transcend cannot guarantee 100% compatibility with all platforms and under all scenarios. For special applications and environments, it is strongly suggested that you contact Transcend beforehand for clarification.

## Assured Systems

Assured Systems is a leading technology company with over 1,500 regular clients in 80 countries, deploying over 85,000 systems to a diverse customer base in 12 years of business. We offer high-quality and innovative rugged computing, display, networking and data collection solutions to the embedded, industrial, and digital-out-of-home market sectors.

### US

[sales@assured-systems.com](mailto:sales@assured-systems.com)

Sales: +1 347 719 4508  
Support: +1 347 719 4508

1309 Coffeen Ave  
Ste 1200  
Sheridan  
WY 82801  
USA

### EMEA

[sales@assured-systems.com](mailto:sales@assured-systems.com)

Sales: +44 (0)1785 879 050  
Support: +44 (0)1785 879 050

Unit A5 Douglas Park  
Stone Business Park  
Stone  
ST15 0YJ  
United Kingdom

VAT Number: 120 9546 28  
Business Registration Number: 07699660