

NISE 3600E

3rd Generation Intel® Core™ i5/i3
Fanless System with one PCIe4 Expansion



Main Features

- Support 3rd generation Intel® Core™ i5/ i3 rPGA socket type processor
- Mobile Intel® QM77 PCH
- Support 1x 2.5" SATA HDD or 2x SATA DOM
- 1x VGA, 1x DVI-D and 2x Display port with Independent Display support
- Dual Intel® GbE LAN ports
- 4x USB 3.0, 2x USB 2.0, 5x RS232 and 1x RS232/422/485
- 1x PCIe4 Expansion and 1x external CFast socket
- Support 9V~30V DC input
- Support ATX power mode and WoL

Product Overview

Integrated with 3rd generation Intel® Core™ i5/i3 with QM77 PCH platform, NISE series evolve to a new generation called NISE 3600E. It is not only sustained its good reputation on quality and user friendly features but also innovated its mechanical design.

With computing and graphic performance enhancement, NISE 3600E supports 2x display port, 1x VGA port and 1x DVI-D port to fulfill the graphic-intensive or computing oriented applications, including Auto Optical Inspection, Machinery Automation, ePolice infotainment, Surveillance or Image Processing equipments and Healthcare industry. In addition, NISE 3600E offers 4x USB 3.0 and 2x USB 2.0, greater expansion capability with 2x PCIe4, 2x Intel® GbE LAN ports, 6x COM ports, and 1x external CFast socket for front accessible availability. NISE 3600E is sufficient to support wide range of DC input from 9~30V, ATX power mode and WoL; it is a new generation to meet most application requirements.

Specifications

CPU Support

- Support 3rd generation Intel® Core™ i5/i3 rPGA Socket Type Processor
 - Core™ i5-3610ME, Dual Core, 2.7GHz, 3M Cache
 - Core™ i3-3120ME, Dual Core, 2.4GHz, 3M Cache
 - Support Three Independent Display with above processors
- Support 2nd generation Intel® Core™ i5/i3 rPGA Socket Type Processor
 - Core™ i5-2510E, Dual Core, 2.5GHz, 3M Cache
 - Celeron® B810, Dual Core, 1.6GHz, 2M Cache
 - Support Dual Independent Display with above processors

Main Memory

- 2x DDR3 SO-DIMM socket, supports up to 8GB DDR3/ DDR3L 1333/ 1600 SDRAM, with un-buffered and non-ECC

Display Option

- Three Independent Display (only support on 3rd Generation Processor)
 - Two Display Port and 1x VGA
 - Two Display Port and 1x DVI-D
- Dual Independent Display
 - VGA and DVI-D
 - Display Port and VGA
 - Display Port and DVI-D

I/O Interface-Front

- ATX power on/ off switch
- HDD Access/ Power status LEDs
- 2x USB3.0 ports (Blue Color)
- 2x Display Port (Can be converted to DVI-D or HDMI via cables)
- 2x Antenna holes
- 1x external CFast (optional)

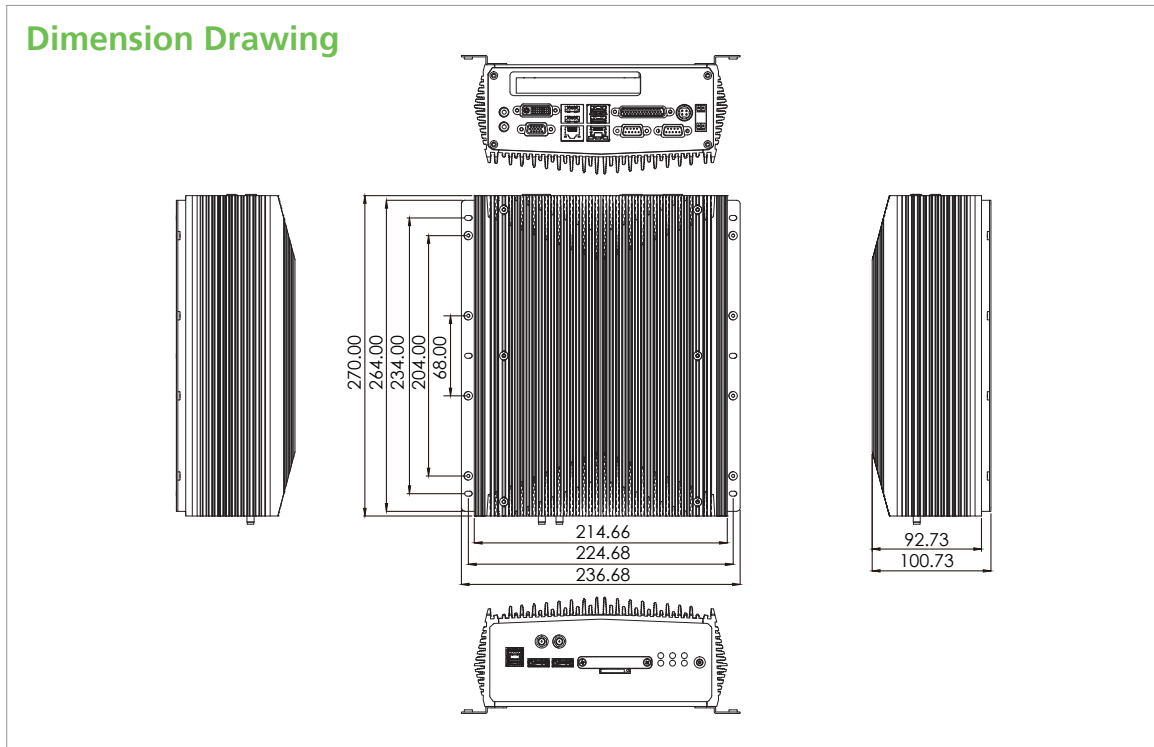
I/O Interface-Rear

- 2x DB9 for COM5 & COM6 (RS232)
- 1x DB44 Serial Port, 4x COM port
 - COM1/COM3/COM4: RS232
 - COM2: RS232/422/485
- 2x Intel® GbE LAN ports (Intel 82574L and 82577LM)
- 2x USB2.0 ports
- 2x USB3.0 ports (Blue Color)
- 1 x DB15 VGA port
- 1 x DVI-D port
- 1 x Line-out and 1x Mic-in
- 2-pin Remote Power on/ off switch
- 9~30V DC input

www.nexcom.com



Dimension Drawing



Storage Device

- 1x CFast socket
- 1x 2.5" SATA HDD or 2x SATA DOM
- SATA DOM: support 90 degree horizontal type only

Expansion Slot

- 1x PCIe4 Expansion Slot
 - Add-on card length: 169mm max.
 - Power consumption: 10W/slot max.
- 1x miniPCIe socket (support optional WiFi or 3.5G module)

Power Requirements

- ATX power mode
- On-board DC to DC power support from 9V to 30V DC
- Optional power adapter

Dimensions

- 215mm (W) x 272mm (D) x 93mm (H) without wall mount bracket

Construction

- Aluminum Chassis with fanless design

Environment

- Operating temperature:
 - Ambient with air flow: -5°C ~ 55°C
 - (According to IEC60068-2-1, IEC60068-2-2, IEC60068-2-14)

- Storage temperature: -20°C ~ 80°C
- Relative humidity: 95% at 40 degree C
- Shock protection: 20G, half sine, 11ms, IEC60068-2-27
- Vibration protection
 - Random: 0.5Grms @5~500 Hz according to IEC68-2-64
 - Sinusoidal: 0.5Grms @5~500 Hz according to IEC68-2-64

Certifications

- CE approval
- FCC

Ordering Information

Barebone

- **NISE 3600E (P/N: 10J00360000X0) RoHS Compliant**
3rd Generation Intel® Core™ i5/i3 Fanless System with one PCIe4 Expansion
- **19V, 120W AC/DC power adapter w/o power core (P/N: 7410120002X00)**

Assured Systems

Assured Systems is a leading technology company with over 1,500 regular clients in 80 countries, deploying over 85,000 systems to a diverse customer base in 12 years of business. We offer high-quality and innovative rugged computing, display, networking and data collection solutions to the embedded, industrial, and digital-out-of-home market sectors.

US

sales@assured-systems.com

Sales: +1 347 719 4508
Support: +1 347 719 4508

1309 Coffeen Ave
Ste 1200
Sheridan
WY 82801
USA

EMEA

sales@assured-systems.com

Sales: +44 (0)1785 879 050
Support: +44 (0)1785 879 050

Unit A5 Douglas Park
Stone Business Park
Stone
ST15 0YJ
United Kingdom

VAT Number: 120 9546 28
Business Registration Number: 07699660