

Iiyama

PROLITE TF2738MSC-B1



27" 10pt open frame touch monitor with edge-to-edge glass

With 1920x1080 Full HD resolution and Projective Capacitive 10 point touch technology, the ProLite TF2738MSC-B1 delivers seamless and accurate touch response. Featuring AMVA+ LED LCD Screen technology, it offers exceptional colour performance and wide viewing angles. Its rugged bezel with edge-to-edge glass makes it very suitable for applications like table top integration. In addition, the screen comes with an IPX1 rating, making it water resistant from the front. Equipped with speakers and triple digital input (DVI, HDMI and DisplayPort). The ProLite TF2738MSC-B1 is an ideal screen for kiosk integrators and a perfect solution for Interactive Digital Signage, Instore Retail, Gaming and Interactive Presentations.



AMVA+

AMVA+ Panel technology offers 24 bit 'True Colour' performance and amazing viewing angles.



Touch technology - Capacitive

This technology uses a sensor-grid of micro-fine wires integrated into the glass that covers the screen. Touch is detected because electrical characteristics of the sensor grid change when human finger is placed on the glass. Thanks to the glass overlay this technology is highly durable, and the touch function remains unaffected even if the glass is scratched. It offers perfect picture performance and will work with human finger (also latex gloved) and stylus-pen.

01 DISPLAY CHARACTERISTICS

Design	Open Frame
Diagonal	27", 68.6cm
Panel	AMVA+ LED
Native resolution	1920 x 1080 (2.1 megapixel Full HD)
Aspect ratio	16:9
Brightness	300 cd/m ² typical
Brightness	255 cd/m ² with touch
Static contrast	3000:1 typical
Light transmittance	85%
Advanced contrast	12M:1
Response time	5ms
Viewing zone	horizontal/vertical: 178°/178°, right/left: 89°/89°, up/down: 89°/89°
Colour support	16.7mIn 8bit (6bit + Hi-FRC)
Horizontal Sync	30 - 80KHz
Vertical Sync	55 - 75Hz
Viewable area W x H	597.6 x 336.2mm, 23.5 x 13.2"
Pixel pitch	0.311mm
Bezel colour and finish	black, matte

02 TOUCH

Touch technology	projective capacitive
Touch points	10 (HID, only with supported OS)
Touch method	stylus, finger, glove (latex)
Touch interface	USB
Supported operating systems	All iiyama monitors are Plug & Play and compatible with Windows and Linux. For details regarding the supported OS for the touch models, please refer to the driver instruction file available in the downloads section.

03 INTERFACES / CONNECTORS / CONTROLS

Digital signal input	DVI x1 HDMI x1 DisplayPort x1
Audio output	Speakers 2 x 3W
HDCP	yes

04 FEATURES

Max. non-stop operating time	20/7
Glass thickness	3.6mm
60950 Ball drop test	yes
Water and dust protection	IP1X (front)
OSD key lock	yes

05 GENERAL

OSD languages	EN, DE, FR, CN, RU, JP, NL, PL
---------------	--------------------------------

Control buttons	Menu, Scroll up/ Audio, Scroll down/ i-Style colour, Select/ Input select, Power
User controls	picture adjust (contrast, brightness, adv. contrast, ECO mode, OD) input select, audio adjust (volume, mute, audio input) colour adjust (cool, normal, warm, user colour, i-Style colour) information, manual image adjust (sharpness, video mode adjust, blue light reducer, X-res technology) setup menu (language select, OSD position, OSD time out, OSD background, opening logo, LED) memory recall
Blue light reducer	yes
Plug&Play	DDC2B

06 MECHANICAL

Orientation	landscape, portrait, face-up
Fanless design	yes
VESA mounting	100 x 100mm, 200 x 100mm

07 ACCESSORIES INCLUDED

Cables	power, USB, HDMI, mDP - DP, DP
Guides	quick start guide, safety guide

08 POWER MANAGEMENT

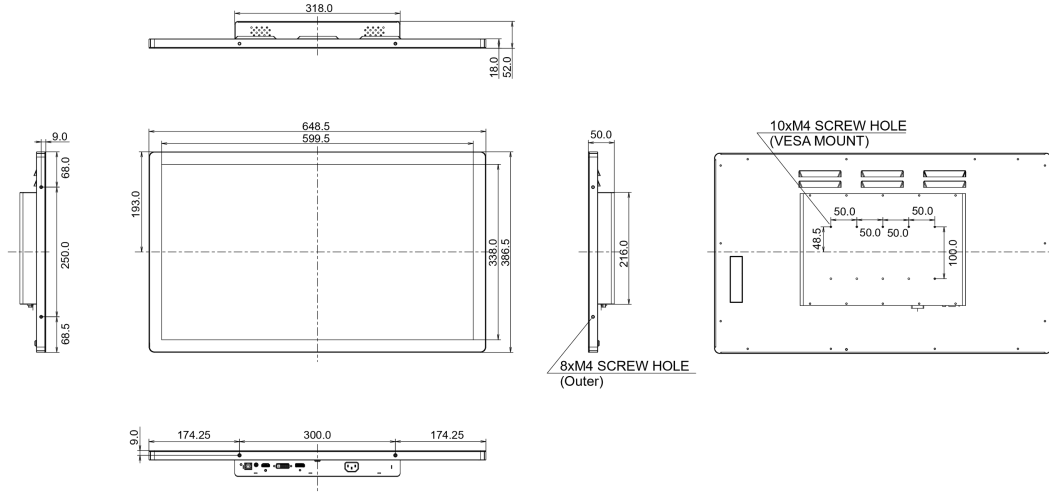
Power supply unit	internal
Power supply	AC 100 - 240V, 50/60Hz
Power usage	30W typical, 0.5W stand by, 0.5W off mode

09 SUSTAINABILITY

Regulations	CE, TÜV-Bauart, Energy Star , CU, cULus
Energy efficiency class	A
Other	REACH SVHC above 0.1%: Lead

10 DIMENSIONS / WEIGHT

Product dimensions W x H x D	648.5 x 386.5 x 50mm
Weight (without box)	7.7kg
EAN code	4948570115143



11 EU ENERGY EFFICIENCY LABEL

Manufacturer	iiyama
Model	ProLite TF2738MSC-B1
Energy efficiency class	A
Visible screen diagonal	68.6cm; 27"; (27" segment)
ON mode power consumption	30W
Annual energy consumption	44kWh/annum*
Power in Standby	0.5W stand by
Resolution	1920 x 1080

This is information under Regulation (EU) No 1062/2010.*Based on the power consumption of the television operating 4 hours per day for 365 days. The actual energy consumption will depend on how the television is used.

All trademarks and registered trademarks acknowledged. E & O E. Specification subject to change without notice. All LCD's comply with ISO-9241-307:2008 in connection with pixel defects.

© IIYAMA CORPORATION. ALL RIGHTS RESERVED

Assured Systems

Assured Systems is a leading technology company with over 1,500 regular clients in 80 countries, deploying over 85,000 systems to a diverse customer base in 12 years of business. We offer high-quality and innovative rugged computing, display, networking and data collection solutions to the embedded, industrial, and digital-out-of-home market sectors.

US

sales@assured-systems.com

Sales: +1 347 719 4508
Support: +1 347 719 4508

1309 Coffeen Ave
Ste 1200
Sheridan
WY 82801
USA

EMEA

sales@assured-systems.com

Sales: +44 (0)1785 879 050
Support: +44 (0)1785 879 050

Unit A5 Douglas Park
Stone Business Park
Stone
ST15 0YJ
United Kingdom

VAT Number: 120 9546 28
Business Registration Number: 07699660