

Linux-ready Arm9 System on Module M-501



Features

- ATMEL 180MHz AT91RM9200 CPU w/ MMU
- Linux kernel 2.6.14 with file system
- 64MB SDRAM and 16MB NOR Flash
- 1 x 10/100Mbps Ethernet
- 2 x USB 2.0 hosts supporting full speed of 12Mbps
- 1 x SD (secure digital) interface
- 4 x 921.6Kbps UARTs w/ hardware flow control
- External bus (A0-A7, D0-D7, RD, WR), with 4 x chip select
- Ultra-low power consumption, less than 2.5 Watts
- GNU C / C++ toolchain is included

■ H/W Specifications

CPU / Memory

- CPU: ATMEL 180MHz AT91RM9200 w/ MMU
- Memory: 64MB SDRAM, 16MB NOR Flash

Network Interface

- Type: 1 x 10/100Mbps Ethernet
- PHY: DAVIDCOM DM9161
- Protection: 1.5KV magnetic isolation

UART Interface

- Port 0: TXD0, RXD0, RTS0, CTS0, GND
- Port 1: TXD1, RXD1, RTS1, CTS1, DCD1, DTR1, DSR1, GND
- Port 2: TXD2, RXD2, RTS2, CTS2, GND
- Port 3: TXD3, RXD3, RTS3, CTS3, GND
- Signal Level: CMOS / 3.3V compatible

Common UART Parameters

- Baud Rate: Up to 921.6Kbps
- Parity: None, Even, Odd, Mark, Space
- Data Bits: 5, 6, 7, 8
- Stop Bits: 1, 1.5, 2
- Flow Control: RTS / CTS, XON / XOFF, None

UART Advanced Feature (When Used as RS-485)

- Supports 9-bit Multi-drop mode
- Supports hardware auto direction control

USB Ports

- Host Ports: 2, USB 2.0 compliant
- Host Signals: UdataA+, UdataA-, UdataB+, UdataB-

I2C(Inter-IC Bus)

- Signals: TWD, TWCK
- Supported Devices: Driver has been built-in

I2S (Inter-IC Sound)

- Transmitter Signals: TSCK, TWS, TSD
- Receiver Signals: RSCK, RWS, RSD

SPI (Serial Peripheral Interface)

- Signals: MISO, MOSI, SPCK, CS1, CS2

SD (Secure Digital Card Interface)

- Signals: MCCDA, MCCK, MCDA0-MCDA3
- Compatible with SD memory card specification 1.0

Watchdog Timer

- CPU built-in internal watchdog timer, used by Linux kernel

GPIO (General-purpose I/Os)

- 32 x GPIOs can be programmed as digital input or output
- Supports interrupt function when GPIOs are set as digital input
- Signal Level: CMOS / 3.3V compatible

Pre-defined Pins

- Reset Button (CN2, pin#35), input
- Buzzer (CN2, pin#37), output
- 2-pin DIP SW (CN2, pin#12, #13), input
- System ready LED (CN2, pin#38), output
- LAN activity LED (CN3, pin#11), output

Undefined Digital I/O Pins (Reserved)

- CN1: pin#23, #24, #25, #26
- CN3: pin#23, #24

Debug Ports

- Console Port: Tx / Rx serial console (share RTS2, CTS2)

Local Bus

- Data Bus: 8-bit (D0-D7)
- Address Bus: 8-bit (A0-A7)
- Chip Select: x 4 (CS3, CS4, CS5, CS6)
- Control Bus: RD, WR
- Signal Level: CMOS / 3.3V compatible

Power Requirement

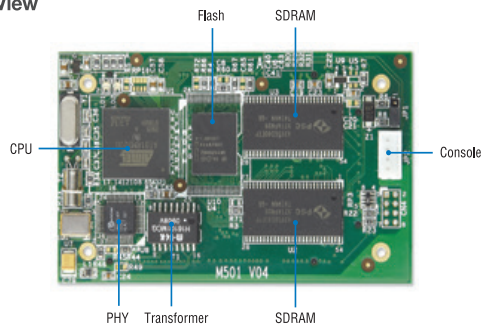
- Power Input: +3.3VDC (Typical)
- Power Consumption: 2W

General

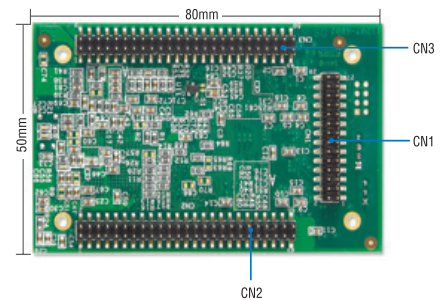
- Board Dimensions (W x L): 80 x 50mm
- 2.0mm Pitch Connectors
- CN1: 28 pins; CN2: 50 pins; CN3: 50 pins
- Mounting Holes: x 4, 2.0mm (M2) in diameter
- Operating Temperature:
 - M-501: 0~70°C (32~158°F)
 - M-501T: -20~80°C (-4~176°F)

Linux-ready Arm9 System on Module M-501

Front View



Rear View



■ S/W Specifications

General

- OS: Linux, kernel 2.6.14
- Boot Loader: U-Boot
- File Systems: JFFS2, ETX2, VFAT / FAT, NFS

Pre-installed Utilities

- bash, busybox, wget, boa, iptables, ppp, ssh, wireless_tools, Artila utility

Daemons Started by Default

- ssh (secured shell)
- syslog / klogd (system and kernel log)
- telnet server (disable root permission in /etc/security)
- ftp server (vsftpd)
- web server (lighttpd)
- amgrd (Artila broadcast search daemon)

Common UART Parameters

- Baud Rate: Up to 921.6Kbps
- Parity: None, Even, Odd, Mark, Space
- Data Bits: 5, 6, 7, 8
- Stop Bits: 1, 1.5, 2
- Flow Control: RTS / CTS, XON / XOFF, None

Toolchain for Linux

- GCC: C / C++ PC cross compiler
- GLIBC: POSIX Library

Standard Device Drivers

- SD / MMC, UART, Ethernet, GPIO, Buzzer
- Real-Time Clock (RTC): Supports Ricoh RS5C372
- EEPROM: Supports ATMEL AT24C16 and its compatibles

Pre-load USB Host Drivers (Could Be Customized)

- Generic Flash drive
- IEEE-802.11 WiFi adapter
- 10/100Mbps Fast Ethernet adapter
- RS-232 adapter
- ADSL modem
- ISDN modem (CDC / ACM compatible)

■ Ordering Information

M-501

- AT91RM9200 + Linux 2.6.14 System on Module with 64MB SDRAM, 16MB NOR Flash

M-501T

- AT91RM9200 + Linux 2.6.14 System on Module with 64MB SDRAM, 16MB NOR Flash, Wide-temp. Version

M-501 Starter Kit

- Includes one M-501 SoM and one carrier board with power circuitry, 3 x RS-232 ports, 1 x RS-232 / 422 / 485 port, 1 x Ethernet port, 2 x USB hosts, 1 x SD socket (at rear side), 2 x GPIO connectors, Real Time Clock, EEPROM, and local bus connector

Assured Systems

Assured Systems is a leading technology company with over 1,500 regular clients in 80 countries, deploying over 85,000 systems to a diverse customer base in 12 years of business. We offer high-quality and innovative rugged computing, display, networking and data collection solutions to the embedded, industrial, and digital-out-of-home market sectors.

US

sales@assured-systems.com

Sales: +1 347 719 4508
Support: +1 347 719 4508

1309 Coffeen Ave
Ste 1200
Sheridan
WY 82801
USA

EMEA

sales@assured-systems.com

Sales: +44 (0)1785 879 050
Support: +44 (0)1785 879 050

Unit A5 Douglas Park
Stone Business Park
Stone
ST15 0YJ
United Kingdom

VAT Number: 120 9546 28
Business Registration Number: 07699660